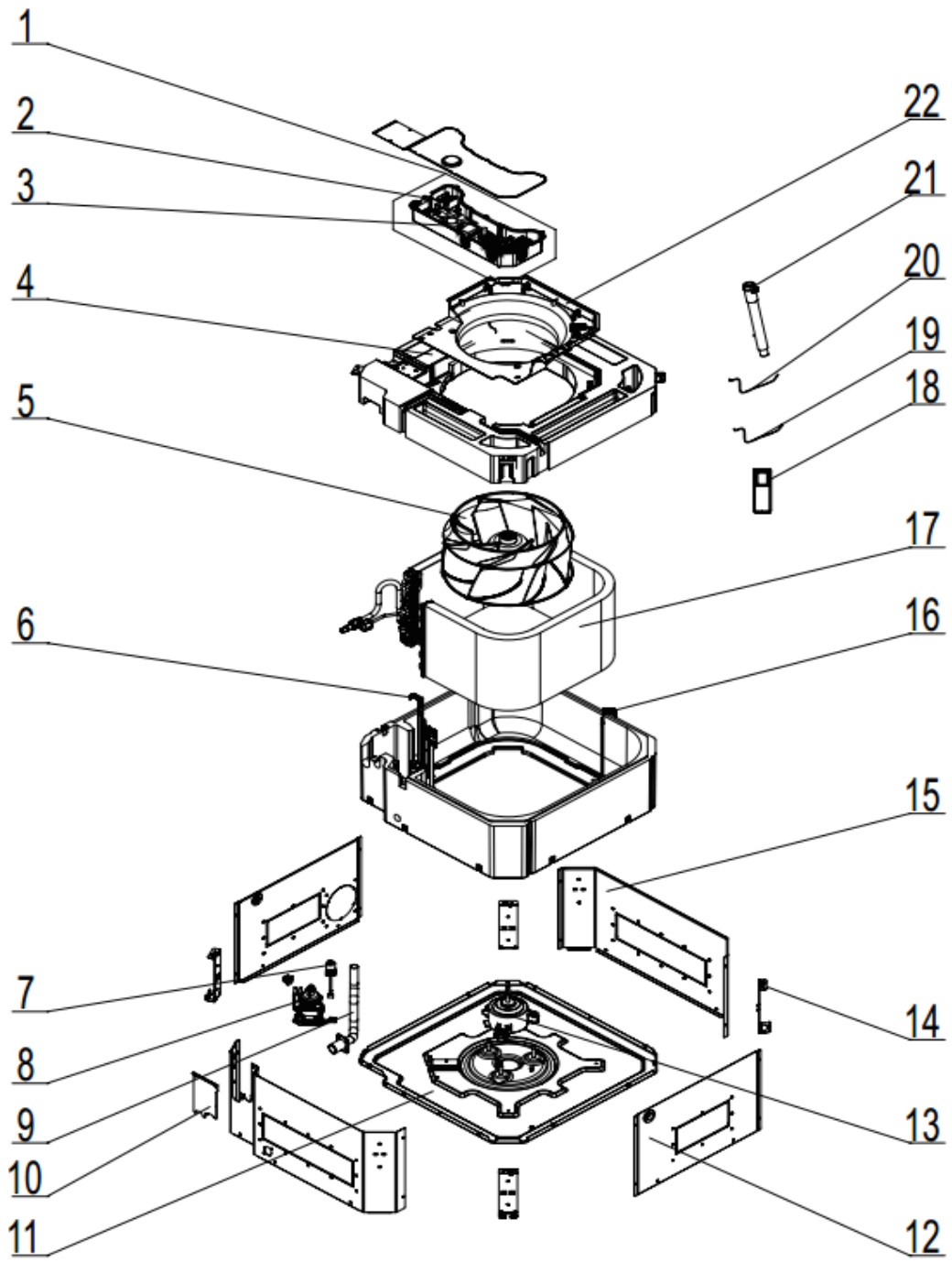


MV-C12BI2



No	Description	Part Code	Note	Qty	Price Code
<b>MODEL: MV-C12BI2</b>					
1	Electric Box Assy	100002071502		1	
2	Terminal Board	422000060015		1	AE
3	Main Board	300002061959		1	
4	Water Tray Assy	000069060065		1	AZ
5	Centifugal Fan	103003060008		1	AZ
6	Connection Sheet Sub-Assy	017025060047		1	AF
7	Water Level Switch	430024000005		1	
8	Water Pump	4313800005802		1	AV
9	Drain Pipe	200070060005		1	AL
10	Sealplate	012034060119		1	AD
11	Seat Board Sub-Assy	017080060023		1	AR
12	Side Plate	012010060177		1	AH
13	Brushless DC Motor	150104060012		1	BC
14	Mounting Rack Sub-Assy	017044060011		4	AD
15	Side Plate	012010060175		1	AK
16	Support	012060061048		1	AC
17	Evaporator Assy	011001061935		1	
18	Remote Control	305001060060		1	AP
19	Room Sensor	39000191		1	AD
20	Temperature Sensor	390001921		1	AD
21	Drain Hose Sub-Assy	007008000001		1	AG
22	Flow Guide Loop	200150060003		1	AF
	Jumper	4202021908			AA

The data are subject to change without notice.