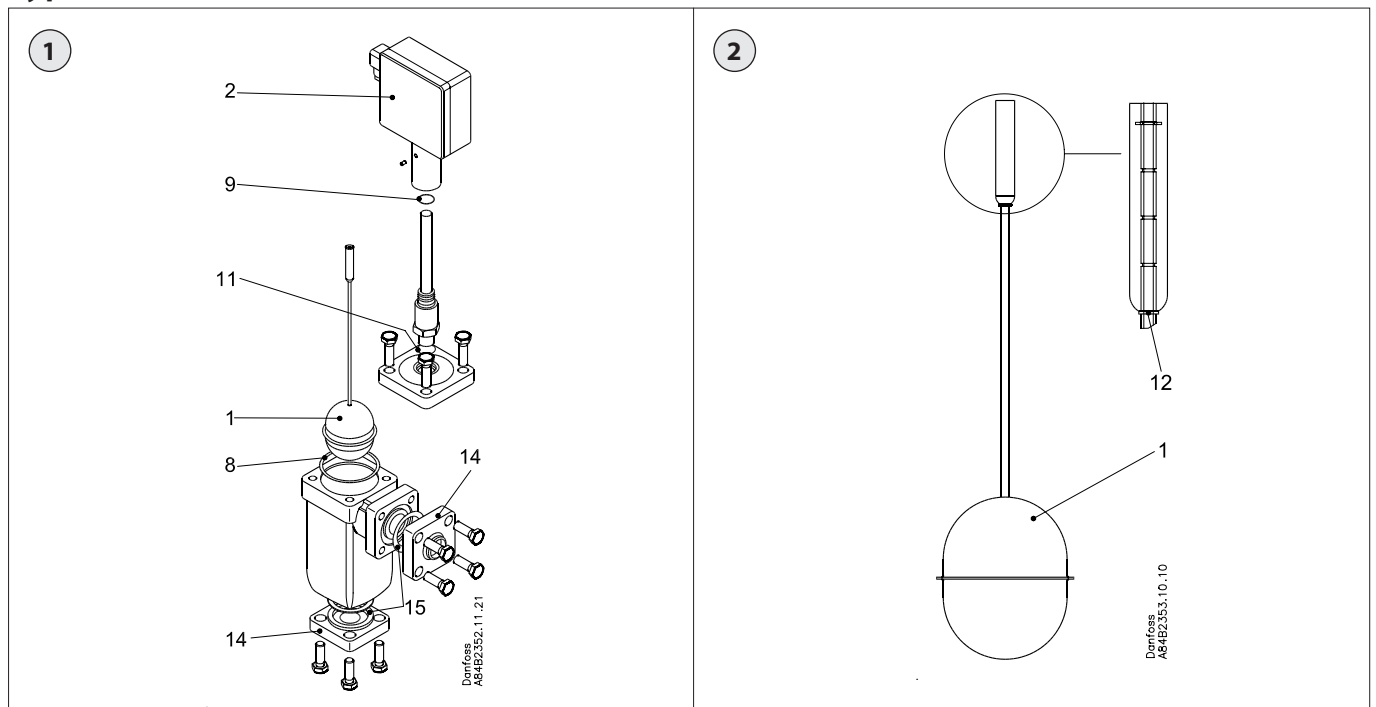


Data sheet – Spare parts and accessories

Liquid level switch
Type AKS 38



Description	Pos. #	Qty.	Code no.
Electrical switch box, fig. 1			
Switch box	2	1	148H3202
Internal float assembly, fig. 1 and Fig. 2			
Internal float assembly	1	1	148H3203
Locking ring for internal float	12	2	
Repair kit, fig. 1 and Fig. 2			
Top cover gasket	8	1	148H3200
O-ring for pressure tube	9	1	
Alu. gasket	11	1	
Flange gasket	15	2	
Locking ring for internal float	12	2	

Description	Pos. #	Qty.	Code no.
Flanges, fig. 1			
AKS 38 Butt Weld, DIN DN 25 (1 in.)	14	2	027N1026
AKS 38 Butt Weld, ANSI DN 25 (1 in.)	14	2	027N2023
AKS 38 Socket Weld, ANSI DN 20 (3/4 in.)	14	2	027N2012
KS 38 Socket Weld, ANSI DN 25 (1 in.)	14	2	027N2013
AKS 38 FPT, NPT DN 20 (3/4 in.)	14	2	027G1007

Please observe:
Same flanges as for NRVA 25 and NRVA 32