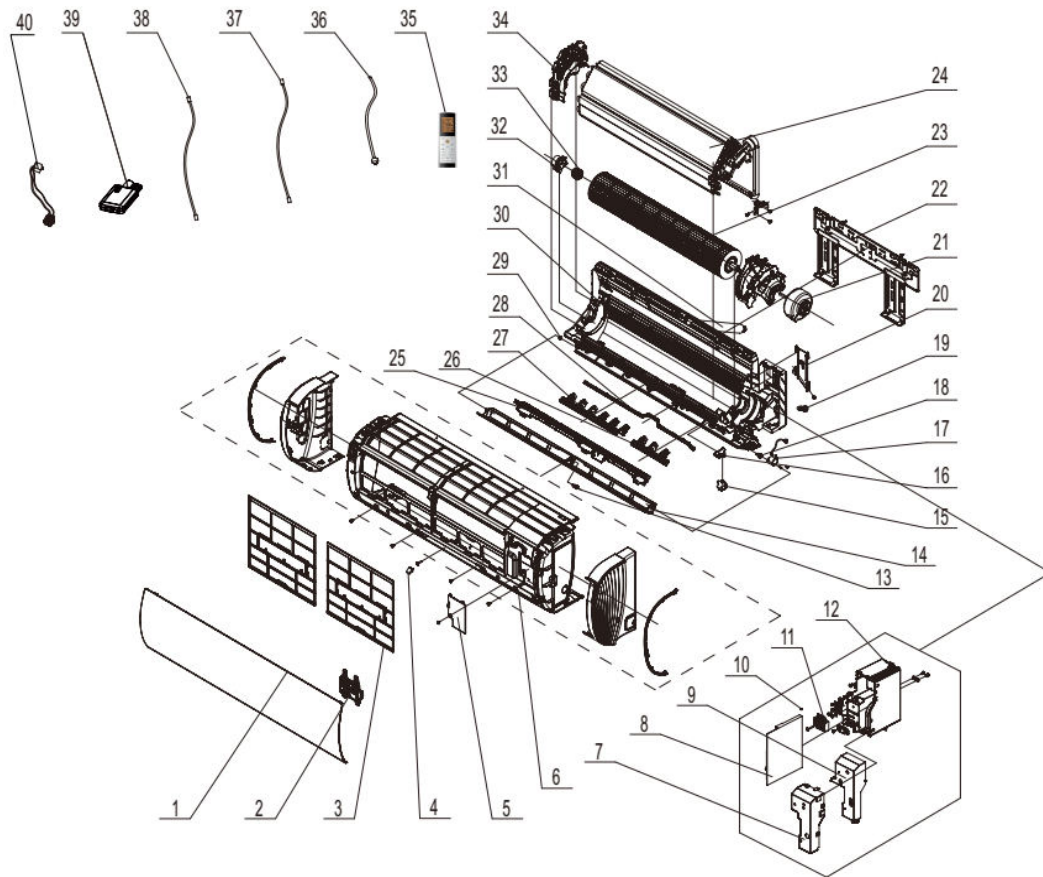


SIH-09BITC



No	Description	Part Code	Note	Qty	Price Code
MODEL: SIH-09BITC indoor unit					
1	Front Panel	27230016744	CHAMPAGNE	1	AQ
2	Display Board	300001060815		1	AL
3	Filter Sub-Assy	1112246803		2	AD
4	Screw Cover	242520179		1	AB
5	Shield Cover of Electric Box Cover Assy	01705306007501		1	AD
6	Front Case Assy	00000200004401	CHAMPAGNE	1	AV
7	Shield Cover of Electric Box Cover	01592150		1	AC
8	Main Board	300002062060		1	AV
9	Electric Box Cover	2011220701		1	AD
10	Jumper	4202021918		1	AA
11	Terminal Board	42011233		1	AE
12	Electric Box Assy	100002071816		1	
13	Axile Bush	10542036		1	AB
14	Guide Louver	20000400004901P	CHAMPAGNE	1	AG
15	Stepping Motor	1521210108		1	AG
16	Air Louver (Auto)	10512727	CHAMPAGNE	1	AB
17	Stepping Motor	1521210712		1	AF
18	Crank	73012005		1	AB
19	Rubber Plug (Water Tray)	76712012		1	AC
20	Connecting pipe clamp	2611216401		1	AB
21	Motor	1501214606		1	AV
22	Wall Mounting Frame	01252484		1	AK
23	Cross Flow Fan	10352056		1	AN
24	Evaporator Assy	011001060399		1	BA
25	Helicoid Tongue	26112436		1	AD
26	Air Louver (right)	10512726		1	AB
27	Air Louver (left)	10512725		1	AB
28	Swing Lever	10582459		1	AB
29	Left Axile Bush	10512037		1	AB
30	Rear Case assy	000001000076		1	AU
31	Drainage Hose	05230014		1	AD
32	Ring of Bearing	26152022		1	AC
33	O-Gasket sub-assy of Bearing	76512051		1	AC
34	Evaporator support	24212179		1	AC
35	Remote Control	305001060023		1	AR
36	Power Cord	-		-	
37	Connecting Cable	4002052317		1	AM
38	Connecting Cable	-		-	
39	Detecting plate	-		1	
40	Cold Plasma Generator	-		1	
-	Air Louver (Auto)	-		-	
-	Air Louver (Manual)	-		-	
-	Guide Louver	-		-	
-	Electric Box Cover2	-		-	
-	Indoor temp. sensors	3900031302		1	AE
-	Wi-Fi modul	30110144		1	AW
-	SAF-OPWC4	053511000000890			
-	SAF-OPWB4	053511000000900			

The data are subject to change without notice.