



## PM2 Gauges

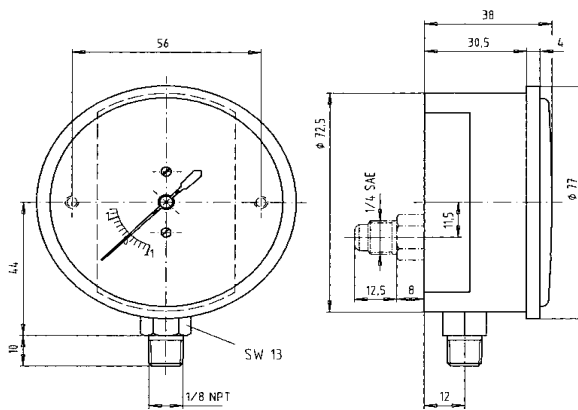
### Fiber glass Bellow-Gauges

The metal-bellow-type gauges are very sensitive and therefore absolutely accurate (class 1.0). These gauges are extremely over-pressure resistant. If for instance on a compound gauge with a range from -1 to 10 bar respectively -30 + 140 psi an overpressure of 25bar = 350 psi is applied the pointer will turn around 2 1/2 times.



### Features

Outside diameter	76 mm (3")
Connection	bottom, 1/8"NPT
Class	1
Housing	Fiber glass



Designation	Pressure scale			Temperature scale °C							Part No.	
	bar	kPa	psi	R12	R22	R502	R134a	R407C	R404A	R507		R410A
PM2-200-DS-R12	●		●	●	●	●						9886480
PM2-300-DS-R12	●		●	●	●	●						9886481
PM2-200-M-R134a	●						●		●	●		9886377
PM2-300-M-R134a	●						●		●	●		9886378
PM2-200-DS-R134a	●		●				●		●	●		9886465
PM2-300-DS-R134a	●		●				●		●	●		9886466
PM2-200-DS-R22	●		●		●		●		●			9884151
PM2-300-DS-R22	●		●		●		●		●			9884152
PM2-200-M-R407C	●						●	●	●			4411323
PM2-300-M-R407C	●						●	●	●			4411331
PM2-200-DS-R410A*	●		●								●	9884097
PM2-300-DS-R410A*	●		●								●	9884098
PM2-200-DS-CLIM	●		●		●			●			●	4679381
PM2-300-DS-CLIM	●		●		●			●			●	4679399

\*The low pressure range on the gauges for R410A is -1 to 36bar / -30 to 520psi, the high pressure range is -1 to 54 bar / -30 to 780psi