

## Data Sheet

Electric regulating valve  
Type **CCM**Expansion and gas bypass valve for CO<sub>2</sub>

The CCM is an electrically operated valve designed specifically for operation in CO<sub>2</sub> systems. The valve is capable of functioning both as an expansion valve, and as a gas bypass valve with back-pressure regulation in subcritical applications.

The pressure rating allows for operation in environments where system standby capability is required without the need for auxiliary cooling systems during servicing or power outages.

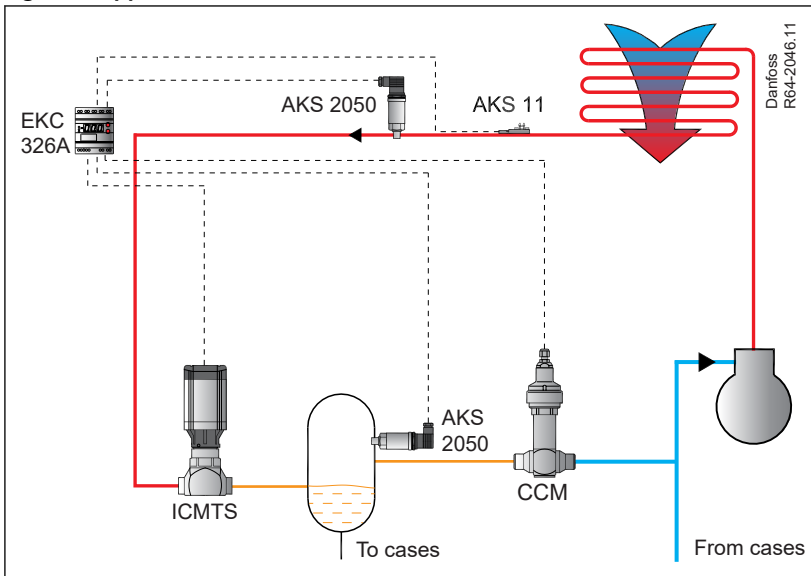
**Features:**

- Up to 90 bar (1305 psi) working pressure to accommodate CO<sub>2</sub> system pressures during standstill conditions.
- Precise positioning for optimal control of intermediate pressures in transcritical CO<sub>2</sub> systems or liquid injection in heat exchangers.
- MOPD up to 50 bar (725 psi).
- Combined stainless steel butt weld/solder connections for installation in copper piped systems (K65 alloy or standard) as well as steel piped systems.
- Standard M12 connector for simple and flexible connection to the motor driver.
- For manual operation and service of the CCM an AST-g service driver is available. For further information please contact Danfoss (Commercial Refrigeration and Air Conditioning Controls).
- UL recognized.

**Applications**

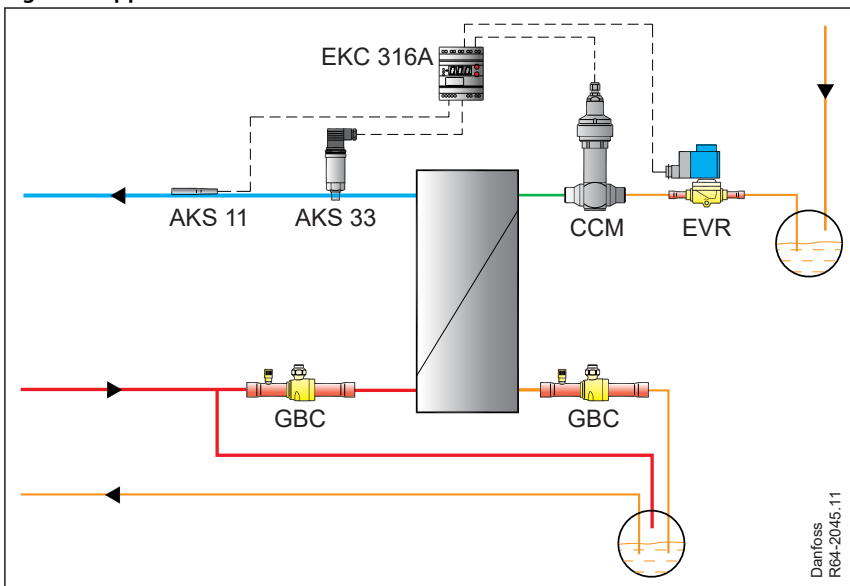
The CCM can be used in a variety of applications within CO<sub>2</sub> refrigeration systems. Typically it is used as a gas bypass valve in a transcritical CO<sub>2</sub> booster system or as an expansion valve.

**Figure 1: Application 1**



A gas bypass valve is typically used to regulate the intermediate pressure in a transcritical CO<sub>2</sub> refrigeration system. By venting flashgas generated after the transcritical expansion, the pressure can be kept at a safe level for all components situated in the liquid lines of a transcritical CO<sub>2</sub> system. For use in the gas bypass application the EKC326A controller is recommended.

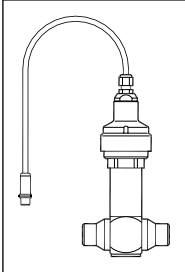
**Figure 2: Application 2**



A liquid expansion valve is typically used for injection in plate heat exchangers of CO<sub>2</sub>/CO<sub>2</sub> cascades, or as an expansion valve for CO<sub>2</sub> evaporators. For the liquid injection applications CCM is used with EKC 316A controller.

**Product specification**

**Technical data**



**Table 1: Technical data**

Parameter	CCM
Compatibility	R744
MOPD	50 bar (725 psi)
Max. working pressure (PS/MWP)	90 bar (1305 psi)
Refrigerant temperature range <sup>(1)</sup>	-40°C to 60°C (-40°F to 140°F)
Ambient temperature	-40°C to 60°C (-40°F to 140°F)
Material of construction	Stainless steel

<sup>(1)</sup> Measured at inlet of the valve

**Electrical data**

**Table 2: Electrical data**

Parameter	CCM	
Motor enclosure	IP 67	
Stepper motor type	Bi-polar - permanent magnet	
Step mode	2 phase full step	
Phase resistance	52Ω ±10%	
Phase inductance	85 mH	
Holding current	Depends on application Full current allowed (100% duty cycle)	
Step angle	7.5° (motor), 0.9° (lead screw), Gearing ration 8.5:1. (38/13)2:1	
Nominal voltage	(Constant voltage drive) 12 V dc -4% +15%, 150 steps/sec.	
Phase current	(Using chopper drive) 100 mA RMS -4% +15%,	
Max. total power	Voltage / current drive: 5.5 / 1.3 W (UL: NEC class 2)	
Step rate	150 steps/sec. (constant voltage drive) 0-300 steps/sec. 300 recommended (chopper current drive)	
Total steps	CCM 10, 20, 30 CCM 40	2625 [+160 / -0] steps 3530 [+160 / -0] steps
Total stroke	13 mm / 16 mm (0.5 in. / 0.6 in.)	
Full travel time	CCM 10, 20, 30 CCM 40	17 / 8.5 sec. (voltage / current) 23 / 11.5 sec. (voltage / current)
Lifting height	CCM 10, 20, 30 CCM 40	13 mm (0.5 in.) 16 mm (0.6 in.)
Reference position	Overdriving against the full close position	
Electrical connection	4 wire 0.5 mm <sup>2</sup> (0.02 in <sup>2</sup> ), 0.3 m (1 ft) long cable	

## Stepper motor switch sequence

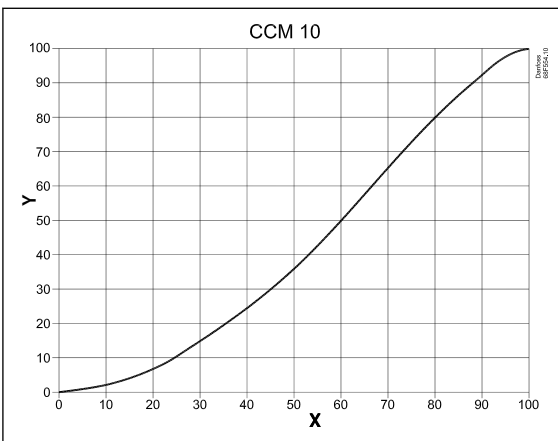
Table 3: Stepper motor switch sequence

CCM valve Connector				Cable plug	
	4	Black	4		
	3	White	3		
	2	Green	2		
	1	Red	1		
	Connection 1	Wire Color	Connection 2		
		Pin Out			

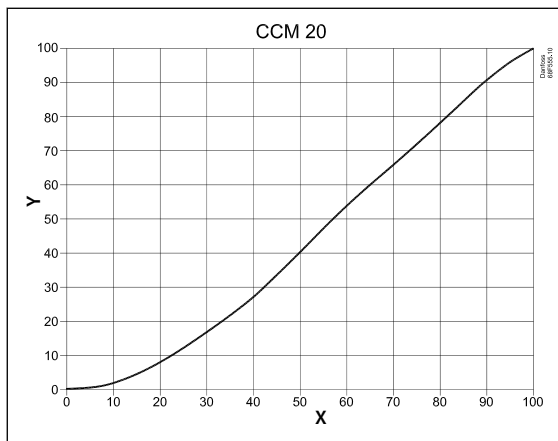
Table 4: Stepper motor switch sequence

	STEP	Coil I (B)		Coil II (A)		
		Red	Green	White	Black	
CLOSING	1	+	-	+	-	OPENING
	2	+	-	-	+	
	3	-	+	-	+	
	4	-	+	+	-	
	1	+	-	+	-	

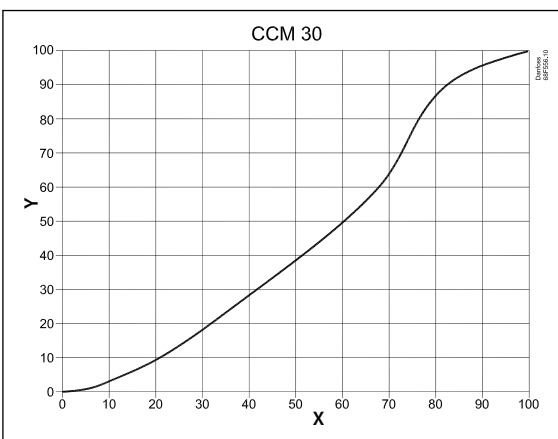
## Flow characteristics



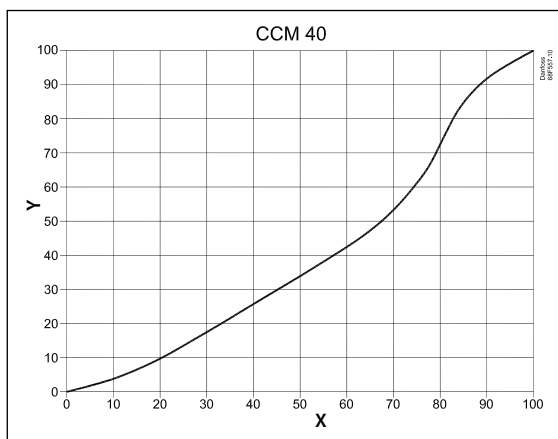
X Opening %  
Y % of capacity full open



X Opening %  
Y % of capacity full open



X Opening %  
Y % of capacity full open



X Opening %  
Y % of capacity full open

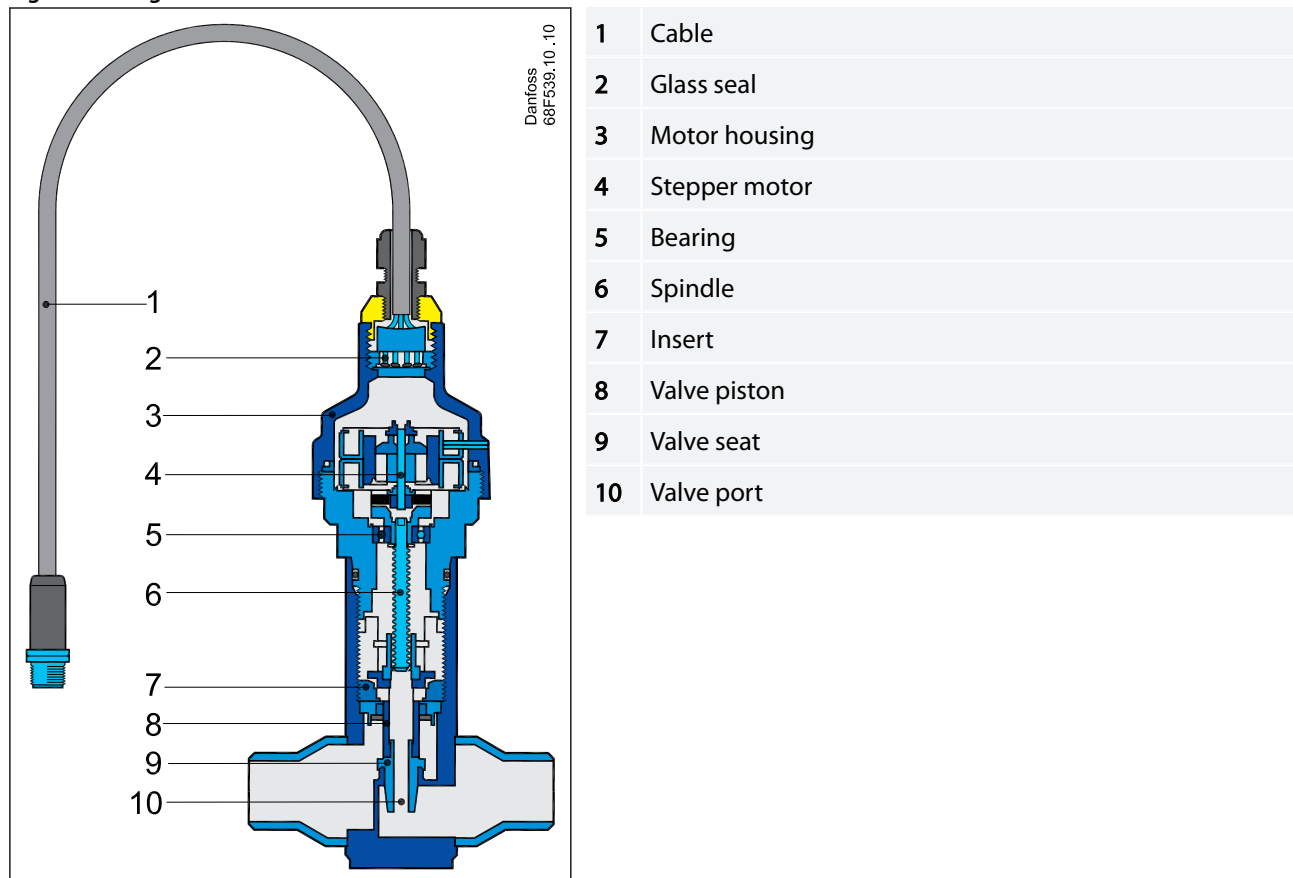
## Valve selection based on capacity calculation

As for extended capacity calculations and valve selection based on capacities and refrigerants, please refer to Coolselector®2. Rated and extended capacities are calculated with the Coolselector®2 calculation engine to ARI standards with the ASEREP equations based on laboratory measurements of selected valves.

Download Coolselector®2 for free at [coolselector.danfoss.com](http://coolselector.danfoss.com).

## Design and materials

Figure 3: Design and materials



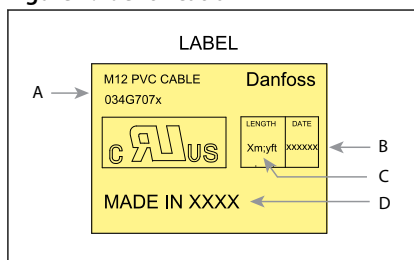
## M12 angle cable

M12 angle female connector is intended for use with a standard M12 male connector, available on stepper motor valves.

This cable is designed to offer high flexibility and small outer diameters with tensile strength. The angle way M12 cable consist of paired, twisted wires, which decreases mutual influence between signals transmitted along the cable and reduces influence of external sources of interference. The cables thus provides a higher degree of protection against lost steps compared to other cables.

## Identification

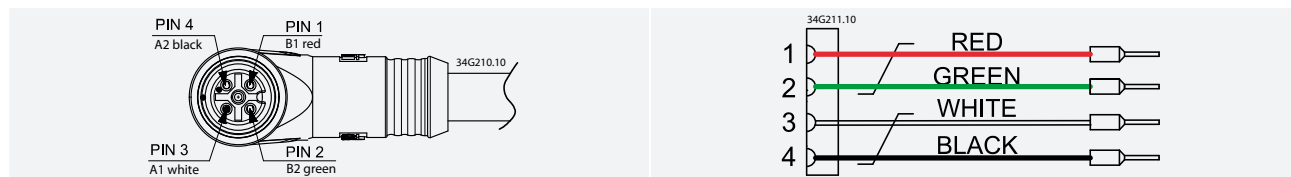
Figure 4: Identification



<b>A</b>	Product type Code no.
<b>B</b>	Manufacturing date
<b>C</b>	Meters/Feets
<b>D</b>	Country

## Connections

Table 5: Connections



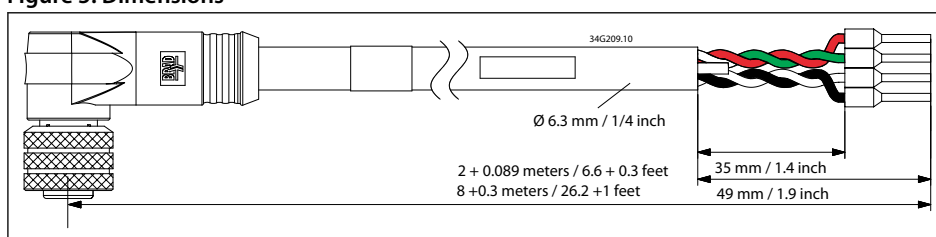
## Specification

Table 6: Specification

Features	Description
Jacket	PVC - black
Cable outer sheath	Oil - resistant
Water proof rating	IP 67
Operating temperature range	-40 – +80 °C
Wire type	Twisted pair, cross section 20 AWG / 0.5 mm <sup>2</sup>
Cable outer diameter	7.0 mm
Minimum bending radius	10 x cable diameter
Cable combustibility / test	Flame retardant / VW-1 / CSA FT - 1
M12 standard	EN 61076-2-101
Reference standard	UL style 2464 and DIN VDE 0812
LVD directive	73/23/EEC and 93/68/EEC

## Dimension and weight

Figure 5: Dimensions



Electric regulating valve, type CCM

Figure 6: Dimension and weight

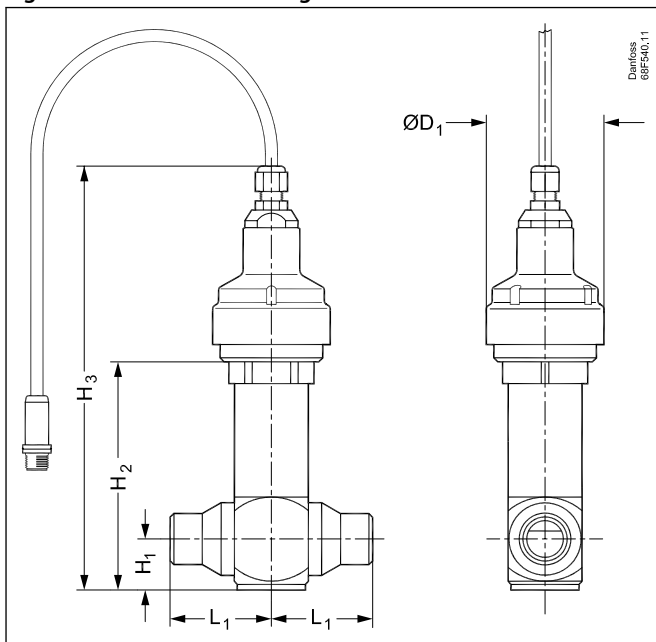


Table 7: Dimension and weight

Type	H1		H2		H3		L1		ØD1		Weight	
	mm	in.	mm	in.	mm	in.	mm	in.	mm	in.	kg	lb.
CCM	26.2	1	120	4.7	225	8.9	53	2.1	62	2.4	1.8	4

For further information please contact Danfoss

## Ordering

### Valve incl. actuator - Single pack

Table 8: Valve incl. actuator - Single pack

Type	K <sub>v</sub> m <sup>3</sup> /h	Connections (Combi)		Code nos single pack
		Weld <sup>(1)</sup> [in]	Solder ODF x ODF [in]	
CCM 10	0.8	1/2 x 1/2	5/8 x 5/8	027H7188
CCM 20	1.7	3/4 x 3/4	7/8 x 7/8	027H7187
CCM 30	2.5	1 x 1	1 1/8 x 1 1/8	027H7186
CCM 40	4.2	1 x 1	1 1/8 x 1 1/8	027H7185

<sup>(1)</sup> OD according to EN 10220

### Accessories

Table 9: Accessories

Type	Description	Code number
AST-G	Manual valve driver for service	034G0013

### Spareparts

Table 10: Spareparts

Type	Description	Code number
AST	Actuator for CCM CO2 valve	027H7184
-	O-ring spare part kit for CCM/CCMT (2 O-rings)	027H7230

### Ordering

Table 11: Ordering

Cable	Cable length (L)	Insulation	Packing format	Code no.
PVC - black	2 + 0.089 m / 6.6 +0.3 ft	SR-PVC	Single pack	034G7073
	8 + 0.3 m / 26.2 +1 ft	SR-PVC	Single pack	034G7074



## Certificates, declarations, and approvals

The list contains all certificates, declarations, and approvals for this product type. Individual code number may have some or all of these approvals, and certain local approvals may not appear on the list.

Some approvals may change over time. You can check the most current status at [danfoss.com](http://danfoss.com) or contact your local Danfoss representative if you have any questions.



## Online support

Danfoss offers a wide range of support along with our products, including digital product information, software, mobile apps, and expert guidance. See the possibilities below.

### The Danfoss Product Store



The Danfoss Product Store is your one-stop shop for everything product related—no matter where you are in the world or what area of the cooling industry you work in. Get quick access to essential information like product specs, code numbers, technical documentation, certifications, accessories, and more.

Start browsing at [store.danfoss.com](https://store.danfoss.com).

### Find technical documentation



Find the technical documentation you need to get your project up and running. Get direct access to our official collection of data sheets, certificates and declarations, manuals and guides, 3D models and drawings, case stories, brochures, and much more.

Start searching now at [www.danfoss.com/en/service-and-support/documentation](https://www.danfoss.com/en/service-and-support/documentation).

### Danfoss Learning



Danfoss Learning is a free online learning platform. It features courses and materials specifically designed to help engineers, installers, service technicians, and wholesalers better understand the products, applications, industry topics, and trends that will help you do your job better.

Create your Danfoss Learning account for free at [www.danfoss.com/en/service-and-support/learning](https://www.danfoss.com/en/service-and-support/learning).

### Get local information and support



Local Danfoss websites are the main sources for help and information about our company and products. Find product availability, get the latest regional news, or connect with a nearby expert—all in your own language.

Find your local Danfoss website here: [www.danfoss.com/en/choose-region](https://www.danfoss.com/en/choose-region).

### Coolselector®2 - find the best components for you HVAC/R system



Coolselector®2 makes it easy for engineers, consultants, and designers to find and order the best components for refrigeration and air conditioning systems. Run calculations based on your operating conditions and then choose the best setup for your system design.

Download Coolselector®2 for free at [coolselector.danfoss.com](https://coolselector.danfoss.com).