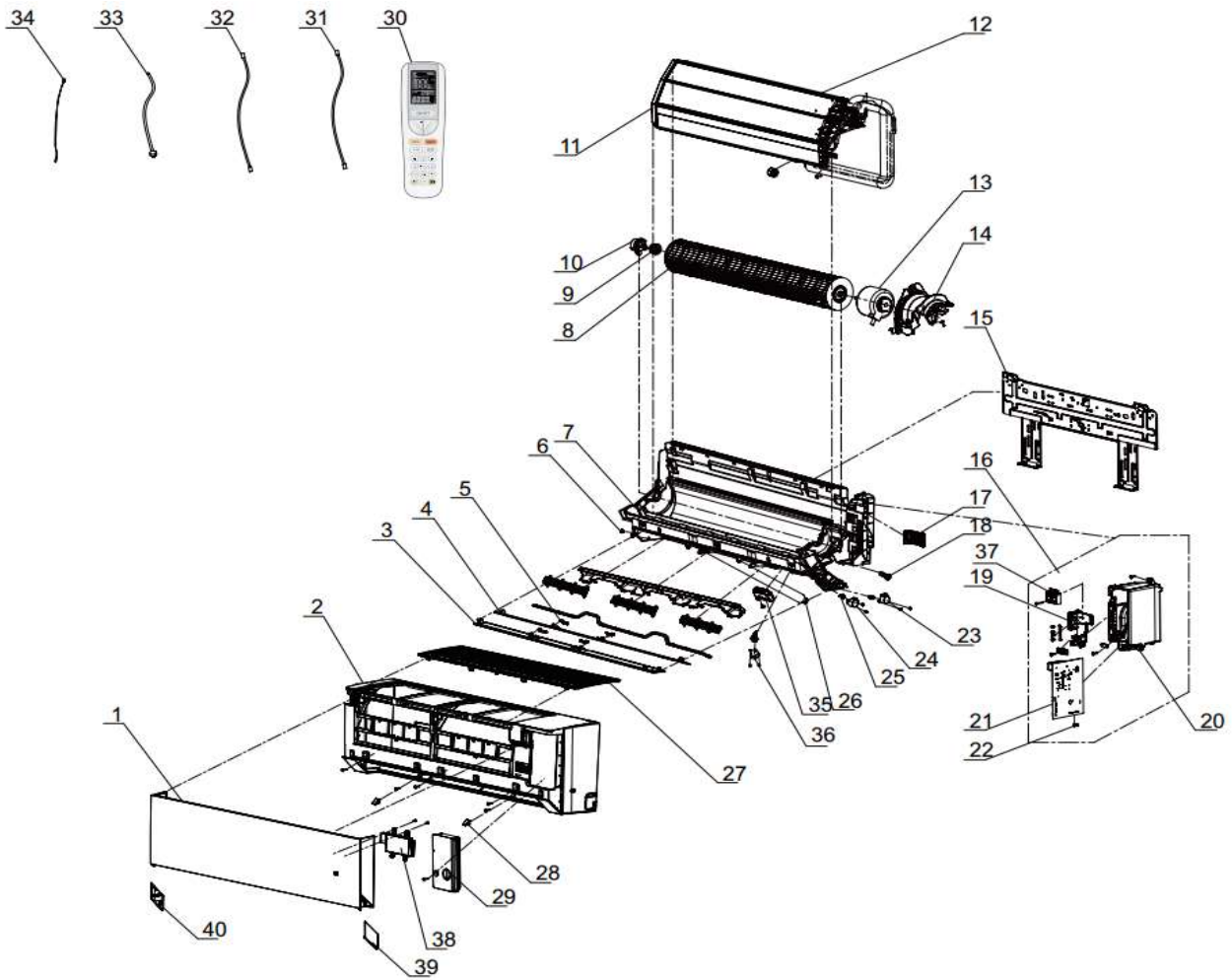


# SIH-24BIM INDOOR



No	Description	Part Code	Note	Qty	Price Code
<b>MODEL: SIH-24BIM (INDOOR)</b>					
1	Front Panel Assy	00000306073901_X68075		1	
2	Front Case Assy	00000206031901		1	
3	Guide Louver Sub-assy	00013606013801		1	
4	Guide Louver Sub-assy	00013606011805		1	
5	Plug Pin	20003306000206		4	
6	Left Axile Bush	10512037		2	
7	Rear Case	2220015302		1	
8	Cross Flow Fan	103001060017		1	
9	Ring of Bearing	26152022		1	
10	O-Gasket sub-assy of Bearing	76512051		1	
11	Evaporator Support	200025060012		1	
12	Evaporator Assy	011001060869		1	
13	Brushless DC Motor	15010406008801		1	
14	Motor Press Plate	200020060007		1	
15	Wall Mounting Frame Sub-assy	012043060008		1	
16	Electric Box Assy	100002076106		1	
17	Connecting pipe clamp	200017060004		1	
18	Rubber Plug (Water Tray)	76712012		1	
19	Supporter	200114060044		1	
20	Electric Box	200013060061		1	
21	Main Board	300002062882		1	
22	Jumper	4202021918		1	
23	SteppingMotor	1521210710		1	
24	Stepping Motor	1521210704		1	
25	Crank	200023060004		2	
26	Drainage Hose	05230014		1	
27	Filter Sub-Assy	11100106031401		1	
28	Screw Cover	20000506001701P02		2	
29	Electric Box Cover	200082060050		1	
30	Remote Controller	305001060159_X68075		1	
31	Connecting Cable	none		0	
32	Connecting Cable	4002052317		0	
33	Power Cord	none		0	
34	Temperature Sensor	3900031302		1	
35	Plasmacluster Ion	430001060002		1	

The data are subject to change without notice.