



pipe tie

Easy to fix and great for multiple pipework routes.



Channel



Rod



Surface

KEY FEATURES

- Quick fixing, lightweight and reusable
- Perfect for multiple pipework routes
- Wide tie width to protect pipe insulation
- Withstands maximum temperature of 70°C
- Available in 4 lengths
- Choice of white or black

SPECIFICATIONS

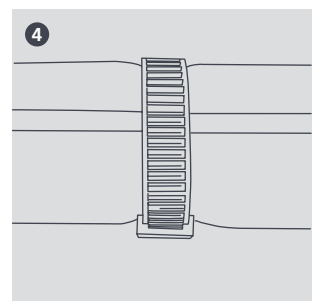
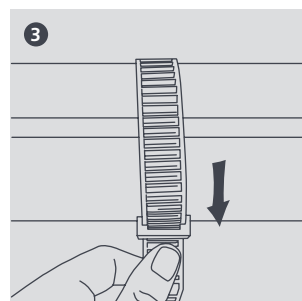
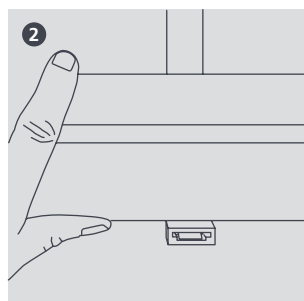
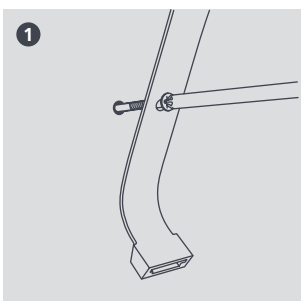
Materials of construction	LDPE
Max. temp	70°C
Max. rec. distance per clip	1.2m

SIZING OPTIONS

Description	Dimensions	Part No.	Pack Qty
T250 White	250 x 20mm	B6411	10
T250 Black	250 x 20mm	B6551	10
T300 White	300 x 20mm	B6412	10
T300 Black	300 x 20mm	B6552	10
T350 White	350 x 20mm	B6413	10
T350 Black	350 x 20mm	B6553	10
T400 White	400 x 20mm	B6414	10
T400 Black	400 x 20mm	B6554	10



For further details please refer to our website aspenpumps.com/xtra



Information correct at time of going to press.