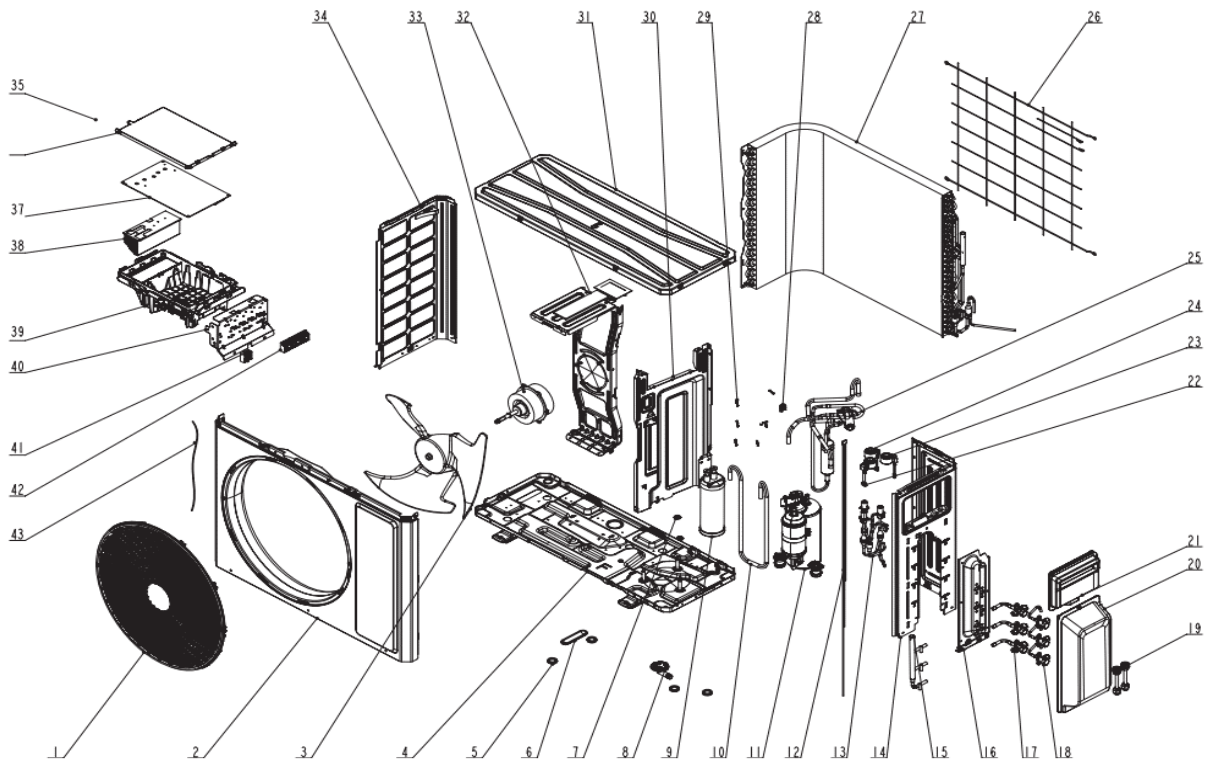


MV-E24B12



No	Description	Part Code	Note	Qty	Price Code
MODEL: MV-E24BI2 Outdoor unit					
1	Front Grill	200057060016		1	AG
2	Front Panel	012073061611P		1	
3	Axial Flow Fan	10335262		1	AL
4	Chassis Sub-assy	017000060715P		1	
5	Drainage hole Cap	06813401		4	AB
6	Drainage hole Cap	06813401		4	AB
7	Compressor Gasket	-			
8	Drainage Joint	26113009		1	AD
9	Gas-liquid Separator	07223048		1	AU
10	Inhalation Tube Sub-assy	030010061589		1	AP
11	Compressor and Fittings	009001060621		1	BN
12	Temperature Sensor	-			
13	Electronic Expansion Valve assy	030174060163		1	AZ
14	Right Side Plate	012056060436P		1	AP
15	Gas Separator Sub-assy	-			
16	Valve Support Sub-assy	030163060029		1	
17	Cut-off valve Sub-assy 3/8	071302391		1	AM
18	Cut-off valve Sub-assy 1/4	07130239		1	AG
19	Tube Connector Sub-assy	-			
20	Valve Cover	200087060007		1	AE
21	Cable Cross Plate	-			
22	Electric Expand Valve Fitting	07200206002312		1	AM
23	Electric Expand Valve Fitting	07200206002326		1	AM
24	Electric Expand Valve Fitting	07200206002327		1	AM
25	4-Way Valve Assy	030152060695		1	AX
26	Rear Grill	016001060085		1	
27	Condenser Assy	011002061647		1	BN
28	Sensor Clamp	-			
29	Sensor Insert	-			
30	Clapboard Sub-Assy	017021060671		1	
31	Top Cover Assy	00009706033301		1	AR
32	Motor Support	012048060145		1	
33	Brushless DC Motor	1501506409		1	AZ
34	Left Side Plate	012055060393P		1	AM
35	Electric Box Assy	100002072537		1	
36	Electric Box Cover	-			
37	Main Board	300027061734		1	BH
38	Radiator	-			
39	Electric Box	-			
40	Terminal Board Support Assy	-			
41	Terminal Board	-			
42	Terminal Board	-			
43	Connecting Cable	-			
/	Electrical Heater	765100049		1	AM
/	Left Handle	000223000018		1	AF
/	Temperature Sensor	3900007316		1	AG
/	Temperature Sensor	3900007319		1	AK
/	Temperature Sensor	3900007317		1	AG
/	Magnet Coil	4300040087		1	AH
/	Temperature Sensor	3900030901		1	AH
/	Bottom chassis heater	765100049		1	

The data are subject to change without notice.