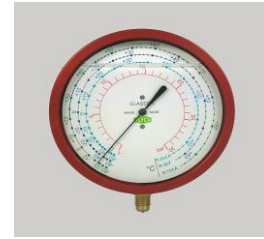




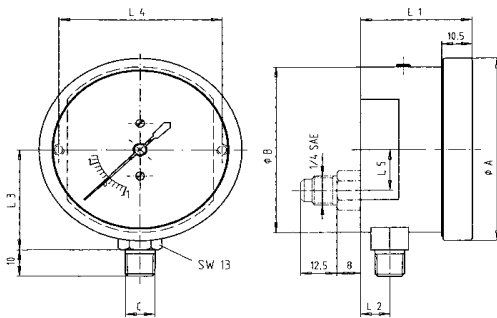
R3/5/7 Gauges

Bellow type gauges

A metal bellow type gauge is very sensitive and therefore much more accurate than a standard bourdon type gauge. The main benefit of a bellow type gauge is that it is extremely accurate and highly over-pressure resistant. The bellow type gauge is accurate within 1% around the gauge face and can withstand up to 2.5 times over-pressurization of the printed pressure scale without damage to the gauge. A bourdon tube gauge cannot withstand this type of over-pressurization.



Features	R3	R5	R7
Outside diameter	60 mm	80 mm	100 mm
Connection	bottom, 1/8"NPT	bottom, 1/8"NPT	bottom, 1/4" SAE
Class	1	1	1
Housing	Aluminium	Aluminium	Aluminium



Typ	φ A	φ B	C	L 1	L 2	L 3	L 4	L 5
R2+R3	69.5	63	1/8 NPT 1/4 SAE	38.5	10	38	56	15.5
R4+R5	90	83	1/8 NPT 1/4 SAE	39	10.5	48	70	15.5
R6+R7	112.5	105	1/4 SAE	39	10.5	59	90	15.5

Designation	Pressure scale			Temperature scale °C								Part No.	
	bar	kPa	psi	R12	R22	R502	R134a	R404A	R507	R407C	R410A		R744
R3-220-M-R12	●			●	●	●							9886351
R3-320-M-R12	●			●	●	●							9886352
R3-220-DS-R12	●		●	●	●	●							9886355
R3-320-DS-R12	●		●	●	●	●							9886356
R3-220-M-R134a	●						●	●	●				9886359
R3-320-M-R134a	●						●	●	●				9886360
R3-220-DS-R134a	●		●				●	●	●				9886365
R3-320-DS-R134a	●		●				●	●	●				9886366
R3-220-DS-R22	●		●		●		●	●					4458843
R3-320-DS-R22	●		●		●		●	●					4459025
R3-220-KPA-R22		●	●		●		●	●					9884531
R3-320-KPA-R22		●	●		●		●	●					9884532
R3-220-M-R407C	●						●	●		●			4409940
R3-320-M-R407C	●						●	●		●			4409958
R3-220-DS-R407C	●		●				●	●		●			4490496
R3-320-DS-R407C	●		●				●	●		●			4490500
R3-220-DS-R410A	●		●								●		4457049
R3-320-DS-R410A	●		●								●		4457057
R3-220-DS-CLIM	●		●		●					●	●		4664341
R3-320-DS-CLIM	●		●		●					●	●		4664359
R3-220-DS-CO2-30BAR	●		●									●	4682667
R3-320-DS-CO2-60BAR	●		●									●	4682676



Designation	Pressure scale			Temperature scale °C								Part No.	
	bar	kPa	psi	R12	R22	R502	R134a	R404A	R507	R407C	R410A		R744
R5-220-M-R12	●			●	●	●							9886367
R5-320-M-R12	●			●	●	●							9886368
R5-220-DS-R12	●		●	●	●	●							9886369
R5-320-DS-R12	●		●	●	●	●							9886370
R5-220-M-R134a	●						●	●	●				9886371
R5-320-M-R134a	●						●	●	●				9886372
R5-220-DS-R134a	●		●				●	●	●				9886366
R5-320-DS-R134a	●		●				●	●	●				9886365
R5-220-DS-R22	●		●		●		●	●					4490054
R5-320-DS-R22	●		●		●		●	●					4490062
R5-220-M-R407C	●						●	●		●			9886451
R5-320-M-R407C	●						●	●		●			9886452
R5-220-DS-R407C	●		●				●	●		●			9884598
R5-320-DS-R407C	●		●				●	●		●			9884599
R5-220-M-R410A	●										●		9884918
R5-320-M-R410A	●										●		9884919
R5-220-DS-R410A	●		●								●		4505841
R5-320-DS-R410A	●		●								●		4505850
R5-220-DS-CLIM	●		●		●					●	●		4664295
R5-320-DS-CLIM	●		●		●					●	●		4664302
R5-220-DS-CO2-30BAR	●		●									●	4666297
R5-320-DS-CO2-60BAR	●		●									●	4679195

Designation	Pressure scale			Temperature scale °C								Part No.	
	bar	kPa	psi	R12	R22	R502	R134a	R404A	R507	R407C	R410A		R744
R7-220-DS-R12	●		●		●	●	●						9886414
R7-320-DS-R12	●		●		●	●	●						9886415
R7-220-DS-R134a	●		●				●	●	●				9886422
R7-320-DS-R134a	●		●				●	●	●				9886423
R7-220-M-R407C	●						●	●		●			9884090
R7-320-M-R407C	●						●	●		●			9884091

19.06.2013

REFCO Manufacturing Ltd.
Industriestrasse 11
CH - 6285 Hitzkirch

Telefon + 41 41 919 72 82
Telefax + 41 41 919 72 83
info@refco.ch www.refco.ch

HVAC/R
Service Products