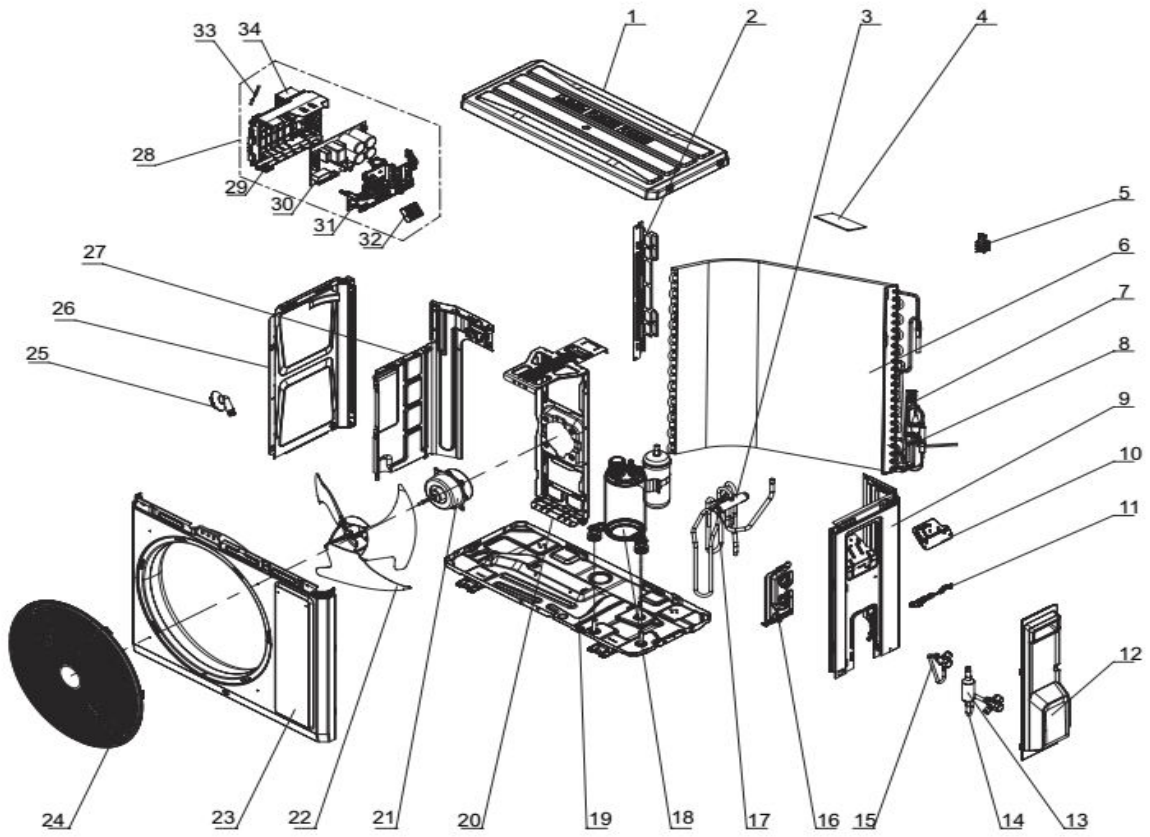


SOH-18BIK



No	Description	Part Code	Note	Qty	Price Code
MODEL: SOH-18BIK Outdoor unit					
1	Top Cover Assy	97060345		1	AN
2	Supporting Board(Condenser)	-			
3	4-way Valve	72007060013		1	AP
4	Sponge(Condenser)	12123091		1	AB
5	Temperature Sensor Support	24213042		1	AB
6	Condenser Assy	11002061702		1	BG
7	Capillary Sub-assy	-			
8	Sensor Insert	42020063		1	AD
9	Right Side Plate Assy	8106020201		1	
10	Earthing Plate Sub-assy	17246000004		1	
11	Wire Clamp	200015060019		1	AC
12	Handle Assy	-			
13	Silencer	35023000009		1	AG
14	Cut-off valve 3/8(N)	70001060029		1	AK
15	Cut-off valve 1/4(N)	70001060022		1	AG
16	Valve Support	012044060022P		1	AE
17	4-Way Valve Assy	30152060751		1	AU
18	Compressor and Fittings	9001060648		1	BF
19	Chassis Sub-assy	017000060636P		1	AR
20	Motor Support Assy	46060132		1	AW
21	Brushless DC Motor	1501308528		1	AU
22	Axial Flow Fan	10333428		1	AG
23	Cabinet	-			
24	Front Grill	200057060013		1	AF
25	Drainage Joint	26113009		1	AD
26	Left Side Plate	012055060342P		1	AK
27	Clapboard	12051060895		1	
28	Electric Box Assy	100002072470		1	BF
29	Reactor	-			
30	Main Board	300027061848		1	BD
31	Electric Box Cover	200082060058		1	AE
32	Terminal Board	422000060075		1	AE
33	Temperature Sensor	3900030907		1	AK
34	Radiator	430034060108		1	AL
/	Temp Sensor Sleeving	5212423		1	AC
/	Front Panle Assy	306052602		1	
/	Strainer A	7210022		1	AD
/	Electric Box	20001306007301		1	
/	Handle (Right)	200149060023		1	AE

The data are subject to change without notice.