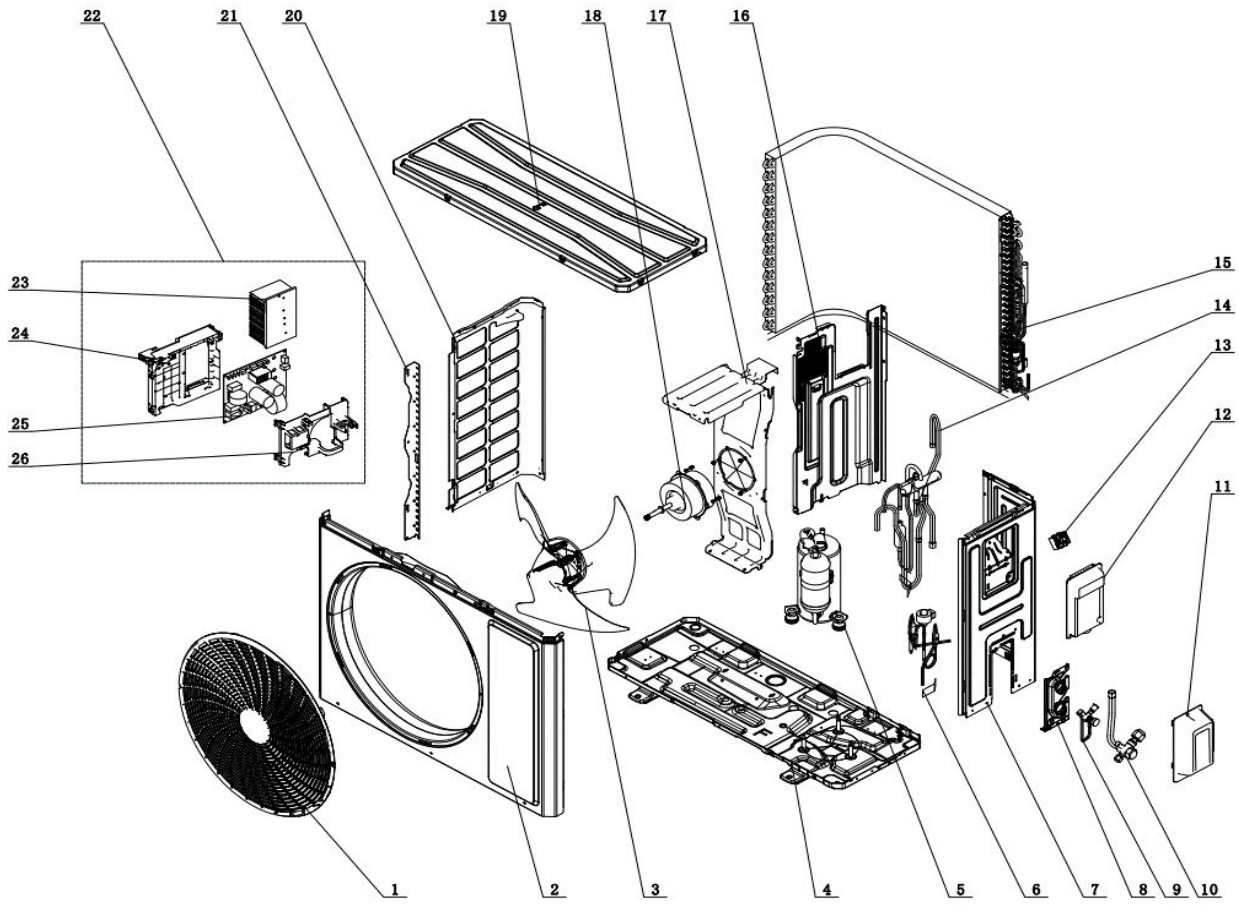


# SOH-18BIT2 OUTDOOR



| No                                 | Description                 | Part Code       | Note | Qty | Price Code |
|------------------------------------|-----------------------------|-----------------|------|-----|------------|
| <b>MODEL: SOH-18BIT2 (OUTDOOR)</b> |                             |                 |      |     |            |
| 1                                  | Front Grill                 | 200057060016    |      | 1   |            |
| 2                                  | Front Panel                 | 012073061611P   |      | 1   |            |
| 3                                  | Axial Flow Fan              | 10335262        |      | 1   |            |
| 4                                  | Chassis Sub-assy            | 017000060625P   |      | 1   |            |
| 5                                  | Compressor and Fittings     | 009001060617    |      | 1   |            |
| 6                                  | Electronic Expansion Valve  | 072009000017    |      | 1   |            |
| 7                                  | Right Side Plate            | 01205606038701P |      | 1   |            |
| 8                                  | Valve Support               | 012044060022P   |      | 1   |            |
| 9                                  | Cut-off valve 1/4(N)        | 070001060027    |      | 1   |            |
| 10                                 | Cut-off valve 1/2(N)        | 070001060024    |      | 1   |            |
| 11                                 | Valve Cover                 | 200087060005    |      | 1   |            |
| 12                                 | Handle                      | 200149060018    |      | 1   |            |
| 13                                 | Terminal Board              | 422000060075    |      | 1   |            |
| 14                                 | 4-Way Valve Assy            | 030152060764    |      | 1   |            |
| 15                                 | Condenser Assy              | 011002061950    |      | 1   |            |
| 16                                 | Clapboard Assy              | 000075060131    |      | 1   |            |
| 17                                 | Motor Support               | 012048060145    |      | 1   |            |
| 18                                 | Brushless DC Motor          | 1501506409      |      | 1   |            |
| 19                                 | Coping                      | 012049060117P   |      | 1   |            |
| 20                                 | Left Side Plate             | 012055060393P   |      | 1   |            |
| 21                                 | Condenser Left Border Plate | 012009060219    |      | 1   |            |
| 22                                 | Electric Box Assy           | 100002073002    |      | 1   |            |
| 23                                 | Radiator                    | 43003406011601  |      | 1   |            |
| 24                                 | Electric Box                | 200013060085    |      | 1   |            |
| 25                                 | Main Board                  | 300027061960    |      | 1   |            |
| 26                                 | Electric Box Cover          | 200082060068    |      | 1   |            |
|                                    |                             |                 |      |     |            |
|                                    |                             |                 |      |     |            |
|                                    |                             |                 |      |     |            |

The data are subject to change without notice.