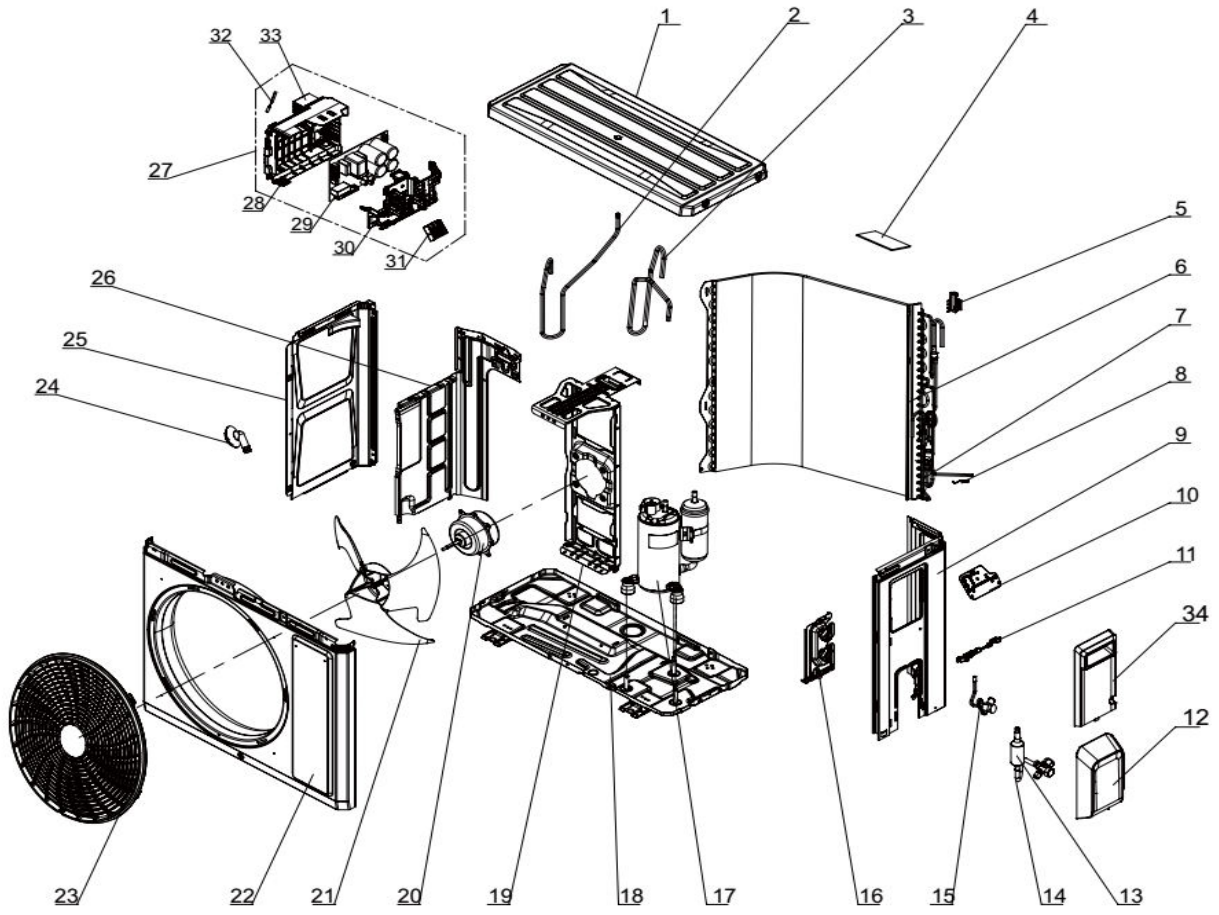


SOH-09BIT



No	Description	Part Code	Note	Qty	Price Code
MODEL: SOH-09BIT Outdoor unit					
1	Top Cover Assy	97060345		1	AM
2	Discharge Tube	35008062405		1	
3	Inhalation Tube	35006062322		1	
4	Sponge(Condenser)	1212309101		1	AB
5	Temperature Sensor Support	24213042		1	AB
6	Condenser Assy	11002061547		1	BB
7	Capillary Sub-assy	-			
8	Sensor Insert	42020063		1	AD
9	Right Side Plate	012056060384P		1	AK
10	Earthing Plate Sub-assy	17246000001		1	AC
11	Wire Clamp	200015060018		1	
12	Valve Cover	200087060004		1	AD
13	Silencer	35023000009		1	AG
14	Cut off Valve Sub-Assy	30057060359		1	AL
15	Cut-off valve 1/4(N)	70001060022		1	AG
16	Valve Support	012044060022P		1	AE
17	Compressor and Fittings	9001060605		1	BF
18	Chassis Sub-assy	017000060724P		1	AS
19	Motor Support Assy	46060128		1	
20	Brushless DC Motor	1501308517		1	AV
21	Axial Flow Fan	10333428		1	AG
22	Cabinet	012022060012P		1	AQ
23	Front Grill	200057060013		1	AF
24	Drainage Joint	-			
25	Left Side Plate	012055060342P		1	AK
26	Clapboard Sub-Assy	17021060544		1	AK
27	Electric Box Assy	100002071882		1	BF
28	Electric Box	20001306007301		1	
29	Main Board	300027061673		1	BD
30	Electric Box Cover	200082060058		1	AE
31	Terminal Board	422000060075		1	AF
32	Temperature Sensor	3900030907		1	AK
33	Radiator	430034060108		1	AL
34	Handle (Right)	200149060023		1	AE
/	Electrical Heater	7651000414		1	AP
/	4-way valve + coil	4300040072		1	AG
/	Capillary	30006061124		1	AL
/	Temp Sensor Sleeving	5212423		1	AC

The data are subject to change without notice.