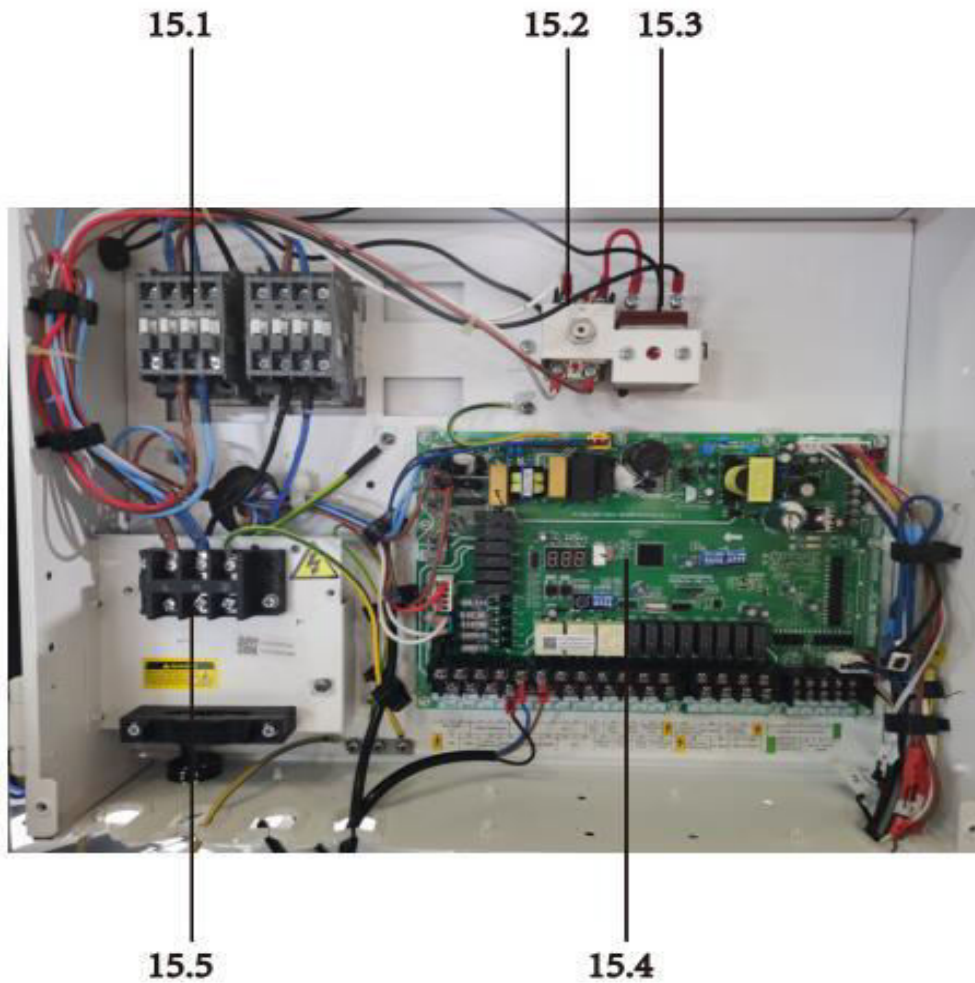
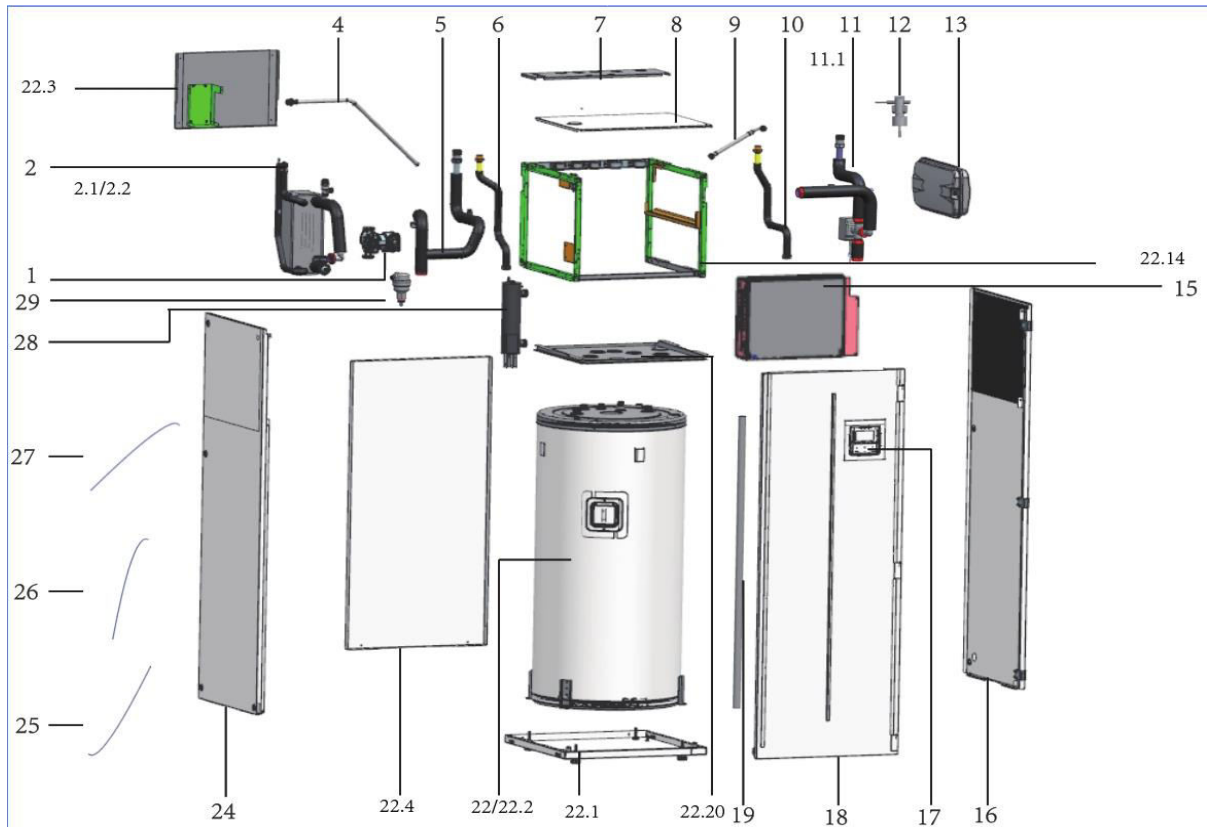


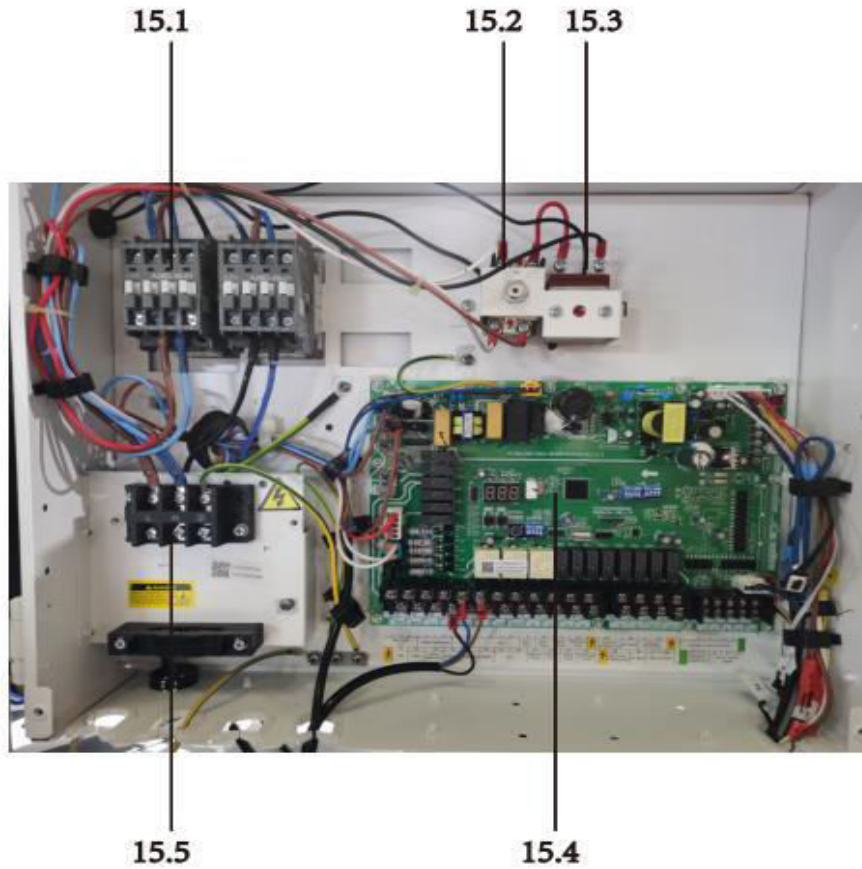
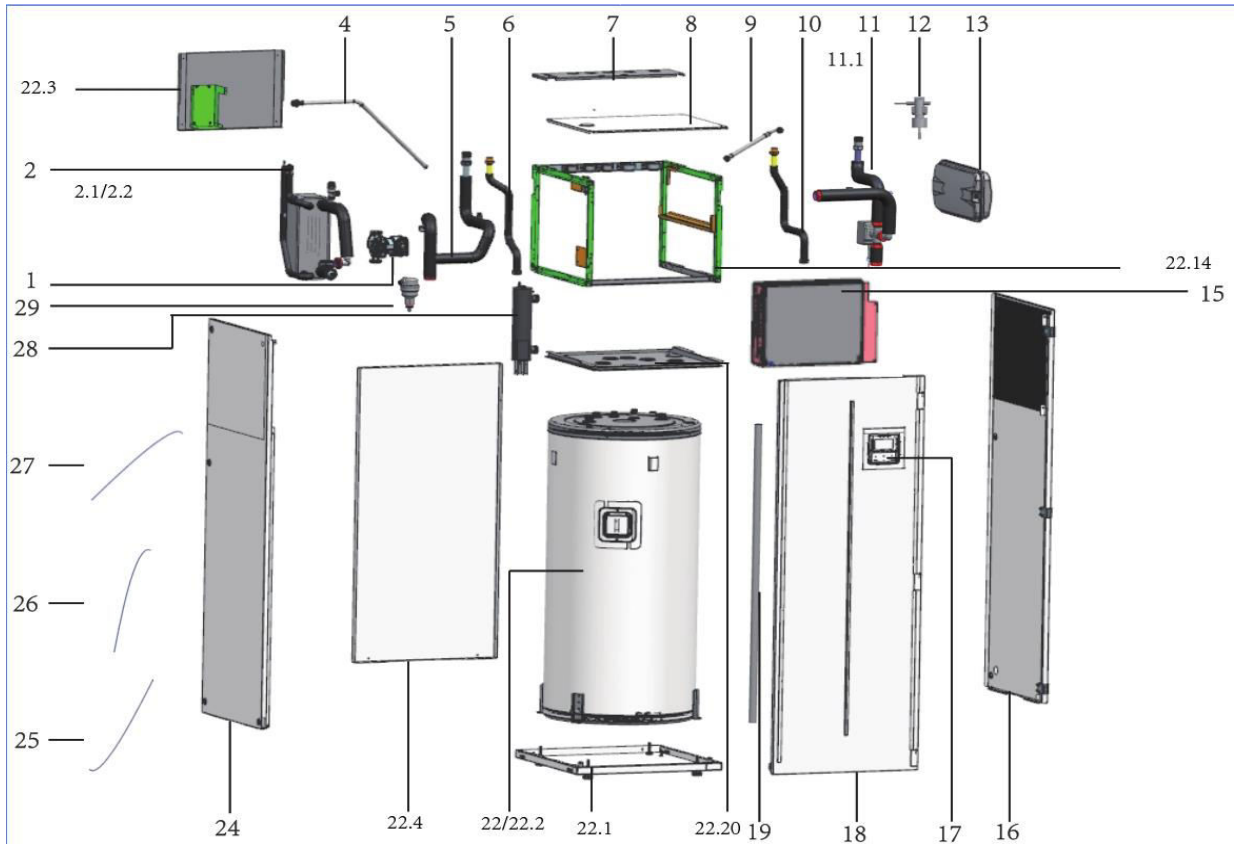
MSH-190TB/3



No	Description	Part Code	Note	Qty	Price Code
MODEL: MSH-190TB/3					
1	Shielded pump	917400802001853		1	CG
2	Heat-exchanger assembly	915710600000301		1	CQ
2.1	Plate heat exchanger	915700101001096		1	CG
2.2	Safety valve	915500201000025		1	BY
4	Connecting hose	912100509000392		1	AX
5	Circulating inlet water pipe assembly	915425300003402		1	BP
6	Water outlet pipe assembly	915425300003401		2	AV
7	Top cover	912210600002009		1	AQ
8	Top cover assembly	912225300010263		1	AY
9	Connection hose	912110600000229		1	AY
10	Water inlet pipe assembly	915410600000553		1	AW
11	Circulating outlet water pipe assembly	915425300003400		1	BZ
11.1	Three-way valve suit	915500215000287		1	BM
12	Water flow switch	917400510000474		1	BA
13	closed expansion vessels with built in diaphragm	915500509000107		1	BF
15	E-part box assembly	917210600000648		1	
15.1	AC contactor	911203502000493		2	BF
15.2	Thermostat assembly	917410600000008		1	AQ
15.3	Thermostat assembly	917410600000009		1	AM
15.4	Hydraulic module, Main control board assembly	917110600000570		1	BS
15.5	Wire joint	917400401000073		1	
16	Right side panel assembly	912227000014393		1	BM
17	Wired controller	917317100005975		1	
18	Panel part	912225300A02863		1	
19	Drain Pipe	912600501000408		1	AZ
22	Water tank	912210600001937		1	
22.1	Chassis part	912225300010256		1	BL
22.2	Water Temperature Sensor	911201007000104		1	AK
22.3	Rear board assembly	912226000005999		1	BA
22.4	Partition board	912225300010265		1	
22.14	Frame	912218000000727		1	
22.20	Drainage pan assembly	912210600001929		1	AY
24	Left side panel assembly	912227000014390		1	BK
25	Pipe Temperature Sensor	911201007000382		2	AF
26	Water Temperature Sensor	911201007001983		3	AH
27	Electrical heater of plate heat exchanger	917402001000083		1	AQ
28	Small water tank	912225300009063		1	
29	Exhaust valve	915500211000047		1	BA

The data are subject to change without notice.

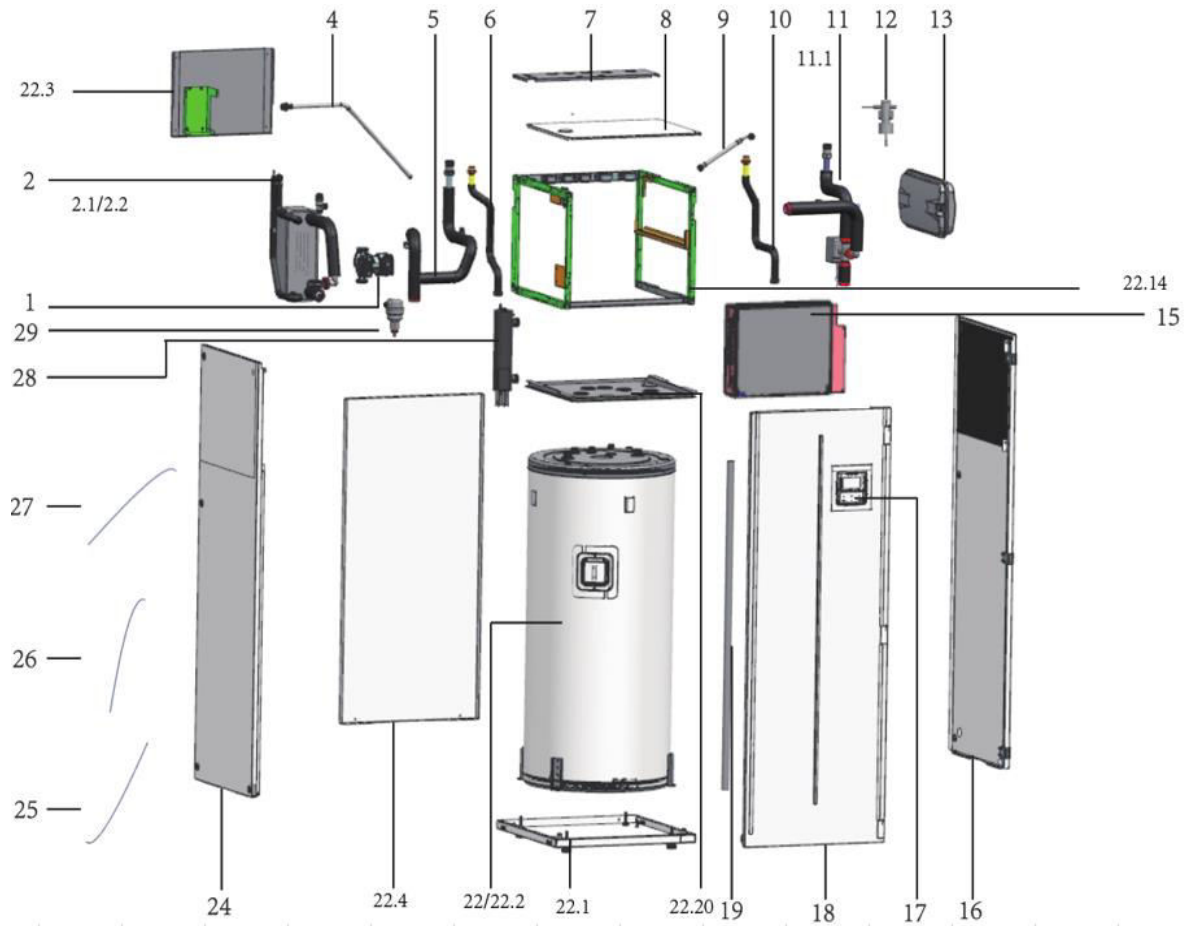
MSH-240TB/3



No	Description	Part Code	Note	Qty	Price Code
MODEL: MSH-240TB/3					
1	Shielded pump	917400802001853		1	CG
2	Heat-exchanger assembly	915710600000328		1	
2.1	Plate heat exchanger	915700101000976		1	CG
2.2	Safety valve	915500201000025		1	BY
4	Connecting hose	912100509000392		1	AX
5	Circulating inlet water pipe assembly	915425300003402		1	BP
6	Water outlet pipe assembly	915425300003401		2	AV
7	Top cover	912210600002009		1	AQ
8	Top cover assembly	912225300010263		1	AY
9	Connection hose	912110600000229		1	AY
10	Water inlet pipe assembly	915410600000553		1	AW
11	Circulating outlet water pipe assembly	915425300003400		1	BZ
11.1	Three-way valve suit	915500215000287		1	BM
12	Water flow switch	917400510000007		1	
13	closed expansion vessels with built in diaphragm	915500509000107		1	BF
15	E-part box assembly	917210600000510		1	
15.1	AC contactor	911203502000493		2	BF
15.2	Thermostat assembly	917410600000008		1	AQ
15.3	Thermostat assembly	917410600000009		1	AM
15.4	Hydraulic module, Main control board assembly	917110600000570		1	BS
15.5	Wire joint	917400401003816		1	
16	Right side panel assembly	912227000014396		1	BM
17	Wired controller	917317100A35116		1	
18	Panel part	912225300A02864		1	
19	Drain Pipe	912600501000608		1	
22	Water tank	912210600001946		1	
22.1	Chassis part	912225300010256		1	BL
22.2	Water Temperature Sensor	911201007000104		1	AK
22.3	Rear board assembly	912226000005999		1	BA
22.4	Partition board	912225300010285		1	
22.14	Frame	912218000000727		1	
22.20	Drainage pan assembly	912210600001929		1	AY
24	Left side panel assembly	912227000014399		1	
25	Pipe Temperature Sensor	911201007000382		2	AF
26	Water Temperature Sensor	911201007001983		3	AH
27	Electrical heater of plate heat exchanger	917402001000083		1	AQ
28	Small water tank	912225300009065		1	
29	Exhaust valve	915500211000047		1	BA

The data are subject to change without notice.

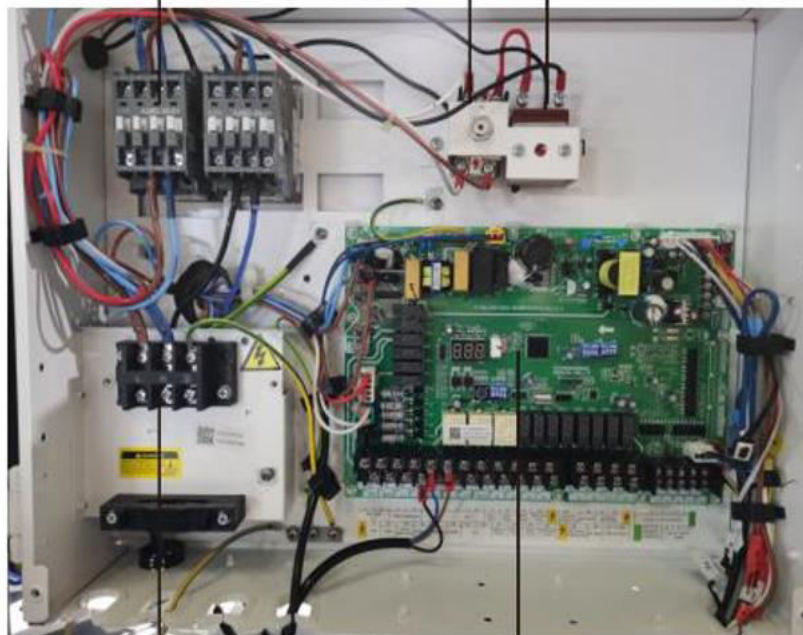
MSH-190TB-3/9



15.1

15.2

15.3



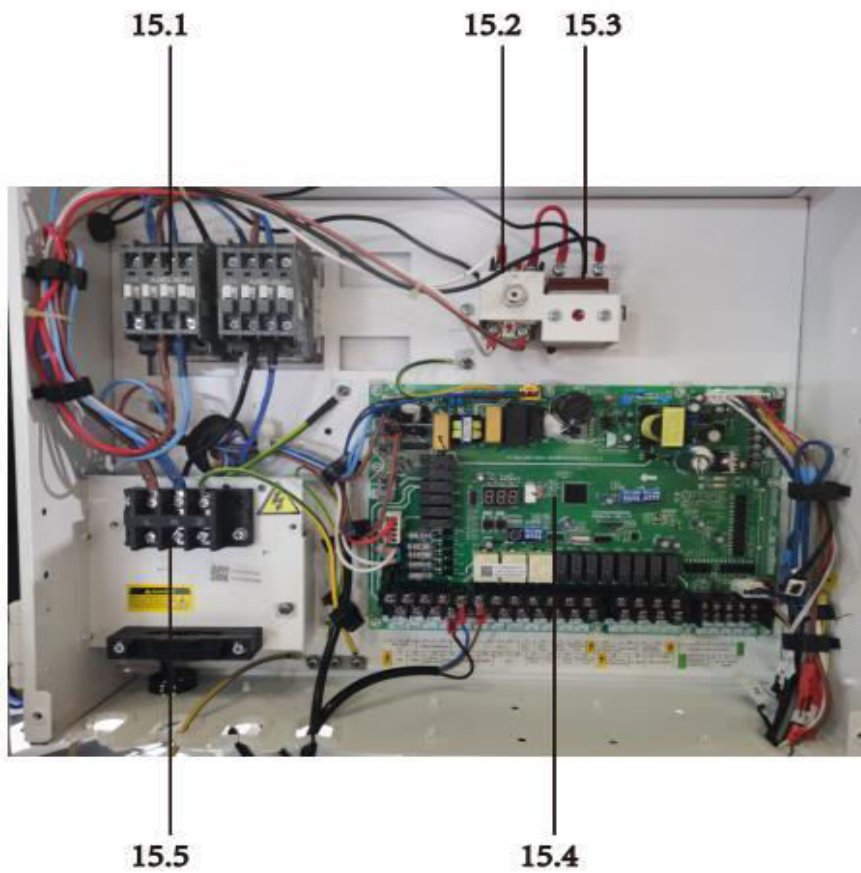
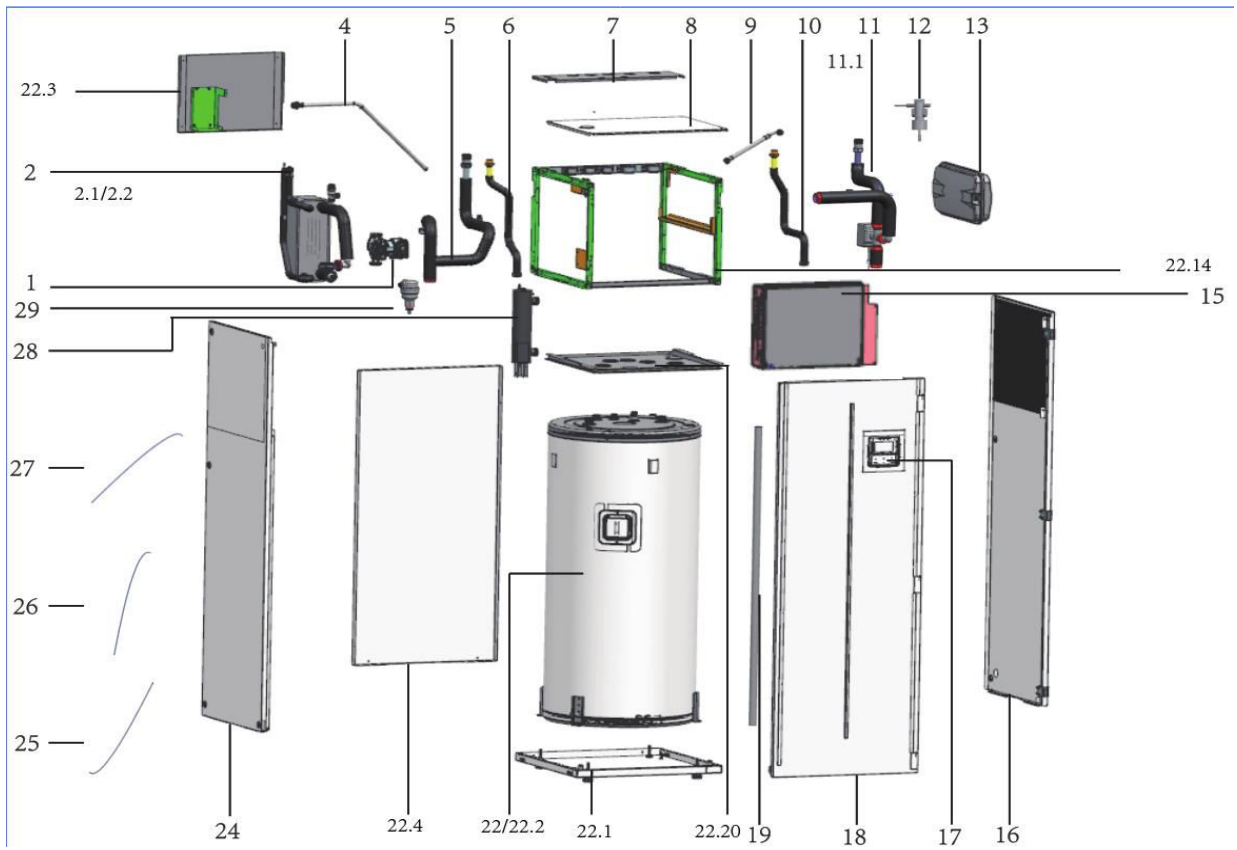
15.5

15.4

No	Description	Part Code	Note	Qty	Price Code
MODEL: MSH-190TB-3/9					
1	Shielded pump	917400802001853		1	CG
2	Heat-exchanger assembly	915710600000301		1	CQ
2.1	Plate heat exchanger	915700101001096		1	CG
2.2	Safety valve	915500201000025		1	BY
4	Connecting hose	912100509000392		1	AX
5	Circulating inlet water pipe assembly	915425300003402		1	BP
6	Water outlet pipe assembly	915425300003401		2	AV
7	Top cover	912210600002009		1	AQ
8	Top cover assembly	912225300010263		1	AY
9	Connection hose	912110600000229		1	AY
10	Water inlet pipe assembly	915410600000553		1	AW
11	Circulating outlet water pipe assembly	915425300003400		1	BZ
11.1	Three-way valve suit	915500215000287		1	BM
12	Water flow switch	917400510000474		1	BA
13	closed expansion vessels with built in diaphragm	915500509000107		1	BF
15	E-part box assembly	917210600A00310		1	CN
15.1	AC contactor	911203502000493		3	BF
15.2	Thermostat assembly	917410600000008		1	AQ
15.3	Thermostat assembly	917410600000009		1	AM
15.4	Hydraulic module, Main control board assembly	917110600000570		1	BS
15.5	Wire joint	917400401003816		1	AX
16	Right side panel assembly	912227000014393		1	BM
17	Wired controller	917317100A35116		1	
18	Panel part	912225300A02863		1	BP
19	Drain Pipe	912600501000408		1	AZ
22	Water tank	912210600001937		1	
22.1	Chassis part	912225300010256		1	BL
22.2	Water Temperature Sensor	911201007000104		1	AK
22.3	Rear board assembly	912226000005999		1	BA
22.4	Partition board	912225300010265		1	
22.14	Frame	912218000000727		1	
22.20	Drainage pan assembly	912210600001929		1	AY
24	Left side panel assembly	912227000014390		1	BK
25	Pipe Temperature Sensor	911201007000382		2	AF
26	Water Temperature Sensor	911201007001983		3	AH
27	Electrical heater of plate heat exchanger	917402001000083		1	AQ
28	Small water tank	912225300009065		1	BW
29	Exhaust valve	915500211000047		1	BA

The data are subject to change without notice.

MSH-240TB-3/9



No	Description	Part Code	Note	Qty	Price Code
MODEL: MSH-240TB-3/9					
1	Shielded pump	917400802001853		1	CG
2	Heat-exchanger assembly	915710600000328		1	
2.1	Plate heat exchanger	915700101001436		1	
2.2	Safety valve	915500201000025		1	BY
4	Connecting hose	912100509000392		1	AX
5	Circulating inlet water pipe assembly	915425300003402		1	BP
6	Water outlet pipe assembly	915425300003401		2	AV
7	Top cover	912210600002009		1	AQ
8	Top cover assembly	912225300010263		1	AY
9	Connection hose	912110600000229		1	AY
10	Water inlet pipe assembly	915410600000553		1	AW
11	Circulating outlet water pipe assembly	915425300003400		1	BZ
11.1	Three-way valve suit	915500215000287		1	BM
12	Water flow switch	917400510000007		1	
13	closed expansion vessels with built in diaphragm	915500509000107		1	BF
15	E-part box assembly	917210600A00310		1	
15.1	AC contactor	911203502000493		2	BF
15.2	Thermostat assembly	917410600000008		1	AQ
15.3	Thermostat assembly	917410600000009		1	AM
15.4	Hydraulic module, Main control board assembly	917110600000570		1	BS
15.5	Wire joint	917400401000073		1	
16	Right side panel assembly	912227000014396		1	BM
17	Wired controller	917317100A35116		1	
18	Panel part	912225300A02864		1	
19	Drain Pipe	912600501000608		1	
22	Water tank	912210600001946		1	
22.1	Chassis part	912225300010256		1	BL
22.2	Water Temperature Sensor	911201007000104		1	AK
22.3	Rear board assembly	912226000005999		1	BA
22.4	Partition board	912225300010285		1	
22.14	Frame	912218000000727		1	
22.20	Drainage pan assembly	912210600001929		1	AY
24	Left side panel assembly	912227000014399		1	
25	Pipe Temperature Sensor	911201007000382		2	AF
26	Water Temperature Sensor	911201007001983		3	AH
27	Electrical heater of plate heat exchanger	917402001000083		1	AQ
28	Small water tank	912225300009065		1	
29	Exhaust valve	915500211000047		1	BA

The data are subject to change without notice.