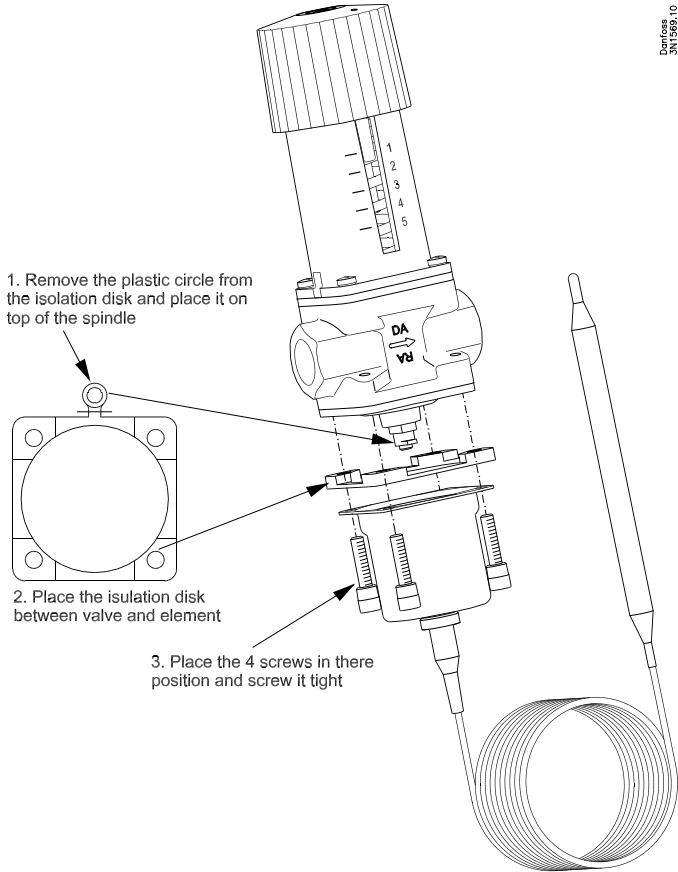


INSTRUCTIONS AVTA/B



003R9300

003R9300



Danfoss
3N1569.1.0

1. Remove the plastic circle from the isolation disk and place it on top of the spindle

2. Place the isolation disk between valve and element

3. Place the 4 screws in their position and screw it tight

© Danfoss A/S 09 2006 AC-DSL/frz