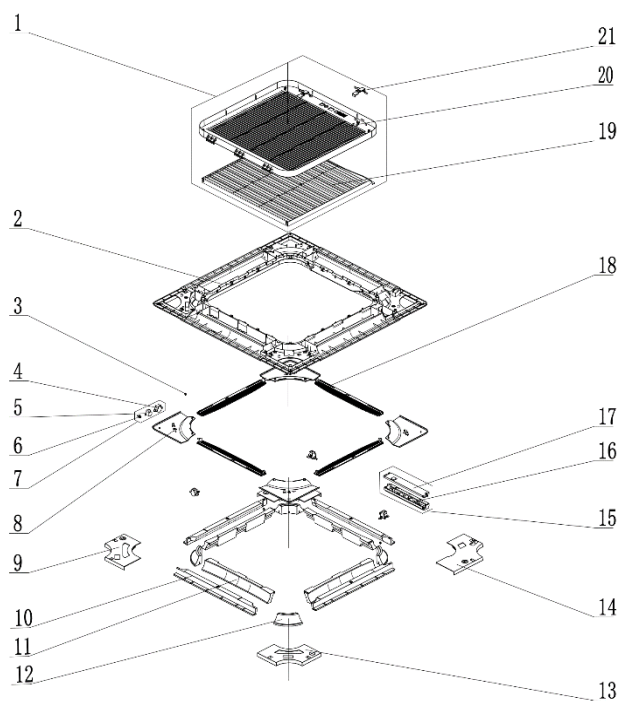
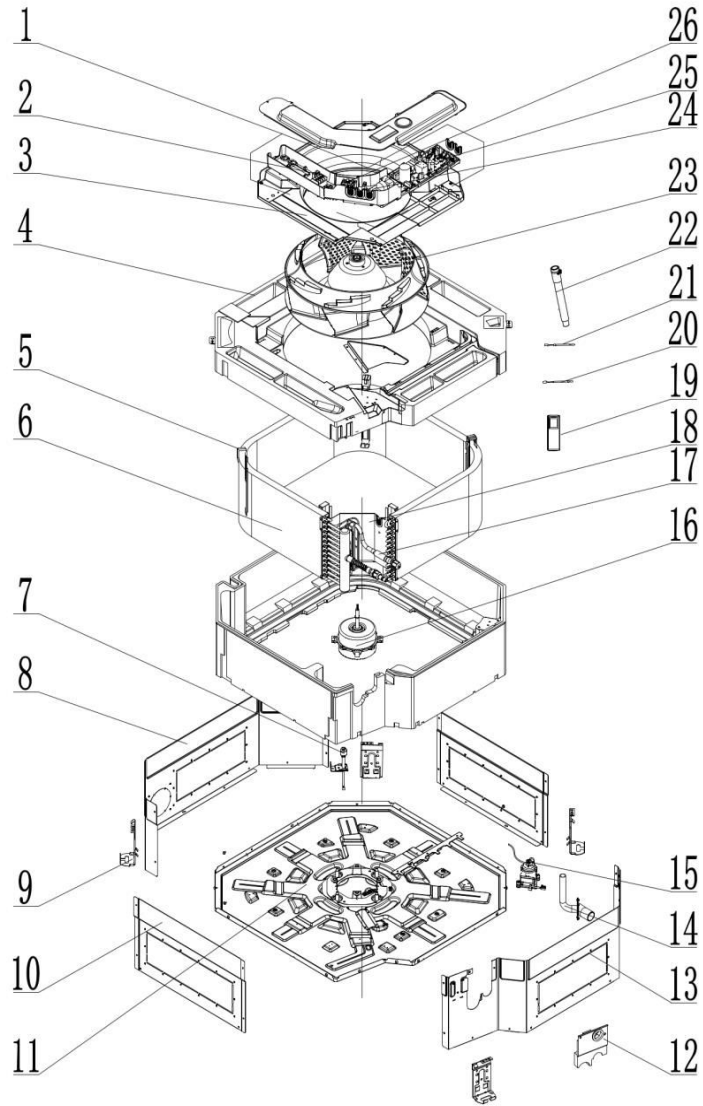


ASC-42BI



No	Description	Part Code	Note	Qty	Price Code
MODEL: ASC-42BI Cassette unit					
1	Electric Box Assy	100002061280		1	BC
2	Terminal Board	42018000551		1	AG
3	Diversion Circle	10479400002		1	AH
4	Water Tray Assy	000069060008		1	AY
5	Fixed Mount 1 (Evaporator)	01849400007		3	AD
6	Evaporator Assy	011001000225		1	BM
7	Liquid Level Switch	4502021601		1	AM
8	Side Plate 1	01319400025		1	AP
9	Body Installing Plate	01332701		4	AC
10	Side Plate 3	01319400036		2	AL
11	Base Plate Sub-Assy	02229400011		1	AY
12	Seal plate Assy	01499400001		1	AD
13	Side Plate 2	01319400026		1	AP
14	Drainage Pipe Sub-Assy	26909400055		1	AH
15	Water Pump	43138000058		1	AX
16	Brushless DC Motor	15709400009		1	BF
17	Filter	07415210		1	AH
18	Connection Sheet Assy	01349400025		1	AH
19	Remote Control	305001060024_L41419		1	-
20	Temperature Sensor	390000453		1	AD
21	Tube sensor	39000286		1	AF
22	Drain Hose Sub-Assy	05339400001		1	AG
23	Centrifugal Fan	10429400003		1	AZ
24	Filter Board	30221000021		1	AR
25	Main Board	300002060224		1	AZ
26	Terminal board	4200010000202		1	AD
	Remote Holder	2615000701			
	Jumper	4202021906			
	SWM-03 Wi-Fi Module (Optional)	53511000000626			
MODEL: ASC-42BI Cassette unit: PANEL					
1	Front Grill Assy	000142000003_L41419		1	-
2	Front Panel	200003000102		1	AT
3	Left Axile Bush	10512037		4	AB
4	Motor Box	26909460		1	AB
5	Step Motor	15729401		1	AG
6	Crank	10582070		1	AB
7	Louver Motor Sub-assy	15409407		4	AF
8	Corner Cover	200248000004		1	AD
9	Corner Cover	200248000003		1	AD
10	Foam	120000000037		4	AE
11	Foam	120000000035		4	AG
12	Foam	120000000036		4	AF
13	Corner Cover	200248000002		1	AD
14	Corner Cover	200248000001		1	AD
15	Receiver Board	30261016		1	AM
16	Display Box	26909455		1	AC
17	Display Box Cover	26909454		1	AC
18	Guide Louver	200004000038		4	AD
19	Filter Sub-Assy	11729405		1	AM
20	Front Grill	27230012114		1	-
21	Fastener	200108000005		2	AB

The data are subject to change without notice.