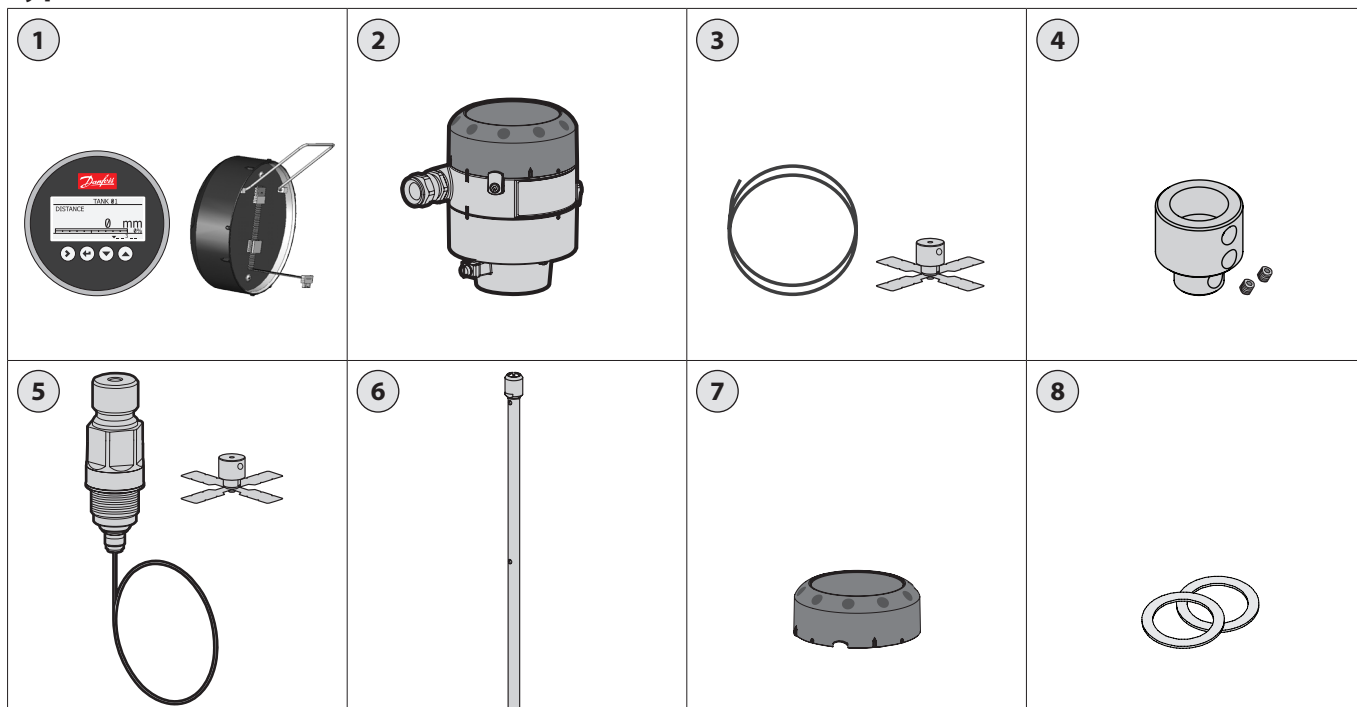


Data sheet – Spare parts and accessories

Liquid level sensor
Type AKS 4100/4100U



| Description | Fig.. # | Qty. | Code no. |
|--|---------|------|-----------------|
| Accessories | | | |
| AKS 4100/4100U HMI Service/Display unit with rear cover and mounting bracket | 1 | 1 | 084H4540 |
| AKS 4100/4100U HMI Display | 1 | 1 | 084H4548 |
| AKS 4100/4100U Signal Converter without HMI, excluding cable gland | 2 | 1 | 084H4541 |
| Service kit | | | |
| Cable and counterweight for AKS 4100/4100U - CABLE version | | | |
| Cable - 5 m (197 in.) Ø2 mm (Ø0.08 in.) | 3 | 1 | 084H4542 |
| Crimp | 3 | 1 | |
| Counterweight | 3 | 1 | |
| Service kit | | | |
| End connector incl screws for AKS 4100/4100U - COAXIAL version | | | |
| End connector (incl. 3 mm (0.12 in) set screws) | 4 | 1 | 084H4549 |
| Service kit | | | |
| Process connection, counterweight and 5 m (197 in.) Ø2 mm (Ø0.08 in.) cable for AKS 4100 - CABLE and COAXIAL version | | | |
| 1 in. process connection | 5 | 1 | 084H4545 |
| Counterweight | 5 | 1 | |

| Description | Fig.. # | Qty. | Code no. |
|---|---------|------|-----------------|
| Service kit | | | |
| Process connection, counterweight and 5 m (197 in.) Ø2 mm (Ø0.08 in.) cable for AKS 4100U - CABLE and COAXIAL version | | | |
| 3/4 in. NPT process connection | 5 | 1 | 084H4546 |
| Counterweight | 5 | 1 | |
| Other spare parts | | | |
| Coaxial tube. Tube length : 680 mm (26.8 in.) | 6 | 1 | 084H4543 |
| Blank top cover for signal converter | 7 | 1 | 084H4544 |
| Aluminium gaskets for 1 in. process connection | 8 | 10 | 084H4547 |
| AKS 4100 1. in. welding connection | - | 1 | 027F1010 |