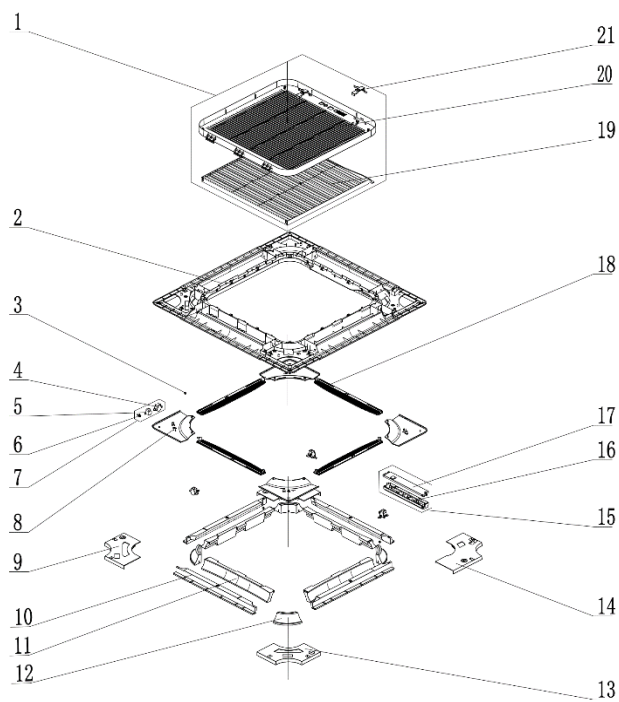
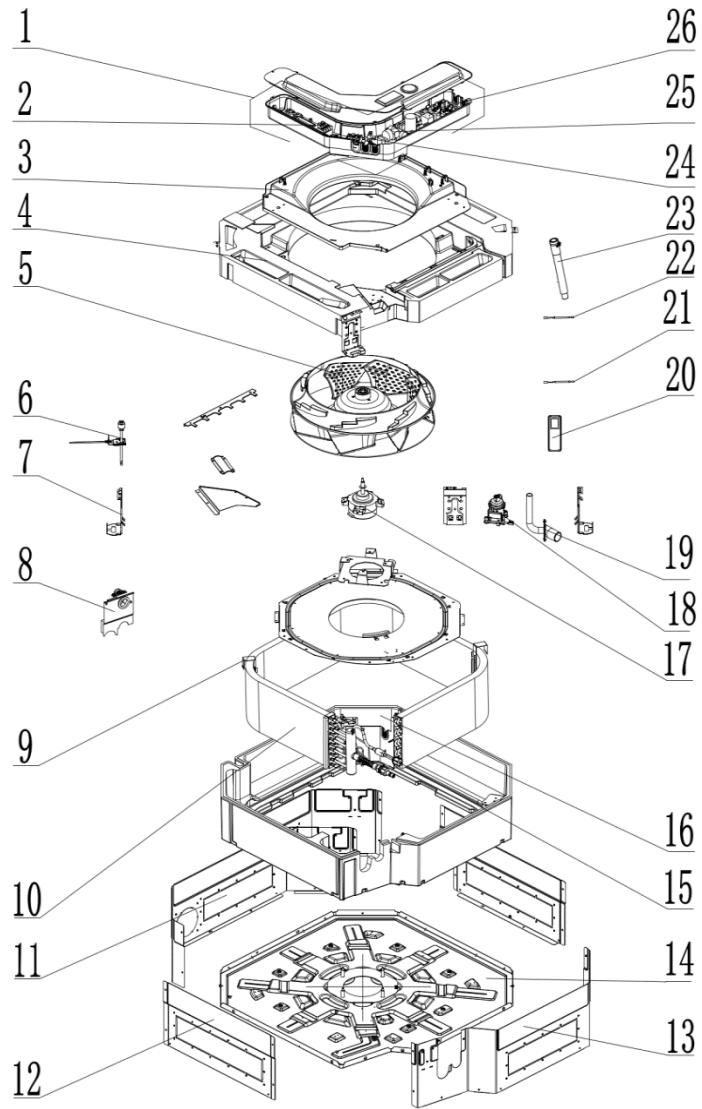


ASC-24BI



No	Description	Part Code	Note	Qty	Price Code
MODEL: ASC-24BI Cassette unit					
1	Electric Box Assy	100002061280		1	BC
2	Terminal Board	42018000551		1	AG
3	Diversion Circle	26909400067		1	AH
4	Water Tray Assy	000069060008		1	AY
5	Centrifugal Fan	10429400004		1	AZ
6	Liquid Level Switch	4502021601		1	AM
7	Body Installing Plate	01332701		4	AC
8	Seal plate Assy	01499400003		1	AD
9	Fixed Mount (Evaporator)	01849400020		3	AC
10	Evaporator Assy	01100100025401		1	BK
11	Side Plate 1	01319400049		1	AN
12	Side Plate 3	01319400051		2	AK
13	Side Plate 2	01319400050		1	AN
14	Base Plate Sub-Assy	02229400011		1	AY
15	Strainer	07213050		1	AF
16	Support	01809400052		1	AG
17	Brushless DC Motor	1570410000702		1	BB
18	Water Pump	43138000058		1	AX
19	Drainage Pipe Sub-Assy	26909400055		1	AH
20	Remote Control	305001060024_L41419		1	-
21	Temperature Sensor	390000453		1	AD
22	Tube sensor	39000286		1	AF
23	Drain Hose Sub-Assy	05232702		1	AH
24	Terminal board	42000100000202		1	AD
25	Filter Board	30221000021		1	AR
26	Main Board	300002060224		1	AZ
	Remote Holder	2615000701			
	Jumper	4202021903			
	SWM-03 Wi-Fi Module (Optional)	53511000000626			
MODEL: ASC-24BI Cassette unit: PANEL					
1	Front Grill Assy	000142000003_L41419		1	-
2	Front Panel	200003000102		1	AT
3	Left Axile Bush	10512037		4	AB
4	Motor Box	26909460		1	AB
5	Step Motor	15729401		1	AG
6	Crank	10582070		1	AB
7	Louver Motor Sub-assy	15409407		4	AF
8	Corner Cover	200248000004		1	AD
9	Corner Cover	200248000003		1	AD
10	Foam	120000000037		4	AE
11	Foam	120000000035		4	AG
12	Foam	120000000036		4	AF
13	Corner Cover	200248000002		1	AD
14	Corner Cover	200248000001		1	AD
15	Receiver Board	30261016		1	AM
16	Display Box	26909455		1	AC
17	Display Box Cover	26909454		1	AC
18	Guide Louver	200004000038		4	AD
19	Filter Sub-Assy	11729405		1	AM
20	Front Grill	27230012114		1	-
21	Fastener	200108000005		2	AB

The data are subject to change without notice.