

P266 Series Single-Phase Condenser Fan Speed Control

Installation Instructions

P266xxx-x

Part No. 24-7664-2705, Rev. D

Issued August 27, 2010

Supersedes April 8, 2010



<i>English</i>	1
<i>Français</i>	13
<i>Deutsch</i>	25
<i>Italiano</i>	37
<i>Español</i>	49
<i>Nederlands</i>	61
<i>Svenska</i>	73
<i>Česky</i>	85
<i>Polski</i>	97

P266 Series Single-Phase Condenser Fan Speed Control

Installation Instructions

P266xxx-x

Part No. 24-7664-2705, Rev. D
Issued August 27, 2010
Supersedes April 8, 2010

Application

IMPORTANT: Use this P266 Series Single-Phase Condenser Fan Speed Control only as an operating control. Where failure or malfunction of the P266 Series Fan Speed Control could lead to personal injury or property damage to the controlled equipment or other property, additional precautions must be designed into the control system. Incorporate and maintain other devices, such as supervisory or alarm systems or safety or limit controls, intended to warn of or protect against failure or malfunction of the P266 Series Fan Speed Control.



CAUTION: Risk of Property Damage

Use only single-phase Permanent Split Capacitor (PSC) motors approved by the manufacturer for speed control application with the P266 Series control. Failure to use a single-phase PSC motor may damage the motor and other property.

The P266 Series Single-Phase Condenser Fan Speed Control is a cost-effective, compact, weather-resistant, and durable speed control for single-phase PSC motors used in a wide variety of low-ambient refrigeration and air conditioning condenser applications.

The P266 Series Fan Speed Controls are designed to replace the Johnson Controls® P66 Series and P215 Series Fan Speed Controls and provide additional features and application flexibility.

Mounting

Location Considerations

Observe these guidelines when locating and mounting a P266 Series Fan Speed Control:

- Ensure that the mounting surface and mounting hardware can support the control and wiring.

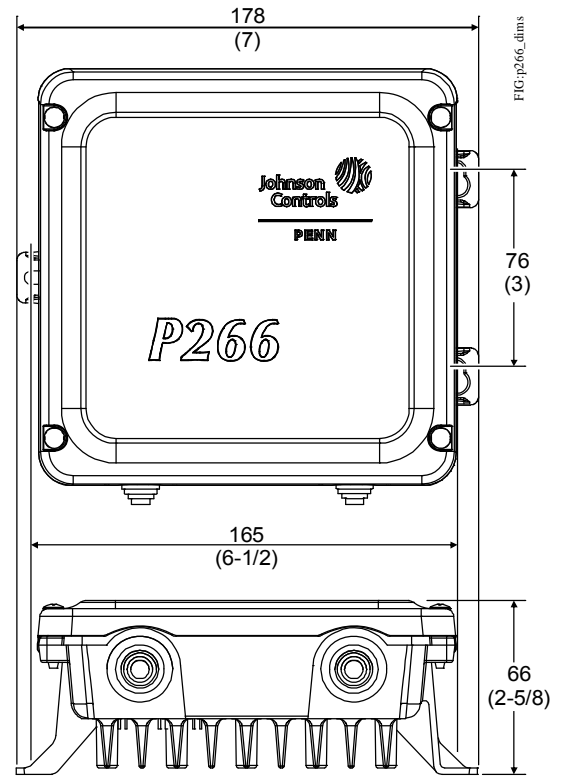


Figure 1: P266 Single-Phase Condenser Fan Speed Control Mounting Dimensions, mm (in.)

- Mount the P266 Series control upright on a vertical surface with the heat sink fins oriented vertically and the conduit/electrical holes facing down.
- Ensure that air can flow through the heat sink fins and provide 10 cm (4 in.) minimum clearance around the heat sink.
- Mount the P266 Series control in a location away from sources of excessive heat and within the specified ambient operating conditions. See [Technical Specifications](#) for ambient operating conditions.

Wiring

Refer to the model-specific wiring diagram located on the interior label of the P266 Series control and observe these guidelines when wiring the P266 Series control:



WARNING: Risk of Electric Shock.

Disconnect or isolate all power supplies before making electrical connections. More than one disconnect or isolation may be required to completely de-energize equipment. Contact with components carrying hazardous voltage can cause electric shock and may result in severe personal injury or death.

IMPORTANT: Do not connect supply power to the P266 Series control before finishing wiring and checking all wiring connections. Short circuits or improperly connected wires can result in damage to the P266 Series control and void any warranty.

IMPORTANT: Do not exceed the P266 Series Fan Speed Control electrical ratings. Exceeding P266 Series control electrical ratings can result in permanent damage to the P266 Series control and void any warranty.

IMPORTANT: Use 60/75 C copper conductors only. Make all wiring in accordance with local, national, and regional regulations.

IMPORTANT: Electrostatic discharge can damage P266 control components. Use proper Electrostatic Discharge (ESD) precautions during installation and servicing to avoid damaging P266 components.

- Ensure that the wires between the P266 Series control and the fan motor do not exceed 15 m (50 ft).
- Wires connected to the line-voltage terminal block must be 3.31 mm² (12 AWG) or smaller.
- Low-voltage wires must be less than 30 m (100 ft).

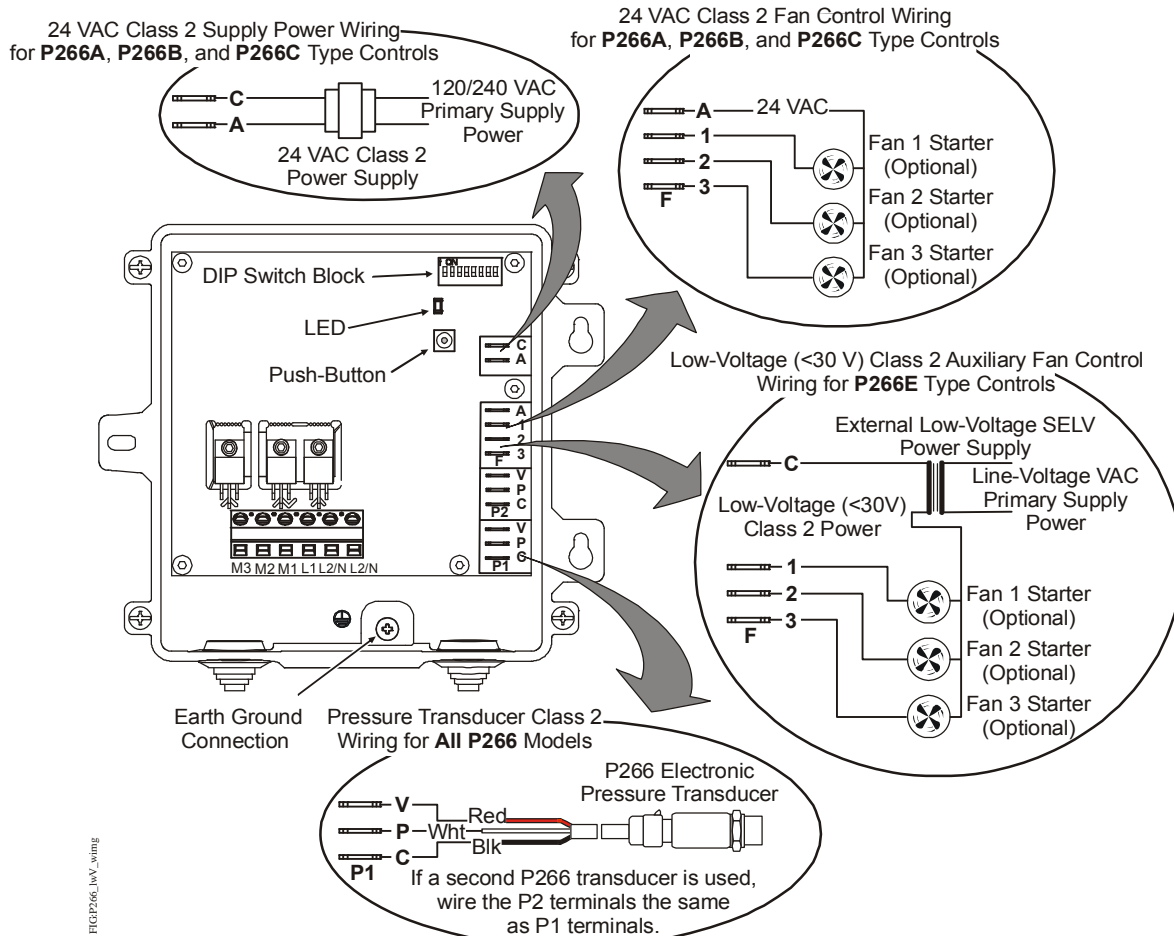


Figure 2: P266 Series Control Physical Features and Low-Voltage Wiring

Low-Voltage Wiring

Figure 2 shows the P266 Series control features under the housing cover and the low-voltage wiring diagrams for the P266A, P266B, P266C, and P266E Type control models.

High-Voltage Wiring

Figure 3 shows the high-voltage wiring diagrams for the P266A, P266B, and P266C Type control models. Figure 4 show the high-voltage wiring diagrams for the P266E Type control models.

IMPORTANT: The L2/N terminal must be connected to line voltage in order for a P266 Series control to comply with the FCC and IEC Class B radio frequency interference emissions limit.

Use Table 1 to determine the high-voltage wiring options available for P266A, P266B, P266C, and P266E Type control models.

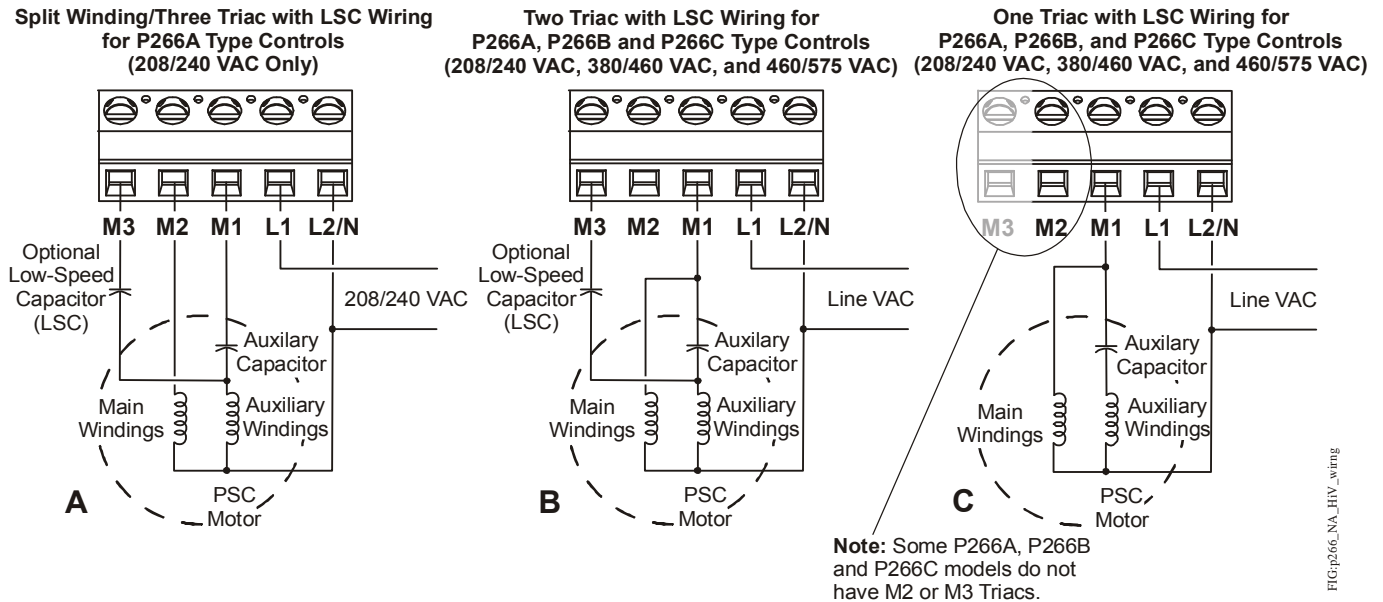


Figure 3: High-Voltage Wiring Options for P266A, P266B, and P266C Type Controls

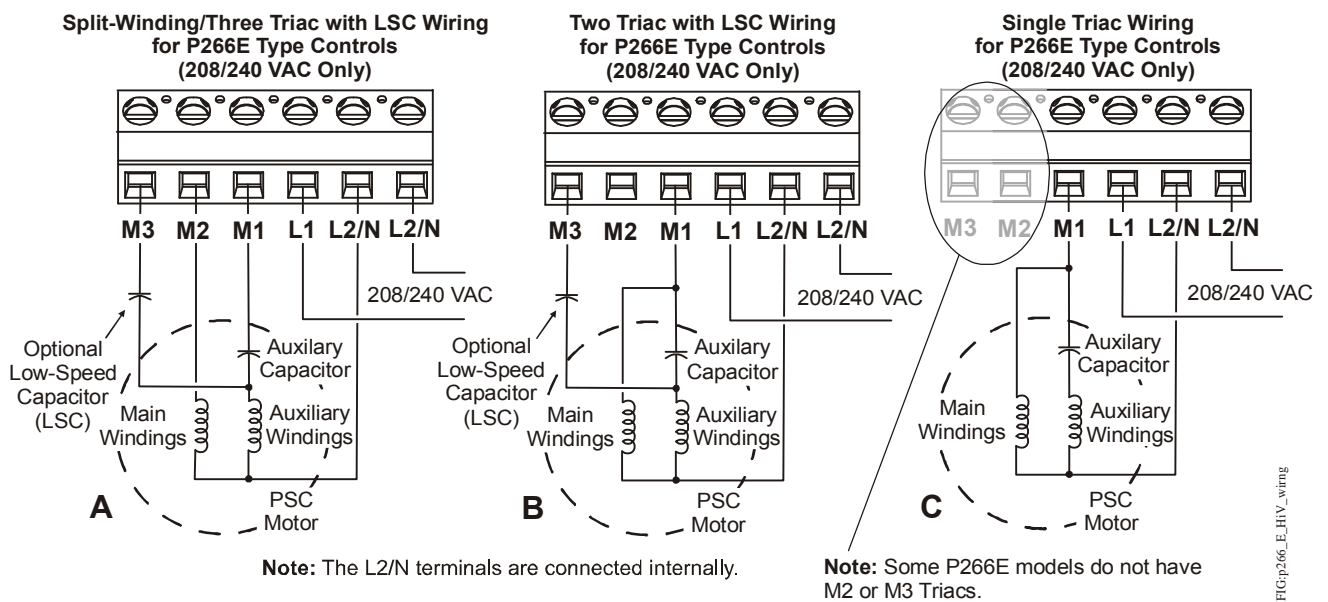


Figure 4: High-Voltage Wiring Options for P266E Type Controls

Table 1: Product Type High-Voltage Wiring Options and Voltage Ranges

Product Type Number	Split Winding/ Three Triac with Low-Speed Capacitor	Two Triac with Low-Speed Capacitor			Single Triac		
	208/240 VAC	208/240 VAC	380/460 VAC	460/575 VAC	208/240 VAC	380/460 VAC	460/575 VAC
P266AA	See Figure 3A	See Figure 3B	--	--	See Figure 3C	--	--
P266AB	See Figure 3A	See Figure 3B	--	--	See Figure 3C	--	--
P266AC	--	--	--	--	See Figure 3C	--	--
P266AD	--	--	--	--	See Figure 3C	--	--
P266BC	--	--	--	--	--	--	See Figure 3C
P266BD	--	--	--	--	--	--	See Figure 3C
P266BG	--	--	--	See Figure 3B	--	--	See Figure 3C
P266BH	--	--	--	See Figure 3B	--	--	See Figure 3C
P266EA	See Figure 4A	See Figure 4B	--	--	See Figure 4C	--	--
P266EB	See Figure 4A	See Figure 4B	--	--	See Figure 4C	--	--
P266EC	--	--	--	--	See Figure 4C	--	--
P266ED	--	--	--	--	See Figure 4C	--	--
P266EE	--	--	--	--	See Figure 4C	--	--
P266EF	--	--	--	--	See Figure 4C	--	--
P266CH	--	--	See Figure 3B	--	--	See Figure 3C	

Setup and Adjustments

All P266 Series controls ship with factory-set default values and mode settings. In most applications, the default values and modes do not require field adjustment.

If your P266 Series control application requires you to change the value or mode settings, you must:

1. Calculate the new values and determine the new mode settings required for your application. (See *P266 Series Control Values and Modes*.)
2. Change the existing settings on the control to the new values and modes using the P266 Series control setup interface. (See *Setting Values and Modes*.)

P266 Series Control Setup Interface

The P266 Series control setup interface consists of a DIP switch block with eight binary switches, a push button switch, and a green Light-Emitting Diode (LED) (Figure 2). You can change the factory-set default values and modes by repositioning the DIP switches and saving the new settings. The number of LED flashes (in sequence) indicates which value and/or modes that you are saving. See Table 2 for more information about LED flash sequences, values, and modes.

During normal operation, the green LED is on. When you **press and hold** the push button, the LED goes off for 3 seconds then flashes two times. The LED then goes off again for 3 seconds and flashes three times, and continues in this pattern until seven flashes or until you release the push button.

Each sequence of flashes indicates a value or a value and set of mode settings. Releasing the push button after the desired flash sequence saves the value and/or modes that are currently set on the DIP switch block. See Table 2 for more information.

After you complete the setup, set all of the DIP switches to the ON position to lock out the push button operation.

P266 Series Control Values and Modes

P266 Series controls have up to ten values and modes (in six flash sequences) that can be changed in the field. See Table 2 for more information about flash sequences and the associated values and modes.

Start Voltage Value

The start voltage (VAC) is the voltage delivered by the P266 Series control to the fan motor to run the motor at minimum speed in your application.

The **Start Voltage value** is a percentage of the P266 Series control's input voltage. Use the following formula to calculate the Start Voltage value for your application.

$$\frac{\text{Start Voltage (VAC)}}{\text{P266 Control Input Line- Voltage (VAC)}} = \text{Start Voltage Value (\%)}$$

Low Pressure Mode

Low Pressure Mode determines whether the fan motor is either On (at start voltage/minimum speed) or Off when the sensed pressure at the P266 transducer is below the start pressure setpoint.

Start Pressure Value

Start pressure (psi or bar) is the pressure setpoint at which the P266 Series control outputs the start voltage and runs the fan motor at minimum speed. **Start Pressure value** is a function of the start pressure setpoint and the pressure range of the referenced P266 transducer. Use the following formula to calculate the Start Pressure value. See Table 3 for P266 transducer pressure ranges.

$$\frac{\text{Start Pressure Setpoint (bar or psi)}}{\text{P266 Transducer Pressure Range (bar or psi)}} \times 250 = \text{Start Pressure Value}$$

End Pressure Value

The end pressure setpoint is the pressure (bar or psi) at which the P266 Series control outputs the End Voltage and runs the fan motor at maximum speed. **End Pressure value** is a function of the end pressure setpoint and the total pressure range of the referenced transducer. Use the following formula to determine your application End Pressure value. See Table 3 for P266 transducer pressure ranges.

$$\frac{\text{End Pressure Setpoint (bar or psi)}}{\text{P266 Transducer Pressure Range (bar or psi)}} \times 250 = \text{End Pressure Value}$$

Split Winding Mode

Some single-phase PSC motors have split motor winding wire leads. Setting the Split Winding mode On enables the M2 Triac to provide voltage to the main windings (and not the auxiliary windings), which increases motor efficiency (Figure 3A and Figure 4A).

Note: Split Winding mode is available for **only 240 VAC single-phase PSC motors that have split winding wire leads**. Refer to the motor manufacturer's installation instructions to determine if your fan motor may be wired to enable the Split Winding mode.

Copeland Digital Scroll™ Compressor Mode

Digital Scroll Compressor Mode allows you to use the P266 Series control on a system that uses a digital scroll compressor. Failure to enable the digital scroll compressor mode when using a digital scroll compressor may cause your condenser fan to oscillate.

End Voltage Mode

End voltage is the voltage output by the P266 Series control (as a percentage of the full voltage) that is maintained when the monitored pressure is equal to or greater than the End Pressure. The End Voltage mode can be set to either 95% or 97% of the total input voltage. See Figure 5.

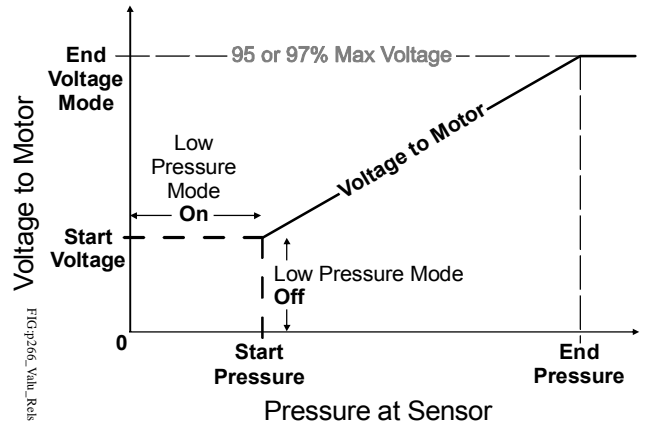


Figure 5: Relationship between P266 Fan Speed Control Variables

Low-Speed Capacitor Mode

In some fan speed applications, a (user-supplied) Low-speed capacitor (LSC) can be connected to the P266 Series control's M3 triac and the controlled fan motor (Figure 3 and Figure 4). The low-speed capacitor is enabled at low voltages to enhance the fan motor efficiency and performance. Set Low-speed Capacitor mode to On when a low-speed capacitor is used.

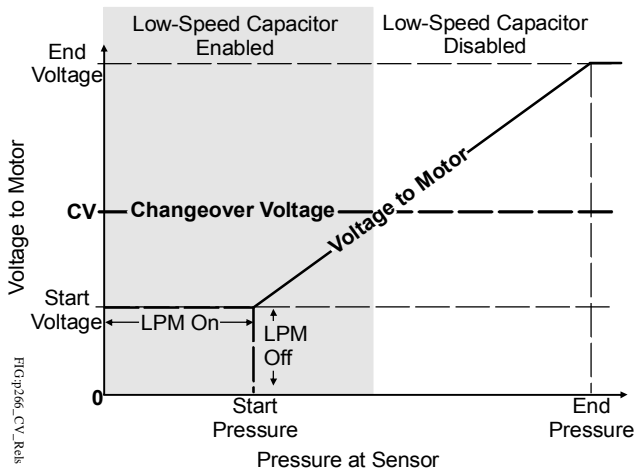


Figure 6: Low-Speed Capacitor Operation

Note: The optional low-speed capacitor should be equal in both the voltage range and the microfarad value to the auxiliary capacitor supplied by the manufacturer, but the capacitor must not exceed 15 microfarads.

Note: You must also set the Changeover Voltage value when a low-speed capacitor is used in your P266 Series control application. See [Changeover Voltage Value](#) and [Determining Changeover Voltage Value](#) for more information on setting the Changeover Voltage value.

Auxiliary Fan Stage Mode

You can set the P266 Series control to cycle (On/Off) up to three additional (fixed-speed) fan motors or fan stages in conjunction with the variable speed fan controlled by the P266 Series control.

Three low-voltage circuits (Figure 2) can be wired to control the auxiliary fan motor/stage starters. See Table 2 for information on setting the number of auxiliary fans used in your application.

Figure 7 shows a P266 Series control application with one auxiliary fan operating in conjunction with the speed-controlled fan. When the condenser load exceeds the output capacity of the speed-controlled fan, the P266 Series control powers On the auxiliary fan and shifts the speed-controlled (P266) fan to a new start pressure.

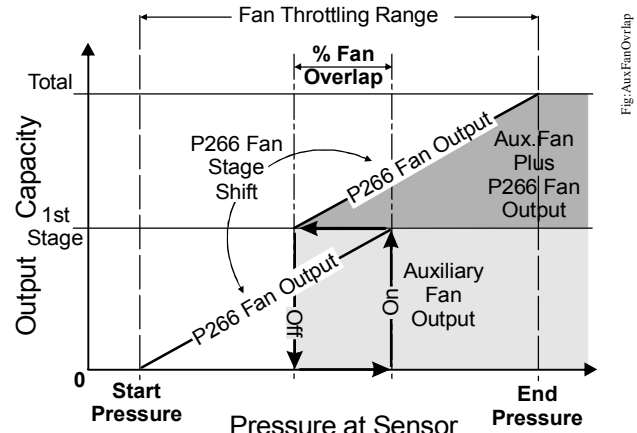


Figure 7: Speed-Controlled (P266) Fan Operating with One Auxiliary (On/Off) Fan Stage over the Entire Pressure Range

Auxiliary Fan Overlap Value

Auxiliary Fan Overlap value determines the pressure range overlap (as a percentage of the total pressure [throttling] range) between the fan stages set up on the P266 Series control. The fan overlap value is equal for all auxiliary fan stages set up on the control.

Increasing the Auxiliary Fan Overlap value decreases the (On/Off) cycling rate of the auxiliary fans and increases the pressure differential between auxiliary fan stages (which increases the pressure range of each auxiliary fan stage).

Note: If the P266 Series control is set for no auxiliary fans, the Auxiliary Fan Overlap value is not used. See Table 2 for information on setting the number of auxiliary fans used in your application.

Changeover Voltage Value

The Changeover Voltage value determines the voltage at which the P266 Series control enables and disables the M3 triac and the low-speed capacitor (Figure 6). See [Determining Changeover Voltage Value](#).

Setting Values and Modes

To change settings and values on a P266 Series control:

1. Determine the operating pressure setpoints (psi or bar), voltage inputs and outputs (VAC), and the other modes of operation required for your condenser fan motor control application.
2. Convert the selected pressure setpoints (psi or bar) and voltage targets (VAC) into P266 Series control values. See [P266 Series Control Values and Modes](#) and Table 2.
3. Position the DIP switches to set the new values and/or modes. See [Setting up the DIP Switch Block](#).
4. Press and hold the push button until the number of LED flashes indicates the desired value or set of values and/or mode settings. Release the push button **after**:

- **two flashes** to save the Low Pressure mode setting and the Start Voltage value
- **three flashes** to save the Start Pressure value
- **four flashes** to save the End Pressure value
- **five flashes** to save the Split Winding, End Voltage, Low-speed Capacitor Mode, and Auxiliary Fan Stages mode settings
- **six flashes** to save the Auxiliary Fan Overlap value
- **seven flashes** to save the Changeover Voltage value

Note: See Table 2 for more information about the values and modes that are associated with the number of LED flashes.

5. Repeat Steps 3 and 4 for the next value and/or mode you need to change.
6. After you save all of the new values and mode settings, set all of the DIP switches to the On position to lock out the push button operation.

Setting up the DIP Switch Block

To set new values and modes on the DIP switch block:

1. Position all of the switches on the DIP switch block to the Off position.

2. Position the numbered switches to ON so that the total of the switch numbers (in the ON position) equals the desired setup value. Start with the highest number switch that is less than the setup value. (For example, if the desired setup value is 185, position switch 128 to ON first. Then position switch 32 ON, followed by switch 16, switch 8, and switch 1 [$128+32+16+8+1=185$] [Figure 8]).

Mode settings require you to position only one or two switches on the DIP switch block, depending on the mode. See Table 2 for more information about the values and modes that are associated with the number of LED flashes.

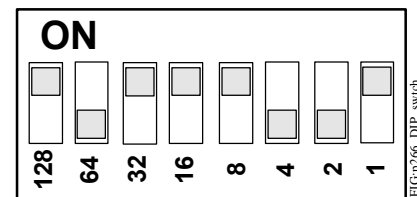


Figure 8: A DIP Switch Block with the Switches Positioned for a Setup Value of 185

IMPORTANT: All of the switches on the DIP switch block must be set to the proper positions for your application before you press and release the push button to save the values and/or mode settings. See Table 2 for more information on switch positions.

Test Voltage Mode

Test Voltage mode is a setup and diagnostic tool in the P266 Series control firmware that allows you to test a condenser fan motor's operation at different voltage values in the field and determine the optimal Start Voltage value for your P266 Series control application.

Test Voltage mode also allows you to determine and set the optimal Changeover Voltage value for the M3 triac in P266 Series control applications that use a low-speed capacitor.

To use the Test Voltage Mode, you need:

- a P266 Series control model designed for your condenser fan application
- access to the condenser (and fan motor) controlled by your P266 Series control
- a clamp-on ampere meter with 15 A range (to check changeover current draw when determining Changeover Voltage value)
- an insulated probe to hold down the push-button and change the DIP switch positions

- a 24 VAC Class 2 power supply (**only** for P266 Series control models that require an external 24 VAC power supply)
- a Low-Speed Capacitor (LSC), sized for the fan motor (**only** for P266 Series control applications that use a low-speed capacitor)

Note: The LSC should be equal in both the voltage range and the microfarad value to the motor manufacturer's auxiliary capacitor, but the LSC must not exceed 15 microfarads.

Setting up Test Voltage Mode

Before you power on a P266 Series control and enable the Test Voltage mode on the control:

1. Read and follow the guidelines and procedures in the [Mounting](#) and [Wiring](#) sections.
2. Mount and wire the P266 Series control in your condenser application and observe these additional guidelines:
 - Refer to the label inside the P266 Series control housing cover for model-specific wiring details. See [Wiring](#) for some wiring options.
 - Wire the auxiliary and main windings according to the motor manufacturer's instructions and your application requirements. Split the windings (at the winding leads) and power them separately, if your application and motor allow for split-winding operation. See Figure 3 and Figure 4.
 - If your application uses an optional low-speed capacitor, wire the LSC to the M3 triac and motor **only** after you have checked and recorded the current draw at maximum. See [Determining Changeover Voltage Value](#).
 - If your P266 Series control model requires an external 24 VAC power supply for control operation, wire that power supply to the control. (Refer to the wiring label inside the P266 Series control cover for external power supply requirements.)
 - You do **not** have to connect, wire, or power the P266 transducer, or put a load on the condenser to operate a P266 Series control in the Test Voltage mode. Test Voltage mode allows you to use the DIP switch to set the voltage supplied to the motor by the P266 Series control.

3. Set up the P266 Series control and the condenser fan motor for the intended operation, by setting the required values and modes of operation for your condenser fan application. See [Setup and Adjustments](#) for procedures.

Determining Changeover Voltage Value

In the Test Voltage mode, you can determine and set the Changeover Voltage value for P266 Series control applications that use an optional low-speed capacitor. To determine and set the Changeover Voltage value:

1. Mount, wire, and set up the P266 Series control and the condenser fan motor for operation in the Test Voltage mode. See [Setting up Test Voltage Mode](#).
- Note:** Do **not** wire the low-speed capacitor until Step 6 of this procedure.
2. Set all of the DIP switches except switch 1 to the ON position; set switch 1 to OFF.
3. Apply line-voltage power to the P266 Series control (and the external 24 VAC power supply on required models), then, within the first 30 seconds after applying power, press and release the push button three times. The LED goes off and stays off, and the fan motor accelerates to maximum speed (at 95 or 97% of maximum voltage) and stays at the maximum voltage for up to 5 minutes.
4. At maximum voltage, use the clamp-on ampere meter to check the current draw (in amperes) of the fan motor auxiliary windings and record the auxiliary windings current draw for the motor at maximum voltage.
5. Disconnect line-voltage power to the P266 Series control (and the external 24 VAC power supply on required models).
6. Wire the low-speed capacitor to the M3 triac and the motor auxiliary windings. (See Figure 3 and Figure 4 for M3 triac wiring options.)
7. Set all of the DIP switches except switches 8 and 32 to the OFF position; set switches 8 and 32 to the ON position. (8 + 32 = 40% of maximum voltage value.)
8. Apply line-voltage power to the P266 Series control (and the external 24 VAC power supply on required models), then, within the first 30 seconds after applying power, press and release the push button three times. The LED goes off and stays off, and the fan motor accelerates to the speed at 40% of the maximum voltage (for up to 5 minutes).

9. At 40% of maximum voltage, use the clamp-on ampere meter to check the current draw (in amperes) of the fan motor auxiliary windings connected to both capacitors and record the current draw for the auxiliary winding at 40% voltage.
10. Repeat Step 7 but increase the percent voltage value by 8%, then repeat Step 8, Step 9, and Step 10 at the increased voltage values until the current draw equals the (maximum voltage) current draw recorded in Step 4.

Note: If the motor stops or does not run smoothly, reduce the voltage value on the DIP switches by 4% and test the motor operation.

11. The DIP switch voltage value is now equal to the highest voltage of the low-speed mode or the Changeover Voltage value.
12. Press and hold the push button until the LED flashes 3 times, then release the button. The Changeover Voltage value is set and saved on the P266 Series control.

Note: If you want to also determine and set the Start Voltage value for your P266 Series control and motor, you can go directly to Step 3 of the [Determining Start Voltage Value](#) procedure.
13. Disconnect power to the P266 Series control and set all of the DIP switches to the On position to lock out the push button operation.
14. Reconnect power to the P266 Series control to resume normal motor speed control.

Determining Start Voltage Value

In the Test Voltage mode, you can also determine and set the Start Voltage value on for P266 Series control application.



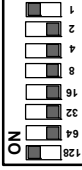

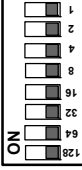

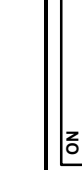

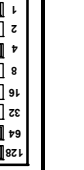


To determine and set the Start Voltage value:

1. Mount, wire, and set up the P266 Series control and the condenser fan motor for operation in the Test Voltage mode. See [Setting up Test Voltage Mode](#).

Note: If your application uses Split Winding mode and Low Speed Capacitor mode, wire the split windings and low-speed capacitor according to your application requirements (Figure 3A and Figure 4A).

2. Apply line-voltage power to the P266 Series control (and the external 24 VAC power supply on required models), then, within the first 30 seconds after applying power, press and release the push button three times. The LED goes off and stays off.
3. Position the DIP switches so that the total value of the switches positioned ON is equal to a percentage value equal to or slightly higher than your estimated Start Voltage value. (For example, if you estimate the start voltage of the motor to be 25% of the total voltage, position switches 16, 8, 4, and 2 ON. $16 + 8 + 4 + 2 = 30\%$, which is slightly higher than your 25% estimate.) The fan motor accelerates to the speed at 30% of maximum voltage and stays at that speed.
4. Observe the fan motor operation and determine if the applied start voltage runs the motor at the desired start speed:
 - If the start speed and motor operation meet your application requirements, go to Step 5.
 - If the start speed or operation does not meet your application requirements, return to Step 3 and set a new estimated Start Voltage value to generate the desired motor start speed.
5. When your motor is running at the desired start speed (Start Voltage value), press and hold the push button until the LED flashes 2 times in succession, then release the push button. The Start Voltage value is set and saved on the P266 Series control.
6. Disconnect power to the P266 Series control and set all of the DIP switches to the ON position to lock out the push button operation.
7. Reconnect power to the P266 Series control to resume normal motor speed control.

Table 2: LED Flash Sequences, Setup Values, Mode Settings on DIP Switch Block and Default Values and Mode Settings Example

Release Push Button After...	Value/Mode Name (Binary Switch Number)	Value Range/Mode Settings (Example Default Settings)	Switch Number and Position Description of Value/Setting	DIP Switch Block Example Default Settings
Two Flashes	Low Speed Mode (Switch 128)	Settings: ON or Off (Default Setting: Off)	Switch 128 Off = No voltage to motor when sensed pressure is below start pressure. Switch 128 ON = Start voltage to motor when sensed pressure is at or below start pressure.	
	Start Voltage Value (Switches 1 to 64)	Value Range: 10 to 90 (Default Value: 40)	Position Switches 1 to 64 ON or Off so that the sum of the switches set to ON equals the Start Voltage Value.	
Three Flashes	Start Pressure Value (Switches 1 to 128)	Value Range: 10 to 230 (Default Value: 110)	Position Switches 1 to 128 ON or Off so that the sum of the switches set to ON equals the Start Pressure Value.	
	End Pressure Value (Switches 1 to 128)	Value Range: [Start Pressure + 8] to 240 (Default Value: 129)	Position the Switches 1 to 128 ON or Off so that the sum of the switches set to ON equals the End Pressure Value.	
Five Flashes (Switches 64 and 128 Off)	Split Winding Mode (Switch 32)	Settings: ON or Off (Default Setting: Off)	Switch 32 ON = M2 Triac enabled to power split windings. Switch 32 Off = M2 Triac is disabled.	
	End Voltage Mode (Switch 16)	Settings: ON or Off (Default Setting: Off)	Switch 16 ON = Provides 95% of P266 input voltage to motor. Switch 16 Off = Provides 97% of P266 input voltage to motor.	
	Digital Scroll Compressor Algorithm (Switch 8)	Settings: ON or Off (Default Setting: Off)	Switch 8 ON = Digital Scroll algorithm enabled. Switch 8 Off = Digital Scroll algorithm disabled.	
	Low Speed Capacitor Mode (Switch 4)	Settings: ON or Off (Default Setting: Off)	Switch 4 ON = Low-speed capacitor is available. Switch 4 Off = Low-speed capacitor is not available.	
	Number of Auxiliary Fan Stages (Switches 1 and 2)	Settings: ON or Off (Default Setting: Off - Off)	Position switches 1-Off and 2-Off for no auxiliary fans. Position switches 1-On and 2-Off for auxiliary fan 1. Position switches 1-Off and 2-On for auxiliary fans 1 and 2. Position switches 1-On and 2-On for auxiliary fan 1, 2, and 3.	
Six Flashes (Switch 128 Off)	Auxiliary Fan Overlap (Switches 1 to 64)	Value Range: 1 to 90 (Default Value: 10)	Position Switches 1 to 64 ON or Off so that the sum of the switches set to ON equals the Auxiliary Fan Overlap Value.	
	Seven Flashes (Switch 128 Off)	Value Range: 10 to 80 (Default Value: 60)	Position Switches 1 to 64 ON or Off so that the sum of the switches set to ON equals the Changeover Voltage value.	

P266 Electronic Pressure Transducers

P266 Series controls are designed to reference either one or two Johnson Controls P266 Electronic Pressure Transducers to monitor condenser pressure.

P266 transducers are specialized versions of the P499 Series Electronic Pressure Transducers designed for use with P266 Series controls. See Table 3 for the available P266 transducer models.

Note: On P266 Series control applications that use two P266 transducers, the P266 Series control always references the transducer that is sensing the highest pressure.

IMPORTANT: When two P266 transducers are connected to a P266 Series control, the transducers must be the same model (product code number). Failure to connect the same P266 transducer models to the P266 Series control can result in erratic control behavior.

Refer to the *P499 Series Electronic Pressure Transducers Product/Technical Bulletin (LIT-12011190)* for information on installing P266 transducers.

Table 3: P266SNR Electronic Pressure Transducers

Product Code Number	Description
P266SNR-1C	Electronic Pressure Transducer: 0 to 35 bar (0 to 508 psi) total range with a 1/4 in. SAE Female Flare connection and a 2 meter (3.1 ft) cable.
P266SNR-2C	Electronic Pressure Transducer: 0 to 52 bar (0 to 754 psi) total range with a 1/4 in. SAE Female Flare connection and a 2 meter (3.1 ft) cable.

Technical Specifications

P266xxx-x Single-Phase Condenser Fan Speed Control

Input Supply Power	208/240 VAC 50/60 Hz, 380/460 VAC 50/60 Hz, or 480/575 VAC 50/60 Hz depending on model (Refer to the label inside the P266 control housing cover for rated voltage range and model-specific wiring diagram.)
Short Circuit Current Rating	Suitable For Use On A Circuit Capable Of Delivering Not More Than 5,000 rms Symmetrical Amperes, 600 Volts Maximum When Protected By Class H Fuses.
Low-Voltage Power Supply	P266A, P266B, and P266C Types: External 24 VAC Class 2, 20 VA Supply Transformer P266Exx Types: Low-voltage power for P266 control is provided by an onboard transformer. Note: When auxiliary fan starters are connected to P266E type controls, you must provide an external Safety Extra-Low Voltage (SELV) AC supply to power the fan starters (Figure 2).
Ambient Operating Conditions	Temperature: -40 to 60°C (-40 to 140°F) Humidity: Up to 95% RH non-condensing; Maximum Dew Point 29°C (85°F)
Ambient Shipping and Storage Conditions	Temperature: -40 to 85°C (-40 to 185°F) Humidity: Up to 95% RH non-condensing; Maximum Dew Point 29°C (85°F)
Low-Voltage Connections	1/4 in. Quick-Connect terminals, 30 m (100 ft) maximum wiring runs
Input Transducer	P266SNR-x Pressure Transducer: 5 VDC for 0.5 to 4.5 VDC ratiometric analog signal
Enclosure Type	NEMA 3R, IP54
Case Construction	Aluminum Die Casting
Cover Construction	UV Stabilized Polycarbonate

P266xxx-x Single-Phase Condenser Fan Speed Control

Dimensions (HxWxD)	159 x 177 x 70 mm (6-1/4 x 7 x 2-3/4 in.)
Weight	Heaviest Model Weight: 1.0 kg (2.2 lb) Approximate Shipping Weight: 1.2 kg (2.6 lb)
Compliance	Europe: Mark: CE Compliant; CENELEC EN 60947-1 & 4-2; RoHS Directive (2002/95/EC); WEEE Directive (2002/96/EC)
	North America: cULus File 244421; FCC Compliant to CFR47, Part 15, Subpart B, Class B Industry Canada (IC) Compliant to Canadian ICES-003, Class B limits
	Australia: C-Tick Compliant (N1813)

The performance specifications are nominal and conform to acceptable industry standards. For application at conditions beyond these specifications, consult Johnson Controls Application Engineering at (414) 524-5535. Johnson Controls, Inc. shall not be liable for damages resulting from misapplication or misuse of its products.

United States Emissions Compliance (FCC)

This equipment has been tested and found to comply with the limits for a Class B digital device, pursuant to Part 15 of the FCC Rules. These limits are designed to provide reasonable protection against harmful interference in a residential installation. This equipment generates, uses and can radiate radio frequency energy and, if not installed and used in accordance with the instructions, may cause harmful interference to radio communications. However, there is no guarantee that interference will not occur in a particular installation. If this equipment does cause harmful interference to radio or television reception, which can be determined by turning the equipment off and on, the user is encouraged to try to correct the interference by one or more of the following measures:

- Reorient or relocate the receiving antenna.
- Increase the separation between the equipment and receiver.
- Connect the equipment into an outlet on a circuit different from that to which the receiver is connected.
- Consult the dealer or an experienced radio/TV technician for help.

Canadian Emissions Compliance

This Class (B) digital apparatus meets all the requirements of the Canadian Interference-Causing Equipment Regulations.



Building Efficiency

507 E. Michigan Street, Milwaukee, WI 53202

Johnson Controls/PENN® are registered trademarks of Johnson Controls, Inc.
All other marks herein are the marks of their respective owners. © 2010 Johnson Controls, Inc.

Commande de vitesse de ventilateur de condensateur monophasé de la série P266

Instructions d'installation

P266xxx-x

Réf. n° 24-7664-2705, Rév. D
Date de publication 27 août 2010
Remplace 8 avril 2010

Application

IMPORTANT: N'utilisez cette commande de vitesse de ventilateur de condensateur monophasé série P266 qu'en tant que commande de fonctionnement. Si une panne ou un dysfonctionnement de la commande de vitesse de ventilateur série P266 risque d'entraîner des blessures ou des dommages matériels à l'équipement commandé ou à d'autres matériels, des précautions supplémentaires doivent être prévues dans le système de commande. Intégrez et conservez les autres dispositifs, tels que les systèmes de supervision ou d'alarme ou les commandes de sécurité ou de limitation, prévus pour avertir ou protéger des pannes ou des dysfonctionnements de la commande de vitesse de ventilateur série P266.



ATTENTION: Risque de Dégâts matériels

N'utilisez que des moteurs à condensateur permanent (PSC) monophasés approuvés par le fabricant pour l'application de commande de vitesse avec la commande série P266. Dans le cas contraire, vous pourriez endommager le moteur et d'autres équipements.

La commande de vitesse de ventilateur de condensateur monophasé série P266 est à la fois économique, compacte, résistante aux intempéries et durable pour les moteurs PSC monophasés utilisés dans une grande variété d'applications de condensateur de réfrigération et de climatisation.

Les commandes de vitesse de ventilateur série P266 sont conçues pour remplacer les commandes de vitesse de ventilateur des séries P66 et P215 de Johnson Controls®, et fournir des fonctions supplémentaires et une plus grande souplesse d'application.

Montage

Recommandations pour le choix de l'emplacement

Suivez les indications ci-dessous pour le choix de l'emplacement et le montage d'une commande de vitesse de ventilateur série P266:

- Assurez-vous que la surface et le matériel de montage peuvent supporter la commande et le câblage.

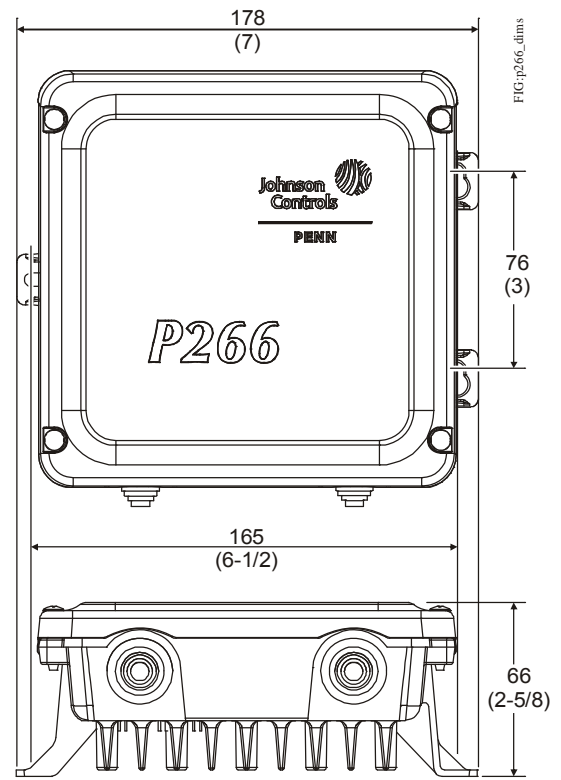


Figure 1: Condensateur monophasé P266
Dimensions de montage de la commande de vitesse de ventilateur, mm (po)

- Montez la commande série P266 droite sur une surface verticale en orientant les ailettes de la source de froid verticalement et les trous pour les conduits/câbles électriques vers le sol.
- Assurez-vous que l'air peut passer à travers les ailettes de la source de froid et prévoyez un dégagement d'au moins 10 cm (4 po) autour de la source de froid.
- Montez la commande série P266 dans un emplacement éloigné de sources de chaleur excessive et offrant des conditions ambiantes de fonctionnement conformes à celles spécifiées. Reportez-vous à la section *Caractéristiques techniques* pour connaître les conditions ambiantes de fonctionnement.

Câblage

Reportez-vous au schéma de câblage spécifique du modèle figurant sur l'étiquette intérieure de la commande série P266 et suivez les indications ci-dessous lors du câblage de la commande de vitesse série P266 :



AVERTISSEMENT: Risque de Choc électrique.

Débranchez ou isolez tous les blocs d'alimentation avant d'effectuer les branchements électriques. Plusieurs débranchements ou isollements peuvent être nécessaires pour éteindre complètement l'équipement. Le contact avec des composants transportant des tensions dangereuses peut provoquer des décharges électriques et entraîner des blessures graves ou la mort.

IMPORTANT: Ne raccordez pas la commande série P266 au secteur tant que vous n'avez pas terminé et vérifié tous les branchements. Des courts-circuits ou des câbles mal connectés peuvent endommager la commande série P266 et annuler la garantie.

IMPORTANT: Ne dépassez pas les caractéristiques électriques de la commande de vitesse de ventilateur série P266. Dans le cas contraire, vous pourriez causer des dommages permanents à la commande série P266 et annuler la garantie.

IMPORTANT: N'utilisez que des conducteurs en cuivre 60/75C. Réalisez tout le câblage conformément à la réglementation locale, régionale et nationale.

IMPORTANT: Une décharge électrostatique peut endommager les composants de la commande P266. Prenez les précautions adéquates contre les décharges électrostatiques (ESD) lors de l'installation et de l'entretien afin d'éviter d'endommager les composants de la P266.

- Assurez-vous que les câbles reliant la commande série P266 au moteur du ventilateur ne dépassent pas une longueur de 15 m (50 pi).
- Le diamètre des câbles connectés au bloc de jonction de tension secteur ne doit pas dépasser 3,31 mm² (12 AWG).
- La longueur des câbles basse tension doit être inférieure à 30 m (100 pi).

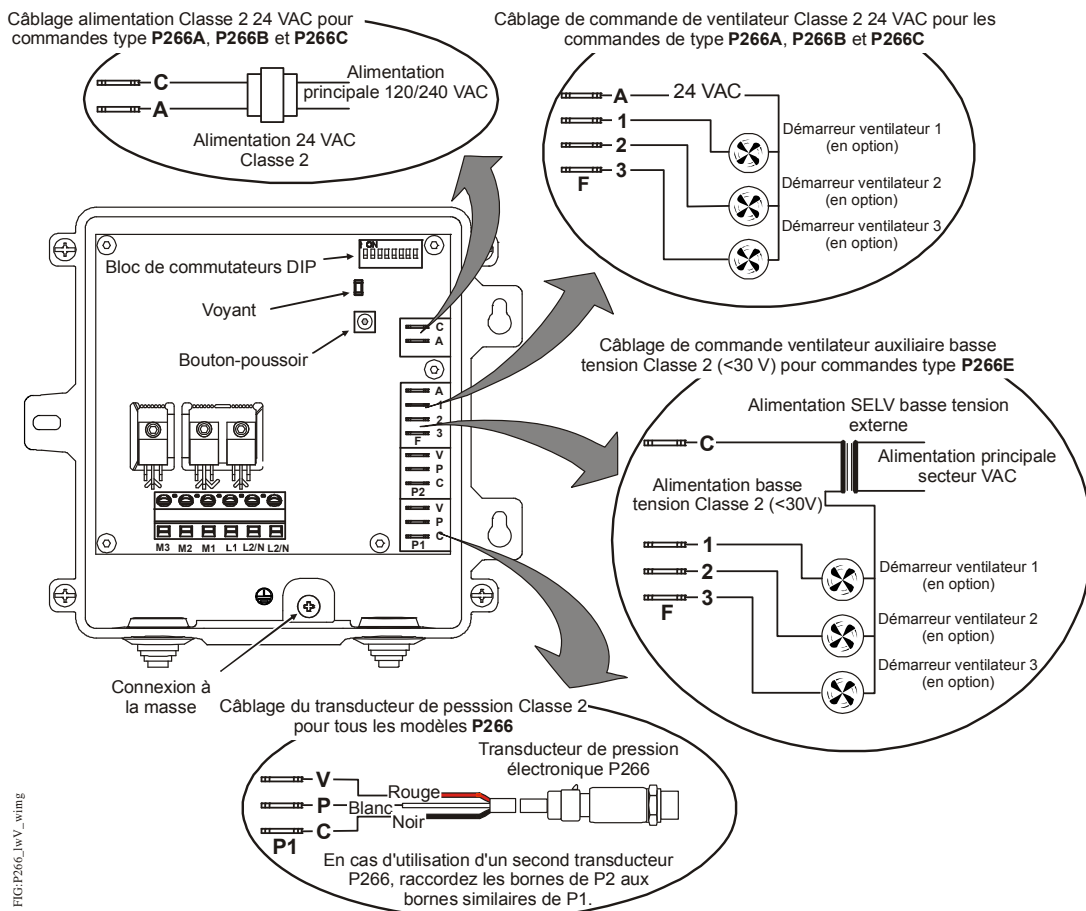


Figure 2: Caractéristiques physiques de la commande série P266 et câblage basse tension

Câblage basse tension

La Figure 2 présente les caractéristiques de la commande série P266 sous le couvercle du boîtier et les schémas de câblage basse tension pour les modèles de commande de type P266A, P266B, P266C et P266E.

Câblage haute tension

La Figure 3 présente les schémas de câblage haute tension pour les modèles de commande de type P266A, P266B, et la P266C. La Figure 4 présente les schémas de câblage haute tension pour les modèles de commande P266E.

IMPORTANT: La borne L2/N doit être reliée à l'alimentation secteur pour que la commande série P266 soit conforme aux limites d'un appareil de classe B en matière d'émission d'interférences radio selon la réglementation de la FCC et de la CEI.

Reportez-vous au Tableau 1 pour connaître les options de câblage haute tension disponibles pour les modèles de commande de type P266A, P266B, P266C et P266E.

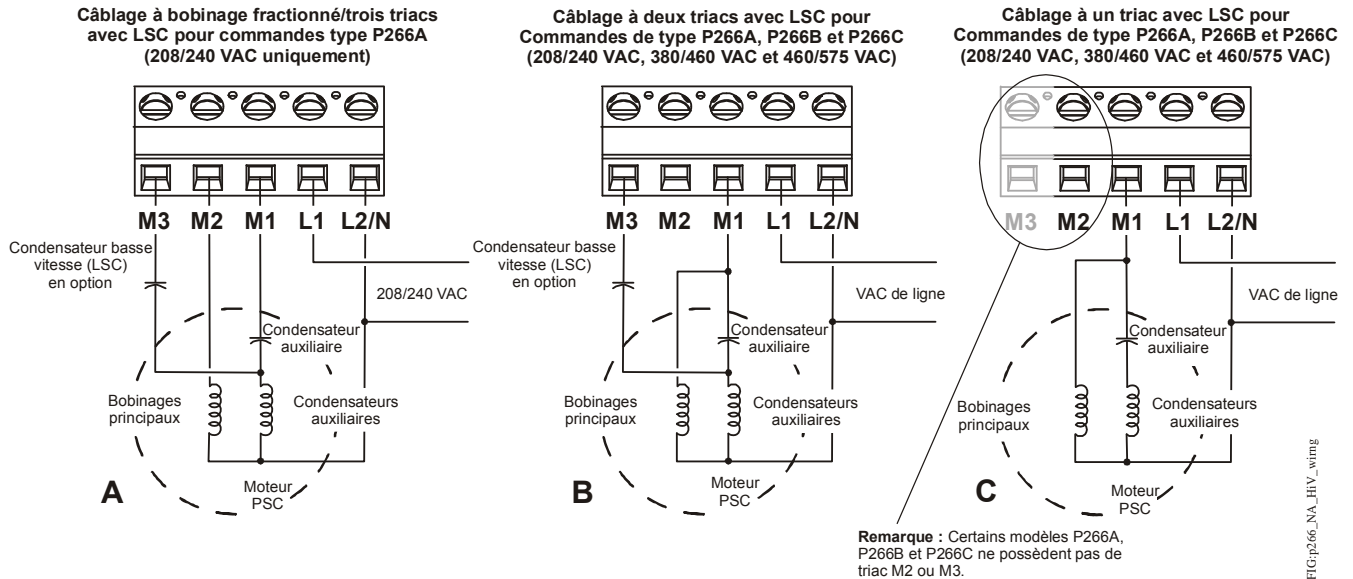


Figure 3: Options de câblage haute tension disponibles pour les commandes de type P266A, P266B et P266C

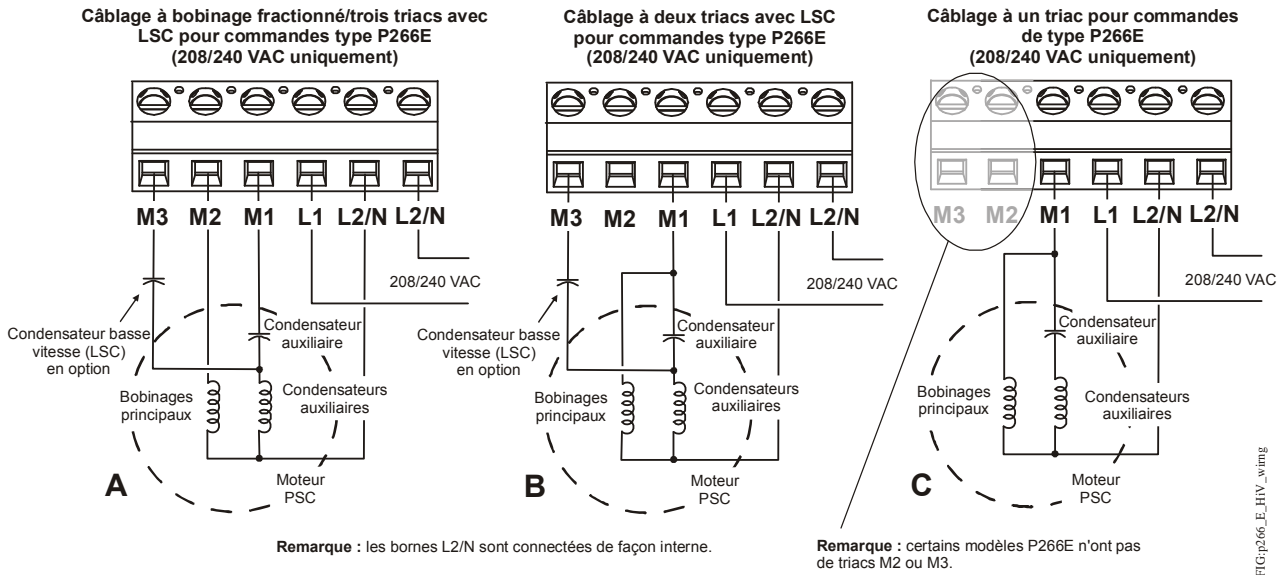


Figure 4: Options de câblage haute tension disponibles pour les commandes de type P266E

Tableau 1: Options de câblage haute tension et plages de tension par type de produit

Référence du type de produit	Bobinage fractionné/trois triacs avec condensateur basse vitesse	Deux triacs avec condensateur basse vitesse			Triac unique		
	208/240 VAC	208/240 VAC	380/460 VAC	460/575 VAC	208/240 VAC	380/460 VAC	460/575 VAC
P266AA	Voir Figure 3A	Voir Figure 3B	--	--	Voir Figure 3C	--	--
P266AB	Voir Figure 3A	Voir Figure 3B	--	--	Voir Figure 3C	--	--
P266AC	--	--	--	--	Voir Figure 3C	--	--
P266AD	--	--	--	--	Voir Figure 3C	--	--
P266BC	--	--	--	--	--	--	Voir Figure 3C
P266BD	--	--	--	--	--	--	Voir Figure 3C
P266BG	--	--	--	Voir Figure 3B	--	--	Voir Figure 3C
P266BH	--	--	--	Voir Figure 3B	--	--	Voir Figure 3C
P266EA	Voir Figure 4A	Voir Figure 4B	--	--	Voir Figure 4C	--	--
P266EB	Voir Figure 4A	Voir Figure 4B	--	--	Voir Figure 4C	--	--
P266EC	--	--	--	--	Voir Figure 4C	--	--
P266ED	--	--	--	--	Voir Figure 4C	--	--
P266EE	--	--	--	--	Voir Figure 4C	--	--
P266EF	--	--	--	--	Voir Figure 4C	--	--
P266CH	--	--	Voir Figure 3B	--	--	Voir Figure 3B	--

Configuration et réglages

Toutes les commandes série P266 sont expédiées avec des valeurs et modes par défaut réglés en usine. Dans la plupart des applications, il n'est pas nécessaire de modifier les valeurs et modes par défaut.

Si l'application de votre commande série P266 requiert la modification des valeurs et modes par défaut, procédez comme suit:

1. Calculez les nouvelles valeurs et déterminez les nouveaux réglages de mode requis pour votre application. (Voir *Valeurs et modes de la commande série P266*.)
2. Modifiez les réglages existants en indiquant les nouvelles valeurs et modes à l'aide de l'interface de configuration de la commande série P266. (Voir *Réglage des valeurs et des modes*.)

Interface de configuration de la commande série P266

L'interface de configuration de la commande série P266 est constituée d'un bloc de commutateurs DIP doté de huit commutateurs bipolaires, d'un commutateur à bouton-poussoir et d'un voyant lumineux vert (Figure 2). Vous pouvez modifier les valeurs et modes par défaut réglés en usine en changeant la position des commutateurs DIP et en enregistrant les nouveaux réglages. Le nombre de clignotements du voyant (en séquence) indique les valeurs et/ou modes que vous enregistrez. Reportez-vous au Tableau 2 pour en savoir plus sur les séquences de clignotements du voyant, les valeurs et les modes.

Lors du fonctionnement normal, le voyant vert est allumé. Lorsque vous maintenez le bouton-poussoir **enfoncé**, le voyant s'éteint pendant 3 secondes, puis clignote deux fois. Ensuite, il s'éteint à nouveau pendant 3 secondes, puis clignote trois fois, et ainsi de suite jusqu'à atteindre sept clignotements ou jusqu'à ce que le bouton-poussoir soit relâché.

Chaque séquence de clignotements indique une valeur, ou bien une valeur et un ensemble de réglages de mode. Lorsque le bouton-poussoir est relâché après la séquence de clignotements souhaitée, la valeur et/ou les modes réglés à ce moment sur le bloc de commutateurs DIP sont enregistrés. Reportez-vous au Tableau 2 pour en savoir plus.

Une fois la configuration terminée, placez tous les commutateurs DIP sur la position ON pour verrouiller les boutons-poussoirs.

Valeurs et modes de la commande série P266

Les commandes série P266 comportent jusqu'à dix valeurs et modes (dans six séquences de clignotements) modifiables sur site. Reportez-vous au Tableau 2 pour en savoir plus sur les séquences de clignotements, et les valeurs/modes associés.

Valeur de la tension de démarrage

La tension de démarrage (VAC) est la tension fournie par la commande série P266 au moteur du ventilateur pour le faire tourner à la vitesse minimale dans votre application.

La **valeur de la tension de démarrage** est un pourcentage de la tension d'entrée de la commande série P266. Utilisez la formule ci-dessous pour calculer la valeur de la tension de démarrage pour votre application.

$$\frac{\text{Tension démarrage (VAC)}}{\text{Alimentation principale commande P266 (VAC)}} = \text{Valeur de la tension de démarrage (\%)}$$

Mode basse pression

Le mode basse pression détermine si le moteur du ventilateur est en marche (à la tension de démarrage/ vitesse minimale) ou à l'arrêt lorsque la pression détectée au niveau du transducteur P266 est inférieure au point de consigne de la pression de démarrage.

Valeur de la pression de démarrage

La pression de démarrage (bar ou psi) est le point de consigne de pression auquel la commande série P266 délivre la tension de démarrage et fait tourner le moteur du ventilateur à la vitesse minimale. La **valeur de la pression de démarrage** est fonction du point de consigne de pression de démarrage et de la plage de pression du transducteur P266. Utilisez la formule ci-dessous pour calculer la valeur de la pression de démarrage. Reportez-vous au Tableau 3 pour connaître les plages de pression du transducteur P266.

$$\frac{\text{Point de consigne de pression de démarrage (bar ou psi)}}{\text{Plage de pression du transducteur P266 (bar ou psi)}} \times 250 = \text{Valeur de la pression de démarrage}$$

Valeur de la pression finale

Le point de consigne de pression finale est la pression (bar ou psi) à laquelle la commande série P266 délivre la tension finale et fait tourner le moteur du ventilateur à la vitesse maximale. La **valeur de la pression finale** est fonction du point de consigne de pression finale et de la plage de pression totale du transducteur. Utilisez la formule ci-dessous pour calculer la valeur de la pression finale pour votre application. Reportez-vous au Tableau 3 pour connaître les plages de pression du transducteur P266.

$$\frac{\text{Point de consigne de pression de démarrage (bar ou psi)}}{\text{Plage de pression du transducteur P266 (bar ou psi)}} \times 250 = \text{Valeur de la pression finale}$$

Mode bobinage fractionné

Certains moteurs PSC monophasés possèdent des fils de bobinage de moteur fractionnés. L'activation du mode bobinage fractionné permet au triac M2 d'alimenter les bobinages principaux (et non les bobinages auxiliaires), ce qui augmente le rendement du moteur (Figure 3A et Figure 4A).

Remarque: Le mode bobinage fractionné n'est disponible que pour les moteurs PSC monophasés de **240 VAC munis de fils de bobinage fractionnés**. Reportez-vous aux instructions d'installation du fabricant du moteur pour déterminer si votre moteur de ventilateur peut être raccordé de manière à permettre le mode bobinage fractionné.

Mode compresseur Copeland Digital Scroll™

Le mode Digital Scroll Compressor vous permet d'utiliser la commande série P266 sur un système doté d'un compresseur à défilement numérique. Si l'activation du mode Digital Scroll Compressor échoue lorsque vous utilisez un compresseur à défilement numérique, le ventilateur du condensateur risque d'osciller.

Mode tension finale

La tension finale est la tension délivrée par la commande série P266 (exprimée en pourcentage de la tension totale), qui est maintenue lorsque la pression surveillée est égale ou supérieure à la pression finale. Le mode tension finale peut être réglé sur 95 ou 97 % de la tension d'entrée totale. Voir Figure 5.

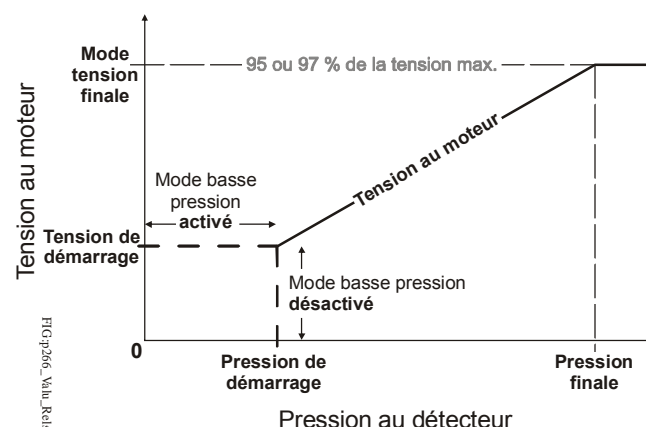


Figure 5: Rapport entre les variables de la commande de vitesse de ventilateur P266

Mode condensateur basse vitesse

Dans certaines applications de vitesse de ventilateur, un condensateur basse vitesse (LSC) (fourni par l'utilisateur) peut être connecté au triac M3 de la commande série P266 et au moteur de ventilateur commandé (Figure 3 et Figure 4). Le condensateur basse vitesse est activé aux basses tensions afin d'optimiser le rendement du moteur de ventilateur. Activez le mode condensateur basse vitesse lorsqu'un condensateur basse vitesse est utilisé.

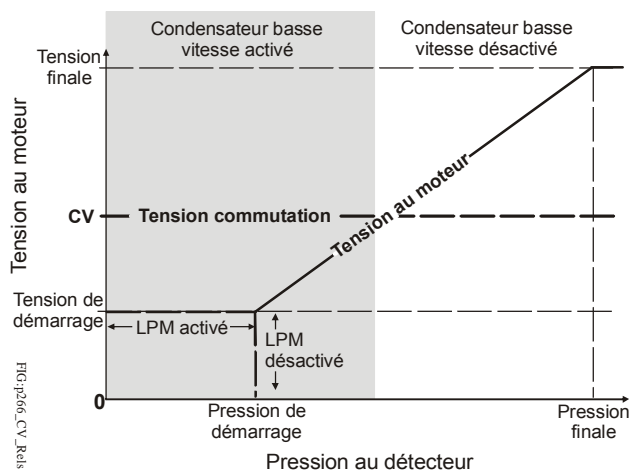


Figure 6: Fonctionnement du condensateur basse vitesse

Remarque: Le condensateur basse vitesse en option doit avoir la même plage de tension et la même valeur de microfarad que le condensateur auxiliaire fourni par le fabricant, sans dépasser 15 microfarads.

Remarque: Lorsqu'un condensateur basse vitesse est utilisé dans l'application de votre commande série P266, vous devez également régler la valeur de la tension de commutation. Reportez-vous aux sections Valeur de la tension de commutation et Détermination de la valeur de la tension de commutation pour en savoir plus sur le réglage de la valeur de la tension de commutation.

Mode étagé de ventilateur auxiliaire

Vous pouvez régler la commande série P266 pour qu'elle active/désactive jusqu'à trois moteurs de ventilateur ou étages de ventilateur supplémentaires (à vitesse fixe) conjointement avec le ventilateur à vitesse variable commandé par la commande série P266.

Trois circuits basse tension (Figure 2) peuvent être raccordés afin de commander les démarreurs de moteur/étage de ventilateur auxiliaire. Reportez-vous au Tableau 2 pour en savoir plus sur le réglage du nombre de ventilateurs auxiliaires utilisés dans votre application.

La Figure 7 présente une application de commande série P266 avec un ventilateur auxiliaire fonctionnant conjointement avec le ventilateur à vitesse commandée. Lorsque la charge du condensateur dépasse la puissance nette du ventilateur à vitesse commandée, la commande série P266 active le ventilateur auxiliaire et établit une nouvelle pression de démarrage pour le ventilateur à vitesse commandée (P266).

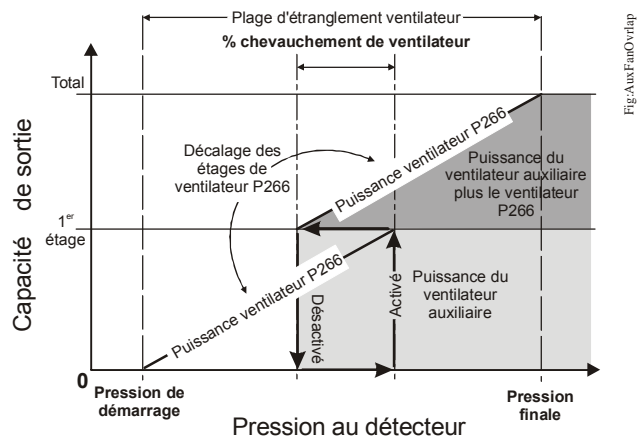


Figure 7: Ventilateur à vitesse commandée (P266) fonctionnant avec un étage de ventilateur auxiliaire (marche/arrêt) sur toute la plage de pression

Valeur de chevauchement de ventilateur auxiliaire

La valeur de chevauchement de ventilateur auxiliaire détermine le chevauchement de la plage de pression (exprimée en pourcentage de la plage de pression totale [étranglement]) entre les étages de ventilateur configurés sur la commande série P266. La valeur de chevauchement de ventilateur est identique pour tous les étages de ventilateur auxiliaire configurés sur la commande.

L'augmentation de la valeur de chevauchement de ventilateur auxiliaire réduit la cadence du cycle de fonctionnement (marche/arrêt) des ventilateurs auxiliaires et augmente le différentiel de pression entre les étages de ventilateur auxiliaire (ce qui augmente la plage de pression de chaque étage de ventilateur auxiliaire).

Remarque: Si la commande série P266 est réglée pour un fonctionnement sans ventilateur auxiliaire, la valeur de chevauchement de ventilateur auxiliaire n'est pas utilisée. Reportez-vous au Tableau 2 pour en savoir plus sur le réglage du nombre de ventilateurs auxiliaires utilisés dans votre application.

Valeur de la tension de commutation

La valeur de la tension de commutation détermine la tension à laquelle la commande série P266 active et désactive le triac M3 et le condensateur basse vitesse (Figure 6). Voir Détermination de la valeur de la tension de commutation.

Réglage des valeurs et des modes

Pour modifier les réglages et valeurs sur une commande série P266, procédez comme suit:

1. Déterminez les points de consigne de pression de fonctionnement (bar ou psi), les entrées et sorties de tension (VAC), et les autres modes de fonctionnement requis pour l'application de votre commande de moteur de ventilateur de condensateur.
2. Convertissez les points de consigne de pression sélectionnés (bar ou psi) et les tensions cibles (VAC) en valeurs de la commande série P266. Voir les sections Valeurs et modes de la commande série P266 et le Tableau 2.
3. Positionnez les commutateurs DIP de façon à régler les nouvelles valeurs et/ou nouveaux modes. Voir Réglage du bloc de commutateurs DIP.
4. Maintenez le bouton-poussoir enfoncé jusqu'à ce que le nombre de clignotements du voyant indique la valeur ou l'ensemble de valeurs et/ou de réglages de mode souhaité. Relâchez le bouton-poussoir **après**:

- **deux clignotements** pour enregistrer le réglage de mode basse pression et la valeur de tension de démarrage;
- **trois clignotements** pour enregistrer la valeur de pression de démarrage;
- **quatre clignotements** pour enregistrer la valeur de pression finale;
- **cinq clignotements** pour enregistrer la tension finale de bobinage fractionné, le mode condensateur basse vitesse et les réglages de mode d'étages de ventilateur auxiliaire;
- **six clignotements** pour enregistrer la valeur de chevauchement de ventilateur auxiliaire;
- **sept clignotements** pour enregistrer la valeur de tension de commutation.

Remarque: Reportez-vous au Tableau 2 pour en savoir plus sur les valeurs et modes associés au nombre de clignotements du voyant.

5. Répétez les étapes 3 et 4 pour la valeur et/ou le mode suivant à modifier.
6. Une fois que vous avez enregistré toutes les nouvelles valeurs et les réglages de mode, mettez tous les commutateurs DIP sur la position ON afin de verrouiller le fonctionnement du bouton-poussoir.

Réglage du bloc de commutateurs DIP

Pour régler les nouvelles valeurs et les modes sur le bloc de commutateurs DIP, procédez comme suit:

1. Mettez tous les commutateurs du bloc de commutateurs DIP sur la position OFF.

2. Placez les commutateurs numérotés sur ON de sorte que le total des chiffres des commutateurs (sur la position ON) soit égale à la valeur de réglage souhaitée. Commencez par le commutateur possédant le plus grand chiffre inférieur à la valeur de réglage. (Par exemple, si la valeur de réglage souhaitée est 185, mettez d'abord sur ON le commutateur 128, puis le commutateur 32, le commutateur 16, le commutateur 8 et le commutateur 1 [128+32+16+8+1=185] [Figure 8]).

Pour les réglages de mode, seuls un ou deux commutateurs du bloc de commutateurs DIP doivent être actionnés, selon le mode. Reportez-vous au Tableau 2 pour en savoir plus sur les valeurs et modes associés au nombre de clignotements du voyant.

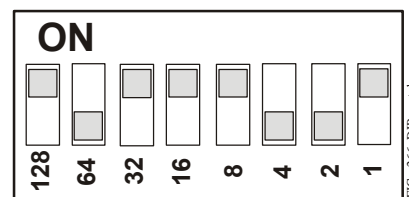


Figure 8: Bloc de commutateurs DIP avec commutateurs positionnés pour une valeur de réglage de 185

IMPORTANT: Vous devez régler **tous** les commutateurs du bloc de commutateurs DIP sur les positions appropriées pour votre application avant d'enfoncer et de relâcher le bouton-poussoir afin d'enregistrer les valeurs et/ou les réglages de mode. Reportez-vous au Tableau 2 pour en savoir plus sur les positions des commutateurs.

Mode tension d'essai

Le mode tension d'essai est un outil de configuration et de diagnostic du micrologiciel de la commande série P266 qui permet de tester le fonctionnement d'un moteur de ventilateur de condensateur à différentes valeurs de tension sur le site, et de déterminer la valeur de tension de démarrage optimale pour l'application de votre commande série P266.

Le mode tension d'essai permet également de déterminer et de régler la valeur de tension de commutation optimale pour le triac M3 dans les applications de la commande série P266 qui utilisent un condensateur basse vitesse.

Pour utiliser le mode tension d'essai, vous avez besoin des éléments suivants:

- un modèle de commande série P266 conçu pour votre application de ventilateur de condensateur;
- un accès au condensateur (et au moteur de ventilateur) piloté par votre commande série P266;
- un ampèremètre-pince avec une plage de 15 A (pour vérifier la consommation électrique de commutation lors de la détermination de la valeur de la tension de commutation);

- une sonde isolée pour maintenir enfoncé le bouton-poussoir et changer les positions des commutateurs DIP;
- une source d'alimentation de classe 2 de 24 VAC (**uniquement** pour les modèles de commande série P266 qui requièrent une source d'alimentation externe de 24 VAC);
- un condensateur basse vitesse (LSC), adapté au moteur de ventilateur (**uniquement** pour les applications de commande série P266 qui utilisent un condensateur basse vitesse).

Remarque: Le LSC doit avoir la même plage de tension et la même valeur de microfarad que le condensateur auxiliaire du fabricant du moteur, sans dépasser 15 microfarads.

Configuration du mode tension d'essai

Avant de mettre sous tension une commande série P266 et d'activer le mode tension d'essai sur la commande, procédez comme suit:

1. Lisez et suivez les indications et procédures figurant dans les sections Montage et Câblage.
2. Montez et raccordez la commande série P266 à votre application de condensateur, puis suivez les indications complémentaires suivantes:
 - Reportez-vous à l'étiquette située à l'intérieur du couvercle du boîtier de la commande série P266 pour connaître les détails de câblage spécifiques du modèle. Reportez-vous à la section Câblage pour connaître les options de câblage.
 - Reliez les bobinages auxiliaires et principaux conformément aux instructions du fabricant du moteur et selon les exigences de votre application. Divisez les bobinages (au niveau des fils de bobinage) et mettez-les sous tension séparément si votre application et votre moteur permettent un fonctionnement avec un bobinage fractionné. Voir Figure 3 et Figure 4.
 - Si votre application utilise un condensateur basse vitesse en option, reliez le LSC au triac M3 et au moteur **uniquement** après avoir vérifié et enregistré la consommation électrique à la vitesse maximale. Voir Détermination de la valeur de la tension de commutation.
 - Si le modèle de votre commande série P266 requiert une source d'alimentation externe de 24 VAC pour le fonctionnement de la commande, reliez cette source d'alimentation à la commande. (Reportez-vous à l'étiquette de câblage située à l'intérieur du couvercle de la commande série P266 pour connaître les exigences de la source d'alimentation externe.)

- Il n'est **pas** nécessaire de connecter, relier ou mettre sous tension le transducteur P266, ou de mettre une charge sur le condensateur pour faire fonctionner la commande série P266 en mode tension d'essai. Le mode tension d'essai vous permet d'utiliser le commutateur DIP pour régler la tension délivrée au moteur par la commande série P266.

3. Configurez la commande série P266 et le moteur de ventilateur de condensateur pour le fonctionnement prévu en réglant les valeurs et modes de fonctionnement requis pour l'application de votre ventilateur de condensateur. Reportez-vous à la section Configuration et réglages pour connaître les procédures.

Détermination de la valeur de la tension de commutation

Dans le mode tension d'essai, vous pouvez déterminer et régler la valeur de tension de commutation optimale pour les applications de la commande série P266 qui utilisent un condensateur basse tension en option. Pour déterminer et régler la valeur de la tension de commutation, procédez comme suit :

1. Montez, raccordez et configurez la commande série P266 et le moteur de ventilateur de condensateur pour le fonctionnement en mode tension d'essai. Voir Configuration du mode tension d'essai.
- Remarque:** Ne raccordez **pas** le condensateur basse vitesse avant l'Étape 6 de cette procédure.
2. Mettez tous les commutateurs DIP, sauf le 1, sur la position ON ; mettez le commutateur 1 sur OFF.
3. Branchez la commande série P266 à l'alimentation secteur (et à la source d'alimentation externe de 24 VAC sur les modèles qui le requièrent), puis, dans les 30 secondes suivant la mise sous tension, appuyez et relâchez trois fois de suite le bouton-poussoir. Le voyant s'éteint et reste éteint, et le moteur de ventilateur accélère jusqu'à la vitesse maximale (à 95 ou 97 % de la tension maximale). Il reste à la tension maximale pendant une durée pouvant atteindre 5 minutes.
4. À la tension maximale, utilisez l'ampèremètre-pince pour vérifier la consommation électrique (en ampères) des bobinages auxiliaires du moteur, et enregistrer la consommation électrique des bobinages auxiliaires pour le moteur à la tension maximale.
5. Débranchez la commande série P266 de l'alimentation secteur (et à la source d'alimentation externe de 24 VAC sur les modèles qui le requièrent).
6. Reliez le condensateur basse vitesse au triac M3 et aux bobinages auxiliaires du moteur. (Reportez-vous à la Figure 3 et à la Figure 4 pour connaître les options de câblage du triac M3.)

7. Mettez tous les commutateurs DIP, sauf les commutateurs 8 et 32, sur la position OFF; mettez les commutateurs 8 et 32 sur la position ON. (8 + 32 = 40 % de la valeur de la tension maximale.)
8. Branchez la commande série P266 à l'alimentation secteur (et à la source d'alimentation externe de 24 VAC sur les modèles qui le requièrent), puis, dans les 30 secondes suivant la mise sous tension, appuyez et relâchez trois fois de suite le bouton-poussoir. Le voyant s'éteint et reste éteint, et le moteur du ventilateur accélère jusqu'à la vitesse correspondant à 40 % de la tension maximale (pendant une durée pouvant atteindre 5 minutes).
9. À 40 % de la tension maximale, utilisez l'ampèremètre-pince pour vérifier la consommation électrique (en ampères) des bobinages auxiliaires du moteur connectés aux deux condensateurs et enregistrer la consommation électrique actuelle des bobinages auxiliaires à 40 % de la tension.
10. Répétez l'Étape 7 mais en augmentant la valeur de tension de 8 %, puis répétez l'Étape 8, l'Étape 9 et l'Étape 10 aux valeurs de tension accrues jusqu'à ce que la consommation électrique soit égale (tension maximale) à la consommation électrique enregistrée lors de l'Étape 4.

Remarque: Si le moteur s'arrête ou ne tourne pas régulièrement, réduisez la valeur de tension sur les commutateurs DIP de 4 % et vérifiez le fonctionnement du moteur.

11. La valeur de la tension du commutateur DIP est maintenant égale à la plus haute tension du mode basse vitesse ou à la valeur de la tension de commutation.
12. Maintenez le bouton-poussoir enfoncé jusqu'à ce que le voyant clignote 3 fois, puis relâchez-le. La valeur de la tension de commutation est réglée et enregistrée dans la commande série P266.
Remarque: Si vous souhaitez également déterminer et régler la valeur de la tension de démarrage pour votre commande série P266 et votre moteur, vous pouvez passer directement à l'Étape 3 de la procédure *Détermination de la valeur de la tension de démarrage*.
13. Mettez la commande série P266 hors tension, puis placez tous les commutateurs DIP sur la position ON afin de verrouiller le fonctionnement du bouton-poussoir.
14. Remettez la commande série P266 sous tension pour rétablir la commande de vitesse de moteur normale.

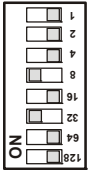
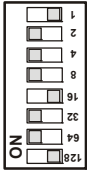
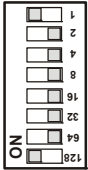
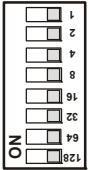
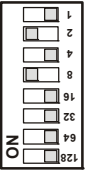
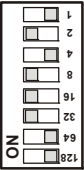
Détermination de la valeur de la tension de démarrage

Dans le mode tension d'essai, vous pouvez également déterminer et régler la valeur de la tension de démarrage pour l'application de la commande série P266.

Pour déterminer et régler la valeur de la tension de démarrage, procédez comme suit:

1. Montez, raccordez et configurez la commande série P266 et le moteur de ventilateur de condensateur pour le fonctionnement en mode tension d'essai. Voir *Configuration du mode tension d'essai*.
Remarque: Si votre application utilise le mode bobinage fractionné et le mode condensateur basse vitesse, raccordez les bobinages fractionnés et le condensateur basse vitesse conformément aux exigences de votre application (Figure 3A et Figure 4A).
2. Branchez la commande série P266 à l'alimentation secteur (et à la source d'alimentation externe de 24 VAC sur les modèles qui le requièrent), puis, dans les 30 secondes suivant la mise sous tension, appuyez et relâchez trois fois de suite le bouton-poussoir. Le voyant s'éteint et reste éteint.
3. Positionnez les commutateurs DIP de sorte que la valeur totale des commutateurs placés en position ON soit égale ou légèrement supérieure au pourcentage correspondant à votre valeur de tension de démarrage. (Par exemple, si vous estimez que la tension de démarrage du moteur est égale à 25 % de la tension totale, mettez les commutateurs 16, 8, 4 et 2 sur ON. $16 + 8 + 4 + 2 = 30 %$, ce qui est légèrement supérieur à votre estimation de 25 %.) Le moteur du ventilateur accélère à la vitesse correspondant à 30 % de la tension maximale et reste à cette vitesse.
4. Observez le fonctionnement du moteur du ventilateur et déterminez si la tension de démarrage appliquée fait tourner le moteur à la vitesse de démarrage souhaitée :
 - Si la vitesse de démarrage et le fonctionnement du moteur satisfont aux exigences de votre application, passez à l'Étape 5.
 - Si la vitesse de démarrage et le fonctionnement du moteur ne satisfont pas aux exigences de votre application, retournez à l'Étape 3 et réglez une nouvelle valeur de tension de démarrage estimée afin d'obtenir la vitesse de démarrage de moteur souhaitée.
5. Lorsque votre moteur tourne à la vitesse de démarrage souhaitée (valeur de tension de démarrage), maintenez le bouton-poussoir enfoncé jusqu'à ce que le voyant clignote deux fois de suite, puis relâchez-le. La valeur de la tension de démarrage est réglée et enregistrée dans la commande série P266.
6. Mettez la commande série P266 hors tension, puis placez tous les commutateurs DIP sur la position ON afin de verrouiller le fonctionnement du bouton-poussoir.
7. Remettez la commande série P266 sous tension pour rétablir la commande de vitesse de moteur normale.

Tableau 2 : Séquences de clignotements du voyant, valeurs de configuration, réglages de mode sur le bloc de commutateurs DIP et exemple de valeurs et de réglages de mode par défaut

Relâcher le bouton-poussoir après...	Nom de la valeur/mode commutateur bipolaire	Intervalle de valeurs/réglages de mode (Ex. de réglages par défaut)	Numéro et position du commutateur Description de la valeur/réglage	Bloc de commutateurs DIP Exemple de réglages par défaut
Deux clignotements	Mode basse vitesse (Commutateur 128)	Réglages : ON ou OFF (Réglage par défaut : OFF)	Commutateur 128 sur OFF = Aucune tension au moteur lorsque la pression détectée est inférieure à la pression de démarrage. Commutateur 128 sur ON = Tension de démarrage au moteur lorsque la pression détectée est inférieure ou égale à la pression de démarrage.	
Trois clignotements	Valeur de la tension de démarrage (Commutateurs 1 à 64)	Plage de valeurs : 10 à 90 (Valeur par défaut : 40)	Mettre les commutateurs 1 à 64 sur ON ou OFF de sorte que la somme des commutateurs placés sur ON soit égale à la valeur de la tension de démarrage.	
Quatre clignotements	Valeur de la pression de démarrage (Commutateurs 1 à 128)	Plage de valeurs : 10 à 230 (Valeur par défaut : 110)	Mettre les commutateurs 1 à 128 sur ON ou OFF de sorte que la somme des commutateurs placés sur ON soit égale à la valeur de la pression de démarrage.	
Cinq clignotements (Commutateurs 64 et 128 sur OFF)	Mode bobinage fractionné (Commutateur 32) Mode tension finale (Commutateur 16) Algorithme de compression du défilement numérique (Commutateur 8) Mode condensateur basse vitesse (Commutateur 4) Nombre d'étages de ventilateur auxiliaire (Commutateurs 1 et 2)	Réglages : ON ou OFF (Réglage par défaut : OFF) Réglages : ON ou OFF (Réglage par défaut : OFF) Réglages : ON ou OFF (Réglage par défaut : OFF) Réglages : ON ou OFF (Réglage par défaut : OFF) Réglages : ON ou OFF (Réglage par défaut : OFF)	Commutateur 32 sur ON = Triac M2 activé pour alimenter les bobinages fractionnés. Commutateur 32 sur OFF = Triac M2 désactivé. Commutateur 16 sur ON = Délivre 95 % de la tension d'entrée de la P266 au moteur. Commutateur 16 sur OFF = Délivre 97 % de la tension d'entrée de la P266 au moteur. Commutateur 8 sur ON = Algorithme de défilement numérique activé. Commutateur 8 sur OFF = Algorithme de défilement numérique désactivé. Commutateur 4 sur ON = Condensateur basse vitesse disponible. Commutateur 4 sur OFF = Condensateur basse vitesse non disponible. Ne mettre les commutateurs 1 sur OFF et 2 sur OFF pour aucun des ventilateurs auxiliaires. Mettre les commutateurs 1 sur ON et 2 sur OFF pour le ventilateur auxiliaire 1. Mettre les commutateurs 1 sur OFF et 2 sur ON pour les ventilateurs auxiliaires 1 et 2. Mettre les commutateurs 1 sur ON et 2 sur ON pour les ventilateurs auxiliaires 1, 2 et 3.	
Six clignotements (Commutateur 128 sur OFF)	Chevauchement de ventilateur auxiliaire (Commutateurs 1 à 64)	Plage de valeurs : 1 à 90 (Valeur par défaut : 10)	Mettre les commutateurs 1 à 64 sur ON ou OFF de sorte que la somme des commutateurs placés sur ON soit égale à la valeur de chevauchement de ventilateur auxiliaire.	
Sept clignotements (Commutateur 128 sur OFF)	Valeur de la tension de commutation (Commutateurs 1 à 64)	Plage de valeurs : 10 à 80 (Valeur par défaut : 60)	Mettre les commutateurs 1 à 64 sur ON ou OFF de sorte que la somme des commutateurs placés sur ON soit égale à la valeur de la tension de commutation.	

Transducteurs de pression électroniques P266

Les commandes série P266 sont conçues pour référencer un ou deux transducteurs de pression électroniques P266 de commandes Johnson afin de surveiller la pression du condensateur.

Les transducteurs P266 sont des versions spécialisées des transducteurs de pression électroniques de la série P499 conçus pour une utilisation avec des commandes de vitesse de ventilateur série P266. Reportez-vous au Tableau 3 pour connaître les modèles de transducteur P266 disponibles.

Remarque: Sur les applications de commande série P266 qui utilisent deux transducteurs P266, la commande série P266 référence toujours le transducteur qui détecte la plus haute pression.

IMPORTANT: Lorsque deux transducteurs P266 sont connectés à une commande série P266, les transducteurs doivent être du même modèle (référence de produit). Si vous ne connectez pas les mêmes modèles de transducteur série P266 à une commande P266, le fonctionnement peut être irrégulier.

Reportez-vous au *Bulletin de produit/technique des transducteurs de pression électroniques de la série P499 (LIT-12011190)* pour en savoir plus sur l'installation des transducteurs P266.

Tableau 3: Transducteurs de pression électroniques P266SNR

Référence du produit	Description
P266SNR-1C	Transducteur de pression électronique : plage totale de 0 à 35 bars (0 à 508 psi) avec une connexion conique femelle SAE de 1/4 po et un câble de 2 mètres (3,1 pi).
P266SNR-2C	Transducteur de pression électronique : plage totale de 0 à 52 bars (0 à 754 psi) avec une connexion conique femelle SAE de 1/4 po et un câble de 2 mètres (3,1 pi).

Caractéristiques techniques

Commande de vitesse de ventilateur de condensateur monophasé P266xxx-x

Alimentation	208/240 VAC 50/60 Hz, 380/460 VAC 50/60 Hz ou 480/575 VAC 50/60 Hz selon le modèle (Reportez-vous à l'étiquette située à l'intérieur du couvercle du boîtier de la commande P266 pour connaître la plage de tension nominale et le schéma de câblage spécifique du modèle.)
Intensité du courant de court-circuit	Convient pour un circuit ne restituant pas plus de 5 000 ampères symétriques rms, 600 volts maximum en cas de protection par des fusibles de Classe H
Alimentation basse tension	Types P266A, P266B et P266C : transformateur d'alimentation 20 VA, classe 2 24 VAC externe Types P266Exx : l'alimentation basse tension pour la commande P266 est fournie par un transformateur intégré. Remarque : Lorsque des démarreurs de ventilateur auxiliaire sont connectés à des commandes de type P266E, vous devez fournir une alimentation AC (SELV) externe très basse tension sûre pour alimenter les démarreurs de ventilateur (Figure 2).
Conditions ambiantes de fonctionnement	Température : -40 à 60 °C (-40 à 140 °F) Humidité : jusqu'à 95 % d'humidité relative sans condensation ; point de rosée maximal 29 °C (85 °F)
Conditions ambiantes d'expédition et de stockage	Température : -40 à 85 °C (-40 à 185 °F) Humidité : jusqu'à 95 % d'humidité relative sans condensation ; point de rosée maximal 29 °C (85 °F)
Connexions basse tension	Raccords rapides de 1/4 po, longueur de câblage maximal de 30 m (100 pi)
Transducteur d'entrée	Transducteur de pression P266SNR-x : 5 VDC pour signal analogique quotientométrique de 0,5 à 4,5 VDC
Type de boîtier	NEMA 3R, IP54
Matériau du boîtier	Aluminium coulé sous pression
Matériau du couvercle	Polycarbonate stabilisé contre les UV

Commande de vitesse de ventilateur de condensateur monophasé P266xxx-x

Dimensions (H x L x P)	159 x 177 x 70 mm (6-1/4 x 7 x 2-3/4 po)
Poids	Poids du modèle le plus lourd : 1,0 kg (2,2 lb) Poids approximatif à l'expédition : 1,2 kg (2,6 lb)
Conformité	Europe : Marque : conforme CE ; GENELEC EN 60947-1 et 4-2 ; Directive RoHS (2002/95/CE) ; Directive WEEE (2002/96/CE)
	Amérique du nord : cULus File 244421 ; Conforme à la réglementation FCC, CFR47, section 15, sous-section B, classe B Conforme à la norme NMB-003 du Canada, classe B
	Australie : Conforme C-Tick (N1813)

Les caractéristiques techniques susmentionnées s'entendent en valeurs nominales et sont conformes aux normes de l'industrie. Pour toute application dans des conditions différentes, contactez Johnson Controls Application Engineering au (414) 524-5535. Johnson Controls, Inc. décline toute responsabilité pour les éventuels dommages résultant d'une mauvaise application ou d'une utilisation inappropriée de ses produits.

Déclaration de conformité FCC (États-Unis)

Ce matériel a été testé et jugé conforme aux limites applicables aux appareils numériques de classe B, définies dans la partie 15 des règlements de la FCC. Ces limites sont conçues pour assurer une protection raisonnable contre les interférences nuisibles dans une installation résidentielle. Ce matériel génère, utilise et peut émettre de l'énergie radiofréquence et, s'il n'est pas installé et utilisé conformément aux instructions, peut causer des interférences nuisibles aux communications radio. Cependant, il n'existe aucune garantie qu'il n'y aura pas d'interférence dans une installation particulière. Si cet équipement cause des interférences nuisibles à la réception télé et radio, ce qui peut être déterminé en mettant l'équipement hors, puis sous tension, l'utilisateur est invité à éliminer ces interférences à l'aide d'une ou plusieurs des méthodes décrites ci-dessous :

- Réorienter ou déplacer l'antenne de réception.
- Augmenter la distance entre l'appareil et le récepteur.
- Brancher le matériel à une prise située sur un autre circuit que celui du récepteur.
- Contacter le revendeur ou un technicien radio/TV expérimenté pour assistance.

Conformité aux normes canadiennes

Cet appareil numérique de la Classe (B) respecte toutes les exigences du Règlement sur le matériel brouilleur du Canada.



Building Efficiency
507 E. Michigan Street, Milwaukee, WI 53202

Johnson Controls/PENN® sont des marques déposées de Johnson Controls, Inc.

Toutes les autres marques citées dans le présent document appartiennent à leurs propriétaires respectifs. © 2010 Johnson Controls, Inc.

Drehzahlregler der Serie P266 für einphasige Verflüssigerlüfter

Installationsanweisungen

P266xxx-x

Teilenummer 24-7664-2705, Rev. D

Ausgabedatum 27. August 2010

Ersetzt vom 8. April 2010

Anwendung

WICHTIGER HINWEIS: Dieser Drehzahlregler der Serie P266 für einphasige Verflüssigerlüfter darf nur zur Betriebssteuerung verwendet werden. Wenn ein Versagen oder eine Fehlfunktion des Lüfterdrehzahlreglers der Serie P266 zu Personenschäden oder Sachschäden an der geregelten Anlage oder anderen Gegenständen führen kann, müssen zusätzliche Vorsichtsmaßnahmen in das Steuerungssystem eingebaut werden. Integrieren und halten Sie zusätzliche Vorrichtungen bereit, wie z. B. Überwachungs- oder Alarmsysteme und Sicherheits- oder Grenzwertkontrollen, die als Schutz oder Warnung vor einem Versagen oder einer Fehlfunktion des Lüfterdrehzahlreglers der Serie P266 dienen.



ACHTUNG: Gefahr von Sachschaden
Verwenden Sie den Regler der Serie P266 ausschließlich für Kondensatormotoren (PSC-Motoren), die vom Hersteller für eine Drehzahlregelung zugelassen sind. Wenn kein einphasiger Kondensatormotor verwendet wird, kann dies zu Schäden am Motor oder zu sonstigen Sachschäden führen.

Beim Drehzahlregler der Serie P266 für einphasige Verflüssigerlüfter handelt es sich um einen kostengünstigen, kompakten, wetterbeständigen und widerstandsfähigen Drehzahlregler für einphasige Kondensatormotoren, der für eine Vielzahl an Kühl- und Klimaanlageverflüssiger verwendet werden kann.

Die Lüfterdrehzahlregler der Serie P266 ersetzen die Johnson Controls®-Lüfterdrehzahlregler der Serie P66 und P215 und bieten neben zusätzlichen Funktionen auch flexiblere Anwendungsmöglichkeiten.

Montage

Hinweise zum Einsatzort

Beachten Sie bei der Montage eines Lüfterdrehzahlreglers der Serie P266 folgende Richtlinien:

- Stellen Sie sicher, dass die Oberfläche und die bei der Montageteile stabil genug für den Regler und die Verdrahtung sind.

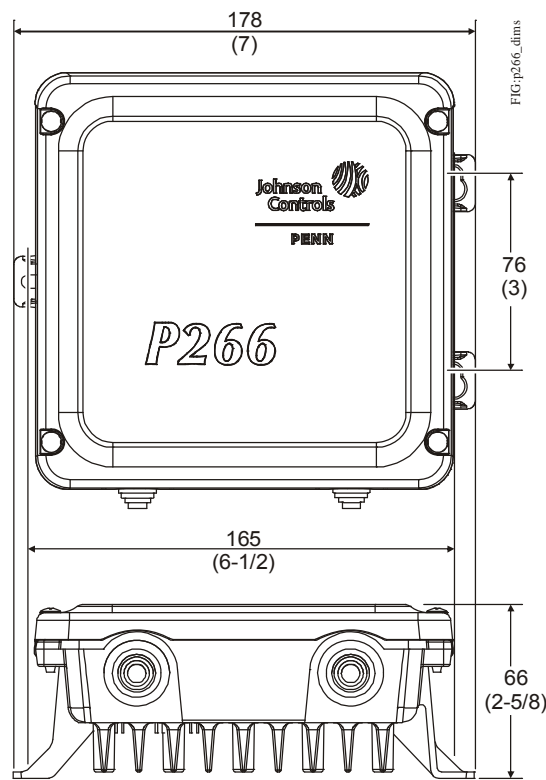


Abbildung 1: Montageabmessungen für den Drehzahlregler P266 für einphasige Verflüssigerlüfter, mm (Zoll)

- Der Regler der Serie P266 kann aufrecht an einer vertikalen Oberfläche angebracht werden. Dabei ist auf eine vertikale Ausrichtung der Kühlrippen zu achten. Die Kabeldurchführungen/Bohrungen für Elektroanschlüsse müssen nach unten zeigen.
- Um eine Luftzirkulation für die Wärmeabfuhr zu gewährleisten, muss ein Freiraum von mindestens 10 cm um den Kühlkörper eingehalten werden.
- Bringen Sie den Regler der Serie P266 an einer Stelle an, die keiner großen Hitzeentwicklung ausgesetzt ist, und die die angegebenen Umgebungsanforderungen für den Betrieb erfüllt. Die Umgebungsbedingungen finden Sie unter Technische Daten.

Anschluss

Beachten Sie beim Anschließen des Lüfterdrehzahlreglers der Serie P266 den modellspezifischen Schaltplan und die Richtlinien auf dem Etikett im Inneren des Reglers der Serie P266.



VORSICHT: Gefahr von Stromschlag

Trennen Sie den Regler von allen Stromquellen oder schalten Sie sie ab, bevor Sie elektrische Anschlüsse vornehmen. Möglicherweise müssen mehrere Stromversorgungen ausgeschaltet oder abgeklemmt werden, um die Anlage völlig stromlos zu machen. Eine Berührung von Komponenten, die unter gefährlicher Spannung stehen, kann einen elektrischen Schlag verursachen und zu schweren Verletzungen oder zum Tod von Menschen führen.

WICHTIGER HINWEIS: Schließen Sie die Versorgungsspannung erst an den Regler der Serie P266 an, nachdem Sie die Anschlussarbeiten beendet und alle Anschlüsse geprüft haben. Kurzschlüsse oder nicht ordnungsgemäß angeschlossene Kabel können Schäden am Regler der Serie P266 verursachen und jegliche Garantie nichtig machen.

WICHTIGER HINWEIS: Die elektrischen Nennwerte des Lüfterdrehzahlreglers der Serie P266 dürfen nicht überschritten werden. Ein Überschreiten der elektrischen Nennwerte kann dauerhaften Schaden am Regler der Serie P266 verursachen und jegliche Garantie nichtig machen.

WICHTIGER HINWEIS: Verwenden Sie ausschließlich Kupferleiter mit einer Temperaturbeständigkeit von 60 bis 75 °C. Alle Verdrahtungen müssen entsprechend den lokalen, nationalen und regionalen Bestimmungen erfolgen.

WICHTIGER HINWEIS: Durch eine elektrostatische Entladung können Komponenten des Reglers der Serie P266 beschädigt werden. Achten Sie bei der Installation und Wartung auf die entsprechenden Vorsichtsmaßnahmen hinsichtlich elektrostatischer Entladungen, um Schäden an den Komponenten des P266 zu vermeiden.

- Stellen Sie sicher, dass die Kabel zwischen dem Regler der Serie P266 und dem Lüftermotor nicht länger als 15 m sind.
- Die an der Klemmenleiste für die Netzspannung angeschlossenen Drähte dürfen höchstens einen Leiterquerschnitt von 3,31 mm² (12 AWG) besitzen.
- Die Niederspannungsdrähte dürfen höchstens 30 m lang sein.

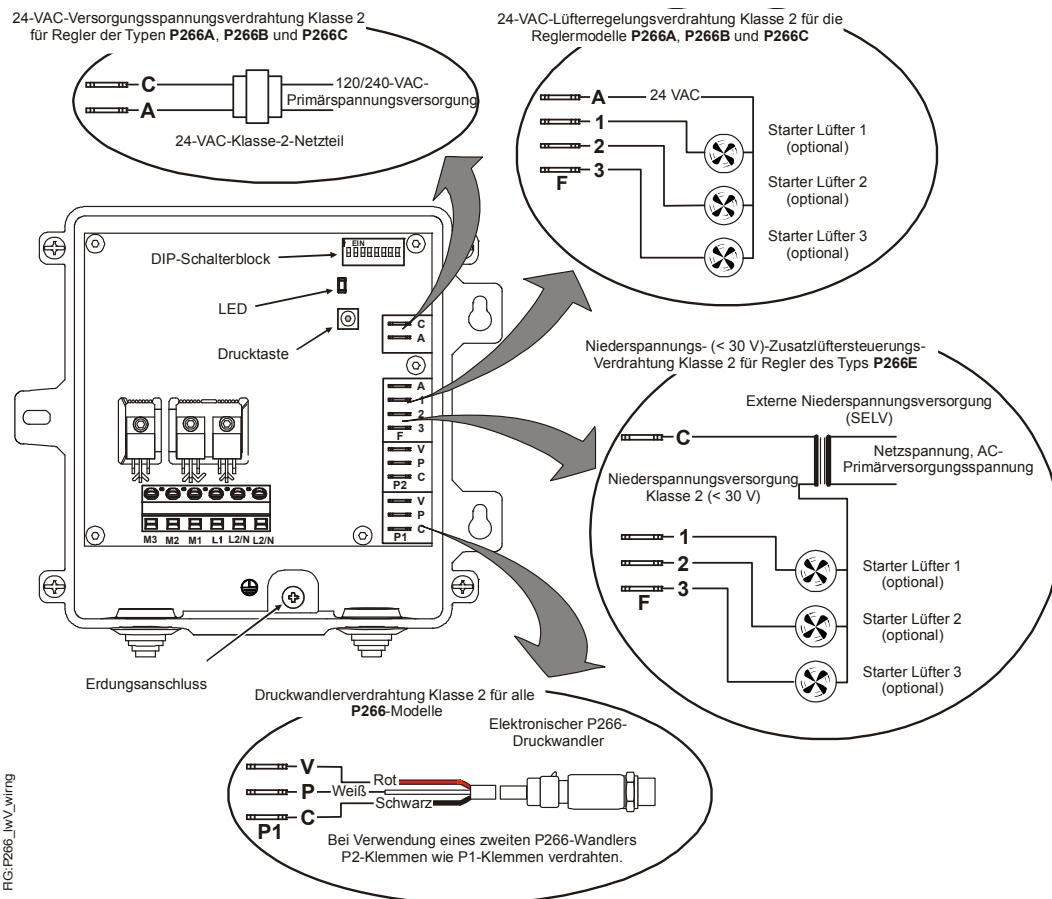


Abbildung 2: Physische Eigenschaften und Niederspannungsanschlüsse des Reglers der Serie P266

Niederspannungsanschlüsse

In Abbildung 2 finden Sie die unter der Gehäuseabdeckung angebrachten Komponenten des Reglers der Serie P266 und den Niederspannungsschaltplan für die Reglermodelle P266A, P266B, P266C und P266E.

Hochspannungsanschlüsse

In Abbildung 3 finden Sie die Hochspannungsschaltpläne für die Reglermodelle P266A, P266B und P266C, in Abbildung 4 die Hochspannungsschaltpläne für das Reglermodell P266E.

WICHTIGER HINWEIS: An die L2/N-Klemme muss die Phase der Netzspannung angeschlossen werden, damit der Regler der Serie P266 den FCC- und IEC-Grenzwerten für die Hochfrequenz-Störungsemission für Geräte der Klasse B entspricht.

In Tabelle 1 finden Sie die Hochspannungsanschluss-Optionen für die Reglermodelle P266A, P266B, P266C und P266E.

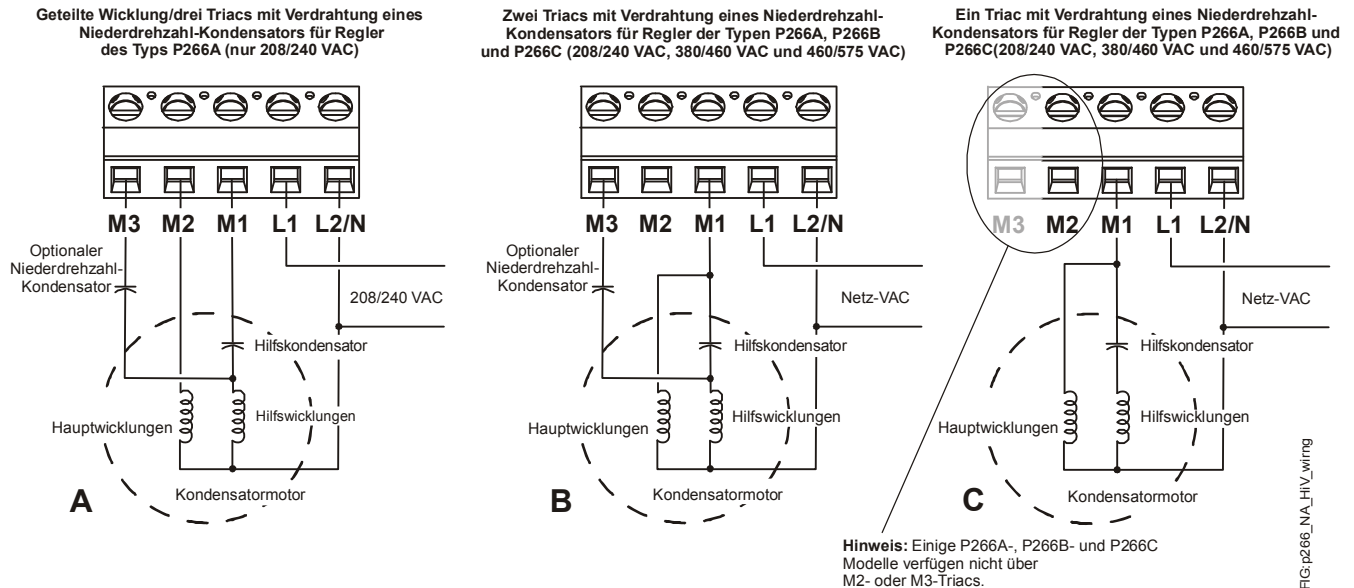


Abbildung 3: Hochspannungsanschluss-Optionen für die Reglermodelle P266A, P266B und P266C

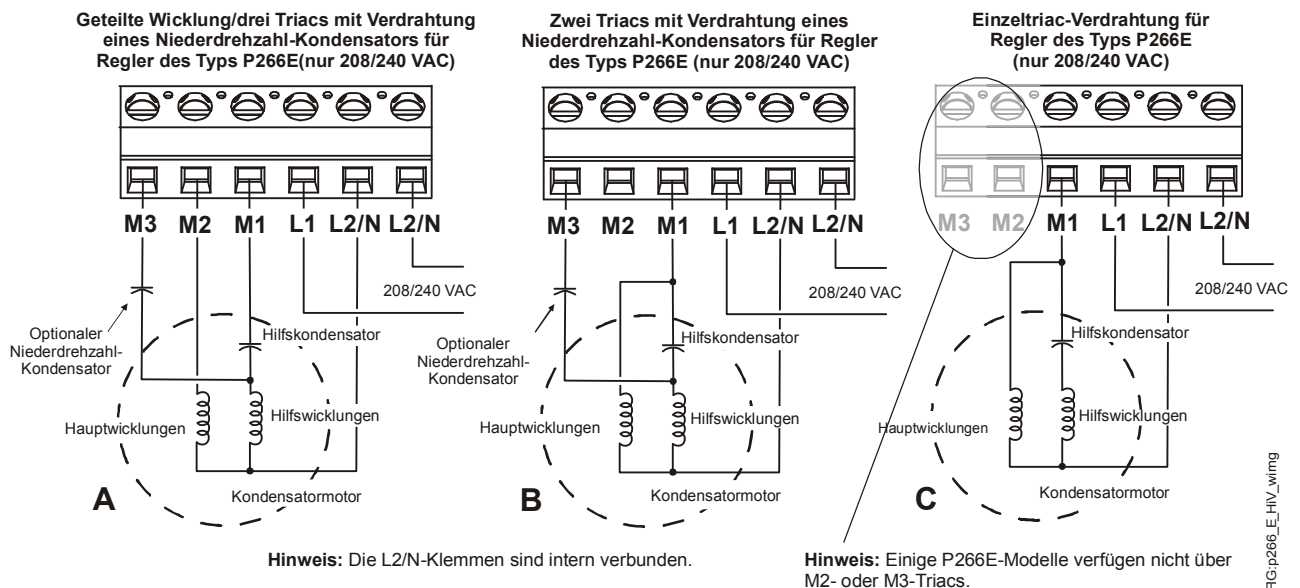


Abbildung 4: Hochspannungsanschluss-Optionen für das Reglermodell P266E

Tabelle 1: Hochspannungsanschluss-Optionen und Spannungsbereiche der Produkttypen

Produkttypnummer	Geteilte Wicklung/drei Triacs mit Niederdrehzahl-Kondensator	Zwei Triacs mit Niederdrehzahl-Kondensator			Einzel-Triac		
		208/240 VAC	208/240 VAC	380/460 VAC	460/575 VAC	208/240 VAC	380/460 VAC
P266AA	Siehe Abbildung 3A	Siehe Abbildung 3B	--	--	Siehe Abbildung 3C	--	--
P266AB	Siehe Abbildung 3A	Siehe Abbildung 3B	--	--	Siehe Abbildung 3C	--	--
P266AC	--	--	--	--	Siehe Abbildung 3C	--	--
P266AD	--	--	--	--	Siehe Abbildung 3C	--	--
P266BC	--	--	--	--	--	--	Siehe Abbildung 3C
P266BD	--	--	--	--	--	--	Siehe Abbildung 3C
P266BG	--	--	--	Siehe Abbildung 3B	--	--	Siehe Abbildung 3C
P266BH	--	--	--	Siehe Abbildung 3B	--	--	Siehe Abbildung 3C
P266EA	Siehe Abbildung 4A	Siehe Abbildung 4B	--	--	Siehe Abbildung 4C	--	--
P266EB	Siehe Abbildung 4A	Siehe Abbildung 4B	--	--	Siehe Abbildung 4C	--	--
P266EC	--	--	--	--	Siehe Abbildung 4C	--	--
P266ED	--	--	--	--	Siehe Abbildung 4C	--	--
P266EE	--	--	--	--	Siehe Abbildung 4C	--	--
P266EF	--	--	--	--	Siehe Abbildung 4C	--	--
P266CH	--	--	Siehe Abbildung 3B	--	--	Siehe Abbildung 3C	--

Inbetriebnahme und Einstellungen

Alle Regler der Serie P266 werden mit werkseitig eingestellten Standardwerten und Moduseinstellungen geliefert. Für die meisten Anwendungen sind keine Änderungen der Standardwerte vor Ort erforderlich.

Wenn die Verwendung des Reglers der Serie P266 eine Änderung der Wert- oder Moduseinstellungen erfordert, führen Sie folgende Schritte durch:

1. Berechnen Sie die neuen Werte, und ermitteln Sie die neuen Moduseinstellungen für die gewünschte Anwendung. (Siehe Werte und Modi des Reglers der Serie P266.)
2. Ändern Sie die vorhandenen Regler- und Moduseinstellungen mithilfe der Setup-Schnittstelle des Reglers der Serie P266. (Siehe Einstellen von Werten und Modi.)

Setup-Schnittstelle des Reglers der Serie P266

Die Setup-Schnittstelle des Reglers der Serie P266 besteht aus einem DIP-Schalterblock mit acht binären Schaltern, einem Drucktaster und einer grünen LED (Abbildung 2). Sie können die werkseitigen Standardwerte und Modi ändern, indem Sie die DIP-Schalter umstellen und die neuen Einstellungen speichern. Die Blinkfolge der LED zeigt an, welcher Wert und/oder Modus gespeichert wird. In Tabelle 2 finden Sie weitere Informationen zu den Werten und Modi, die der Blinkfolge der LED zugeordnet sind.

Während des normalen Betriebs leuchtet die grüne LED. Wenn Sie die Drucktaste **gedrückt halten**, erlischt die LED für drei Sekunden und blinkt anschließend zwei Mal. Anschließend erlischt die LED erneut für drei Sekunden und blinkt drei Mal. Dieses Muster wird wiederholt, bis die LED sieben Mal blinkt, oder bis Sie die Drucktaste loslassen.

Jede Blinkfolge entspricht einem Wert oder einem Wert und einem Satz von Moduseinstellungen. Wenn Sie die Drucktaste nach der gewünschten Blinkfolge loslassen, wird der Wert bzw. der Modus gespeichert, der aktuell mit dem DIP-Schalterblock eingestellt ist. Weitere Informationen finden Sie in Tabelle 2.

Nach Beenden des Setups stellen Sie alle DIP-Schalter in die EIN-Position, um die Drucktaste zu sperren.

Werte und Modi des Reglers der Serie P266

Die Regler der Serie P266 verfügen über bis zu zehn Werte und Modi (in sechs Blinkfolgen), die vor Ort geändert werden können. Weitere Informationen zur Blinkfolge der LED und zu den entsprechenden Werten und Modi finden Sie in Tabelle 2.

Startspannungswert

Bei der Startspannung (VAC) handelt es sich um die vom Regler der Serie P266 an den Lüftermotor abgegebene Spannung, mit der dieser mit der Mindestdrehzahl für Ihre Anwendung betrieben wird.

Beim **Startspannungswert** handelt es sich um einen Prozentsatz der Eingangsspannung des Reglers der Serie P266. Verwenden Sie die folgende Formel, um den Startspannungswert für Ihre Anwendung zu berechnen.

$$\frac{\text{Startspannung (VAC)}}{\text{Eingangsspannung (VAC) des P266-Reglers}} = \text{Startspannungswert (\%)}$$

Niederdruck-Modus

Im Niederdruck-Modus wird ermittelt, ob der Lüftermotor eingeschaltet (bei Startspannung/Minstdrehzahl) oder ausgeschaltet ist, wenn sich der gemessene Druck des P266-Wandlers unterhalb des Sollwerts für den Startdruck befindet.

Startdruckwert

Beim Startdruck (psi oder bar) handelt es sich um den Drucksollwert, bei dem der Regler der Serie P266 die Startspannung ausgibt und den Lüftermotor mit Minstdrehzahl betreibt. Der **Startdruckwert** ist eine Funktion des Sollwerts für den Startdruck und des Druckbereichs des referenzierten P266-Wandlers. Verwenden Sie die folgende Formel, um den Startdruckwert zu berechnen. Weitere Informationen zu den Druckbereichen des P266-Wandlers finden Sie in Tabelle 3.

$$\frac{\text{Startdrucksollwert (bar oder psi)}}{\text{P266-Wandler-Druckbereich (bar or psi)}} \times 250 = \text{Startdruckwert}$$

Enddruckwert

Beim Sollwert für den Enddruck handelt es sich um den Druck (bar oder psi), bei dem der Regler der Serie P266 die Endspannung ausgibt und den Lüftermotor mit Höchstdrehzahl betreibt. Der **Enddruckwert** ist eine Funktion des Sollwerts für den Enddruck und des Gesamtdruckbereichs des referenzierten Wandlers. Verwenden Sie die folgende Formel, um den Enddruckwert für Ihre Anwendung zu ermitteln. Weitere Informationen zu den Druckbereichen des P266-Wandlers finden Sie in Tabelle 3.

$$\frac{\text{Enddrucksollwert (bar oder psi)}}{\text{P266-Wandler-Druckbereich (bar or psi)}} \times 250 = \text{Enddruckwert}$$

Geteilte-Wicklung-Modus

Einige einphasige Kondensatormotoren weisen eine Verdrahtung mit geteilter Wicklung auf. Wenn Sie den Geteilte-Wicklung-Modus aktivieren, kann der M2-Triac die Hauptwicklung (und nicht die Hilfswicklung) mit Spannung versorgen, sodass der Motorwirkungsgrad verbessert wird (Abbildung 3A und Abbildung 4A).

Hinweis: Der Geteilte-Wicklung-Modus steht **nur für einphasige 240 VAC-Kondensatormotoren zur Verfügung, die über eine Verdrahtung mit geteilter Wicklung verfügen**. In den Installationsanweisungen des Motorherstellers erfahren Sie, ob Ihr Lüftermotor bei aktiviertem Geteilte-Wicklung-Modus angeschlossen werden kann.

Copeland Digital Scroll™-Kompressormodus

Der Digital Scroll-Kompressormodus ermöglicht den Einsatz des Reglers der Serie P266 in einem System, in dem ein digitaler Scroll-Kompressor verwendet wird. Wird der Digital Scroll-Kompressormodus nicht aktiviert, wenn ein digitaler Scroll-Kompressor verwendet wird, kann dies zum Oszillieren des Verflüssigerlüfters führen.

Endspannungsmodus

Bei der Endspannung handelt es sich um die ausgegebene Spannung des Reglers der Serie P266 (als Prozentsatz der Nennspannung), die aufrecht erhalten wird, wenn der überwachte Druck mindestens dem Enddruck entspricht. Der Endspannungsmodus kann entweder auf 95 % oder 97 % der Gesamteingangsspannung festgelegt werden. Siehe Abbildung 5.

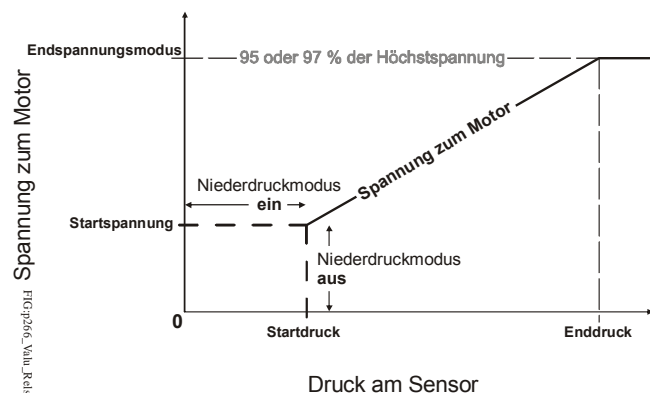


Abbildung 5: Beziehung zwischen den Variablen des Lüfterdrehzahlreglers P266

Modus für Niederdrehzahl-Kondensatoren

Bei einigen Lüfterdrehzahl-Regelanwendungen kann ein (vom Benutzer bereitgestellter) Niederdrehzahl-Kondensator (LSC) an den M3-Triac des Reglers der Serie P266 und den zu regelnden Lüftermotor angeschlossen werden (Abbildung 3 und Abbildung 4). Der Niederdrehzahl-Kondensator wird bei geringer Spannung aktiviert, um die Leistung und den Wirkungsgrad des Lüftermotors zu steigern. Aktivieren Sie den Modus für Niederdrehzahl-Kondensatoren, wenn ein solcher verwendet wird.

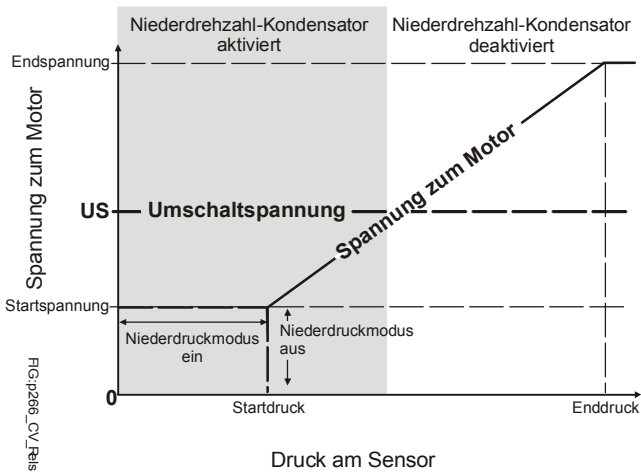


Abbildung 6: Betrieb eines Niederdrehzahl-Kondensators

Hinweis: Der optionale Niederdrehzahl-Kondensator sollte sowohl hinsichtlich des Spannungsbereichs als auch des Mikrofaradwerts dem vom Hersteller bereitgestellten Hilfskondensator entsprechen. Er darf jedoch 15 Mikrofarad nicht übersteigen.

Hinweis: Sie müssen außerdem den Umschaltspannungswert festlegen, wenn Sie für Ihre Anwendung des Reglers der Serie P266 einen Niederdrehzahl-Kondensator verwenden. Weitere Informationen zum Festlegen des Umschaltspannungswerts finden Sie unter [Umschaltspannungswert](#) und [Ermitteln des Umschaltspannungswerts](#).

Zusatzlüfterstufen-Modus

Sie können den Lüfterdrehzahlregler der Serie P266 so einstellen, dass bis zu drei zusätzliche Lüftermotoren (mit fester Drehzahl) oder Lüfterstufen zusammen mit dem vom Regler der Serie P266 geregelten Lüfter mit variabler Drehzahl ein- und ausgeschaltet werden.

Zur Regelung der Zusatzlüftermotoren-/Stufenstarter können drei Niederspannungsschaltkreise (Abbildung 2) angeschlossen werden. Weitere Informationen zum Einstellen der Anzahl der in Ihrer Anwendung verwendeten Zusatzlüfter finden Sie in Tabelle 2.

In Abbildung 7 finden Sie eine Anwendung des Reglers der Serie P266, bei der ein Zusatzlüfter mit dem drehzahlgeregelten Lüfter verwendet wird. Wenn die Verflüssigerlast die Leistung des drehzahlgeregelten Lüfters übersteigt, schaltet der Regler der Serie P266 den Zusatzlüfter ein und den (über den P266) drehzahlgeregelten Lüfter auf einen neuen Startdruck um.

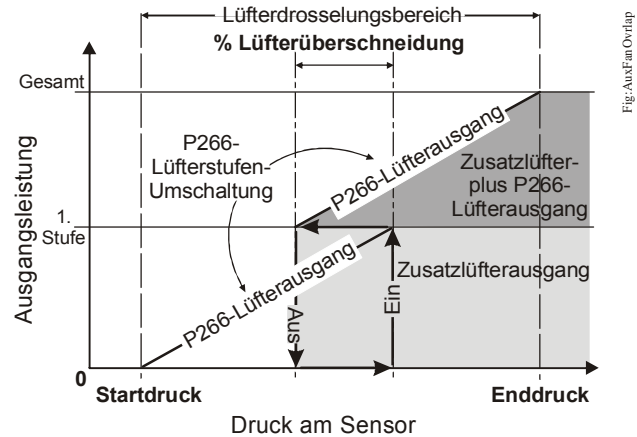


Abbildung 7: Drehzahlgeregelter (über P266) Lüfter, der über den gesamten Druckbereich mit einer Zusatzlüfterstufe (Ein/Aus) betrieben wird

Überschneidungswert für Zusatzlüfter

Mithilfe des Überschneidungswerts für Zusatzlüfter wird die Druckbereichsüberschneidung (als Prozentsatz des Gesamtdruckbereichs [Drosselung]) zwischen den für den Regler der Serie P266 eingerichteten Lüfterstufen bestimmt. Der Lüfterüberschneidungswert ist für alle für den Regler eingerichteten Lüfterstufen gleich.

Wenn der Überschneidungswert für Zusatzlüfter erhöht wird, verringert sich die (Ein/Aus-) Schaltrate der Zusatzlüfter und die Druckdifferenz zwischen den Lüfterstufen (wodurch der Druckbereich der einzelnen Zusatzlüfterstufen erhöht wird).

Hinweis: Wenn der Regler der Serie P266 nicht für Zusatzlüfter eingestellt wurde, wird der Überschneidungswert für Zusatzlüfter nicht verwendet. Weitere Informationen zum Einstellen der Anzahl der in Ihrer Anwendung verwendeten Zusatzlüfter finden Sie in Tabelle 2.

Umschaltspannungswert

Mit dem Umschaltspannungswert wird die Spannung festgelegt, bei der der Regler der Serie P266 den M3-Triac und den Niederdrehzahl-Kondensator aktiviert und deaktiviert (Abbildung 6). Siehe [Ermitteln des Umschaltspannungswerts](#).

Einstellen von Werten und Modi

So ändern Sie die Einstellungen und Werte eines Reglers der Serie P266:

1. Ermitteln Sie die Betriebsdrucksollwerte (psi oder bar), die Spannungseingänge und -ausgänge (VAC) sowie weitere Betriebsmodi, die für Ihre Anwendung des Verflüssigerlüfter-Motorenreglers erforderlich sind.
2. Konvertieren Sie die ausgewählten Drucksollwerte (psi oder bar) und die Zielspannungen (VAC) in Werte für den Regler der Serie P266. Siehe Werte und Modi des Reglers der Serie P266 und Tabelle 2.
3. Stellen Sie die DIP-Schalter auf die neuen Werte und/oder Modi ein. Siehe Einrichten des DIP-Schalterblocks.
4. Halten Sie die Drucktaste gedrückt, bis die Blinkfolge der LED dem gewünschten Wert, dem Wertesatz und/oder den Moduseinstellungen entspricht. Lassen Sie die Drucktaste **nach**:
 - **zweifachem Blinken** los, um die Einstellung für den Niederdruckmodus und den Startspannungswert zu speichern.
 - **dreifachem Blinken** los, um den Startdruckwert zu speichern.
 - **vierfachem Blinken** los, um den Enddruckwert zu speichern.
 - **fünffachem Blinken** los, um die Einstellungen für den Geteilte-Wicklung-, Endspannungs-, Niederdrehzahl-Kondensator- und Zusatzlüfterstufen-Modus zu speichern.
 - **sechsfachem Blinken** los, um den Überschneidungswert für Zusatzlüfter zu speichern.
 - **siebenfachem Blinken** los, um den Umschaltspannungswert zu speichern.

Hinweis: In Tabelle 2 finden Sie weitere Informationen zu den Werten und Modi, die der Blinkfolge der LED zugeordnet sind.

5. Wiederholen Sie die Schritte 3 und 4 für den nächsten zu ändernden Wert bzw. Modus.
6. Stellen Sie nach dem Speichern der neuen Werte und Moduseinstellungen alle DIP-Schalter in die EIN-Position, um die Drucktaste zu sperren.

Einrichten des DIP-Schalterblocks

So stellen Sie mit dem DIP-Schalterblock die neuen Werte und/oder Modi ein

1. Stellen Sie alle Schalter des DIP-Schalterblocks in die AUS-Position.
2. Schalten Sie die nummerierten Schalter so auf EIN, dass die Summe der (auf EIN gestellten) Schalternummern dem gewünschten Setupwert entspricht. Beginnen

Sie mit dem Schalter mit der größten Nummer, die kleiner ist als der Setupwert. (Beispielsweise stellen Sie zuerst den Schalter 128 auf EIN, wenn der gewünschte Setupwert 185 ist. Stellen Sie anschließend nacheinander die Schalter 32, 16, 8 und 1 auf EIN [$128 + 32 + 16 + 8 + 1 = 185$] [Abbildung 8]).

Bei den Moduseinstellungen müssen je nach Modus lediglich ein oder zwei Schalter des DIP-Schalterblocks betätigt werden. In Tabelle 2 finden Sie weitere Informationen zu den Werten und Modi, die der Blinkfolge der LED zugeordnet sind.

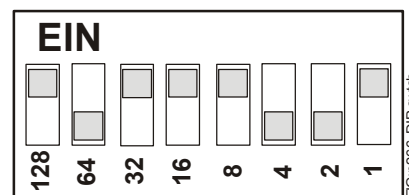


Abbildung 8: DIP-Schalterblock, dessen Schalter auf einen Setupwert von 185 eingestellt sind

WICHTIGER HINWEIS: Alle Schalter des DIP-Schalterblocks müssen sich in der für Ihre Anwendung geeigneten Position befinden, bevor Sie die Drucktaste drücken und loslassen, um die Werte und/oder Moduseinstellungen zu speichern. Weitere Informationen zu den Schalterpositionen finden Sie in Tabelle 2.

Testspannungsmodus

Beim Testspannungsmodus handelt es sich um ein Setup- und Diagnosetool in der Firmware des Reglers der Serie P266, mit dem Sie den Betrieb eines Verflüssigerlüftermotors vor Ort mit unterschiedlichen Spannungswerten testen und so den optimalen Startspannungswert für Ihre Anwendung des Reglers der Serie P266 ermitteln können.

Im Testspannungsmodus können Sie zudem den optimalen Umschaltspannungswert für den M3-Triac P266-Serie-Regleranwendungen ermitteln und einrichten, bei denen ein Niederdrehzahl-Kondensator verwendet wird.

Um den Testspannungsmodus verwenden zu können, benötigen Sie:

- ein Reglermodell der Serie P266 für Ihre Verflüssigerlüfteranwendung
- zugriff auf den mit dem Regler der Serie P266 geregelten Verflüssiger (und Lüftermotor)
- ein Zangenmessgerät mit einem 15-A-Messbereich (um beim Ermitteln des Umschaltspannungswerts die entsprechende Stromaufnahme zu prüfen)
- einen isolierten Messfühler, mit dem die Drucktaste gedrückt und die Positionen der DIP-Schalter geändert werden

- ein 24-VAC-Netzteil der Klasse 2 (**nur** für Reglermodelle der Serie P266, die ein externes 24-VAC-Netzteil erfordern)
- einen Niederdrehzahl-Kondensator, der auf den Lüftermotor abgestimmt ist (**nur** für P266-Serie-Regleranwendungen, bei denen ein Niederdrehzahl-Kondensator verwendet wird)

Hinweis: Der Niederdrehzahl-Kondensator sollte sowohl hinsichtlich des Spannungsbereichs als auch des Mikrofaradwerts dem vom Hersteller bereitgestellten Hilfskondensator entsprechen. Seine Kapazität darf jedoch 15 Mikrofarad nicht übersteigen.

Einrichten des Testspannungsmodus

Vor dem Einschalten eines Reglers der Serie P266 und dem Aktivieren des Testspannungsmodus für den Regler:

1. Lesen und befolgen Sie die Richtlinien und Verfahren in den Abschnitten Montage und Anschluss.
2. Montieren und verdrahten Sie den Regler der Serie P266 in Ihrer Verflüssigeranwendung, und beachten Sie die folgenden zusätzlichen Richtlinien:
 - Beachten Sie das Etikett in der Gehäuseabdeckung des Reglers der Serie P266. Dort finden Sie modellspezifische Details zum Anschluss. Einige Anschlussoptionen finden Sie unter Anschluss.
 - Schließen Sie die Hilfs- und Hauptwicklungen entsprechend den Anweisungen des Motorherstellers und Ihren Anwendungsanforderungen an. Trennen Sie die Wicklungen (an den Wicklungsanschlüssen), und versorgen Sie diese separat mit Spannung, wenn Ihre Anwendung und der Motor eine geteilte Wicklung zulassen. Siehe Abbildung 3 und Abbildung 4.
 - Wenn Sie für Ihre Anwendung einen optionalen Niederdrehzahl-Kondensator verwenden, schließen Sie diesen **erst dann** an den M3-Triac und den Motor an, wenn Sie die maximale Stromaufnahme geprüft und aufgezeichnet haben. Siehe Ermitteln des Umschaltspannungswerts.
 - Wenn Ihr Reglermodell der Serie P266 für den Reglerbetrieb ein externes 24-VAC-Netzteil erfordert, schließen Sie dieses am Regler an. (Beachten Sie das Etikett in der Gehäuseabdeckung des Reglers der Serie P266, das die Anforderungen an ein externes Netzteil enthält).
 - Um den Regler der Serie P266 im Testspannungsmodus zu betreiben, müssen Sie den P266-Wandler **nicht** anschließen, verdrahten oder mit Spannung versorgen. Auch muss keine Last an den Verflüssiger angelegt werden. Im Testspannungsmodus können Sie den DIP-Schalter verwenden, um die Spannung festzulegen, mit der der Motor vom Regler der Serie P266 versorgt wird.

3. Richten Sie den Regler der Serie P266 und den Lüftermotor des Verflüssigers für den vorgesehenen Betrieb ein, indem Sie die erforderlichen Werte und Betriebsmodi für Ihre Verflüssigerlüfteranwendung festlegen. Das entsprechende Verfahren finden Sie unter Inbetriebnahme und Einstellungen.

Ermitteln des Umschaltspannungswerts

Im Testspannungsmodus können Sie den Umschaltspannungswert für P266-Serie-Regleranwendungen ermitteln und einrichten, bei denen ein Niederdrehzahl-Kondensator verwendet wird. So ermitteln Sie den Umschaltspannungswert und richten diesen ein:

1. Montieren, verdrahten und richten Sie den Regler der Serie P266 und den Lüftermotor des Verflüssigers für den Betrieb im Testspannungsmodus ein. Siehe Einrichten des Testspannungsmodus.
Hinweis: Verdrahten Sie den Niederdrehzahl-Kondensator **erst nach** Schritt 6 dieses Verfahrens.
2. Stellen Sie alle DIP-Schalter mit Ausnahme von Schalter 1 in die EIN-Position. Schalter 1 muss auf AUS gesetzt werden.
3. Legen Sie an den Regler der Serie P266 (und gegebenenfalls an das 24-VAC-Netzteil) Netzspannung an, drücken Sie anschließend innerhalb von 30 Sekunden drei Mal die Drucktaste, und lassen Sie diese jeweils los. Die LED leuchtet nicht mehr, der Lüftermotor beschleunigt auf Höchstdrehzahl (bei 95 oder 97 % der Höchstspannung) und verbleibt für bis zu fünf Minuten bei Höchstspannung.
4. Verwenden Sie bei Höchstspannung das Zangenmessgerät, um die Stromaufnahme der Hilfswicklungen des Lüftermotors (in Ampère) zu prüfen, und um die Stromaufnahme der Hilfswicklungen des Motors bei Höchstspannung aufzuzeichnen.
5. Trennen Sie die Netzspannung vom Regler der Serie P266 (und gegebenenfalls vom externen 24-VAC-Netzteil).
6. Schließen Sie den Niederdrehzahl-Kondensator am M3-Triac und den Hilfswicklungen des Motors an. (Die Anschlussoptionen für den M3-Triac finden Sie in Abbildung 3 und Abbildung 4.)
7. Stellen Sie alle DIP-Schalter mit Ausnahme der Schalter 8 und 32 in die AUS-Position. Die Schalter 8 und 32 müssen auf EIN gesetzt werden. ($8 + 32 = 40$ % des Höchstspannungswerts.)

8. Legen Sie an den Regler der Serie P266 (und gegebenenfalls an das 24-VAC-Netzteil) Netzspannung an, drücken Sie anschließend innerhalb von 30 Sekunden drei Mal die Drucktaste, und lassen Sie diese jeweils los. Die LED leuchtet nicht mehr, und der Lüftermotor beschleunigt bis zu einer Drehzahl, die 40 % der Höchstspannung entspricht (für bis zu fünf Minuten).
9. Verwenden Sie bei 40 % der Höchstspannung das Zangenmessgerät, um die Stromaufnahme der an beide Kondensatoren angeschlossenen Hilfswicklungen des Lüftermotors (in Ampère) zu prüfen, und um die Stromaufnahme der Hilfswicklung des Motors bei 40 % der Höchstspannung aufzuzeichnen.
10. Wiederholen Sie Schritt 7, erhöhen Sie jedoch den Spannungsprozentwert um 8 %. Wiederholen Sie anschließend Schritt 8, Schritt 9 und Schritt 10 mit den erhöhten Spannungswerten, bis die Stromaufnahme den (bei Höchstspannung) in Schritt 4 aufgezeichneten Werten entspricht.

Hinweis: Wenn der Motor stoppt oder nicht reibungslos läuft, verringern Sie den Spannungswert mit den DIP-Schaltern um 4 %, und testen Sie den Motorbetrieb.

11. Der DIP-Schalter-Spannungswert entspricht nun der Höchstspannung des Niederdrehzahl-Modus oder dem Wert des Umschaltspannungsmodus.
12. Halten Sie die Drucktaste gedrückt, bis die LED drei Mal blinkt, und lassen Sie die Taste los. Der Umschaltspannungswert für den Regler der Serie P266 wurde eingestellt und gespeichert.
Hinweis: Wenn Sie außerdem den Startspannungswert für den Regler der Serie P266 und den Motor ermitteln und festlegen möchten, können Sie direkt zu Schritt 3 des Verfahrens Ermitteln des Startspannungswerts wechseln.
13. Trennen Sie den Regler der Serie P266 von der Spannungsversorgung, und stellen Sie alle DIP-Schalter in die EIN-Position, um die Drucktaste zu sperren.
14. Schließen Sie den Regler der Serie P266 wieder an die Spannungsversorgung an, um die normale Drehzahlregelung fortzusetzen.

Ermitteln des Startspannungswerts

Im Testspannungsmodus können Sie außerdem den Startspannungswert für Ihre P266-Serie-Regleranwendung ermitteln und festlegen.

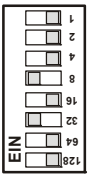
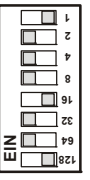
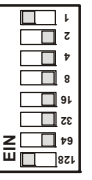
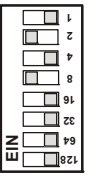
So ermitteln Sie den Startspannungswert und legen diesen fest:

1. Montieren, verdrahten und richten Sie den Regler der Serie P266 und den Lüftermotor des Verflüssigers für den Betrieb im Testspannungsmodus ein. Siehe Einrichten des Testspannungsmodus.

Hinweis: Wenn Sie für Ihre Anwendung den Geteilte-Wicklung-Modus und den Modus für Niederdrehzahl-Kondensatoren verwenden, verdrahten Sie die geteilten Wicklungen und den Niederdrehzahl-Kondensator entsprechend den Anwendungsanforderungen (Abbildung 3A und Abbildung 4A).

2. Legen Sie an den Regler der Serie P266 (und gegebenenfalls an das 24-VAC-Netzteil) Netzspannung an, drücken Sie anschließend innerhalb von 30 Sekunden drei Mal die Drucktaste, und lassen Sie diese jeweils los. Die LED leuchtet nicht mehr.
3. Stellen Sie die DIP-Schalter so ein, dass der Gesamtwert der auf EIN gestellten Schalter einem Prozentsatz entspricht, der Ihrem geschätzten Startspannungswert entspricht oder etwas darüber liegt. (Wenn Sie beispielsweise von einer Startspannung des Motors ausgehen, die 25 % der Gesamtspannung entspricht, stellen Sie die Schalter 16, 8, 4 und 2 auf EIN. $16 + 8 + 4 + 2 = 30$ %, also etwas höher als die Schätzung von 25 %.) Der Lüftermotor wird auf eine Drehzahl bei 30 % der Höchstspannung beschleunigt und behält diese bei.
4. Beobachten Sie den Lüftermotorbetrieb, und prüfen Sie, ob die angelegte Startspannung den Motor mit der gewünschten Startdrehzahl betreibt:
 - Wenn die Startdrehzahl und der Motorbetrieb Ihren Anwendungsanforderungen entsprechen, wechseln Sie zu Schritt 5.
 - Wenn die Startdrehzahl oder der Betrieb Ihren Anwendungsanforderungen nicht entsprechen, kehren Sie zu Schritt 3 zurück, und stellen Sie einen neuen geschätzten Startspannungswert ein, um die gewünschte Startdrehzahl für den Motor zu ermitteln.
5. Wenn der Motor mit der gewünschten Startdrehzahl (dem Startspannungswert) betrieben wird, halten Sie die Drucktaste gedrückt, bis die LED zwei Mal hintereinander blinkt, und lassen Sie die Drucktaste los. Der Startspannungswert für den Regler der Serie P266 wurde eingestellt und gespeichert.
6. Trennen Sie den Regler der Serie P266 von der Spannungsversorgung, und stellen Sie alle DIP-Schalter in die EIN-Position, um die Drucktaste zu sperren.
7. Schließen Sie den Regler der Serie P266 wieder an die Spannungsversorgung an, um die normale Drehzahlregelung fortzusetzen.

Tabelle 2: Beispiel für LED-Blinkfolgen, Setupwerte, Moduseinstellungen am DIP-Schalterblock sowie Standardwerte und -moduseinstellungen

Drucktaste loslassen nach...	Wert/Modusname (Nummer des binären Schalters)	Wertebereich/ Moduseinstellungen (Beispiel- Standardeinstellungen)	Schalternummer und Position Beschreibung des Werts/der Einstellung	DIP-Schalterblock Beispiel- Standardeinstellungen
2 x Blinken	Niederdrehzahl-Modus (Schalter 128)	Einstellungen: EIN oder AUS (Standardeinstellung: AUS)	Schalter 128 AUS = Keine Spannung am Motor, wenn der gemessene Druck kleiner als der Startdruck ist. Schalter 128 EIN = Startspannung am Motor, wenn der gemessene Druck gleich oder kleiner als der Startdruck ist.	
	Startspannungswert (Schalter 1 bis 64)	Wertebereich: 10 bis 90 (Standardwert: 40)	Stellen Sie die Schalter 1 bis 64 so auf EIN oder AUS, dass die Summe der auf EIN gestellten Schalter dem Startspannungswert entspricht.	
3 x Blinken	Startdruckwert (Schalter 1 bis 128)	Wertebereich: 10 bis 230 (Standardwert: 110)	Stellen Sie die Schalter 1 bis 128 so auf EIN oder AUS, dass die Summe der auf EIN gestellten Schalter dem Startdruckwert entspricht.	
	Enddruckwert (Schalter 1 bis 128)	Wertebereich: Startdruck + 8 bis 240 (Standardwert: 129)	Stellen Sie die Schalter 1 bis 128 so auf EIN oder AUS, dass die Summe der auf EIN gestellten Schalter dem Enddruckwert entspricht.	
5 x Blinken (Schalter 64 und 128 AUS)	Geteilte-Wicklung-Modus (Schalter 32)	Einstellungen: EIN oder AUS (Standardeinstellung: AUS)	Schalter 32 EIN = M2-Triac für Spannungsversorgung von geteilten Wicklungen aktiviert. Schalter 32 AUS = M2-Triac ist deaktiviert.	
	Endspannungsmodus (Schalter 16)	Einstellungen: EIN oder AUS (Standardeinstellung: AUS)	Schalter 16 EIN = Versorgt den Motor mit 95 % der P266-Eingangsspannung. Schalter 16 AUS = Versorgt den Motor mit 97 % der P266-Eingangsspannung.	
	Digital Scroll-Kompressoralgorithmus (Schalter 8)	Einstellungen: EIN oder AUS (Standardeinstellung: AUS)	Schalter 8 EIN = Digital Scroll-Algorithmus aktiviert. Schalter 8 AUS = Digital Scroll-Algorithmus deaktiviert.	
	Modus für Niederdrehzahl-Kondensatoren (Schalter 4)	Einstellungen: EIN oder AUS (Standardeinstellung: AUS)	Schalter 4 EIN = Niederdrehzahl-Kondensator ist verfügbar. Schalter 4 AUS = Niederdrehzahl-Kondensator ist nicht verfügbar.	
	Anzahl der Zusatzlüfterstufen (Schalter 1 und 2)	Einstellungen: EIN oder AUS (Standardeinstellung: AUS - AUS)	Stellen Sie die Schalter 1 und 2 auf AUS, wenn keine Zusatzlüfter vorhanden sind. Stellen Sie für den Zusatzlüfter 1 den Schalter 1 auf EIN und Schalter 2 auf AUS. Stellen Sie für die Zusatzlüfter 1 und 2 den Schalter 1 auf AUS und Schalter 2 auf EIN. Stellen Sie für die Zusatzlüfter 1, 2 und 3 die Schalter 1 und 2 auf EIN.	
6 x Blinken (Schalter 128 AUS)	Überschneidung des Zusatzlüfters (Schalter 1 bis 64)	Wertebereich: 1 bis 90 (Standardwert: 10)	Stellen Sie die Schalter 1 bis 64 so auf EIN oder AUS, dass die Summe der auf EIN gestellten Schalter dem Überschneidungswert des Zusatzlüfters entspricht.	
	Umschaltspannungswert (Schalter 1 bis 64)	Wertebereich: 10 bis 80 (Standardwert: 60)	Stellen Sie die Schalter 1 bis 64 so auf EIN oder AUS, dass die Summe der auf EIN gestellten Schalter dem Umschaltspannungswert entspricht.	

Elektronische P266-Druckwandler

Die Regler der Serie P266 referenzieren entweder einen oder zwei elektronische Johnson Controls P266-Druckwandler, um den Verflüssigerdruck zu überwachen.

Bei den P266-Wandlern handelt es sich um Spezialversionen der elektronischen Druckwandler der P499-Serie, die für die Verwendung mit den Reglern der Serie P266 entworfen wurden. Weitere Informationen zu den erhältlichen P266-Wandlermodellen finden Sie in Tabelle 3.

Hinweis: Bei P266-Serie-Regleranwendungen mit P266-Wandlern referenziert der Regler der Serie P266 stets den Wandler, der den größten Druck misst.

WICHTIGER HINWEIS: Wenn an einen Regler der Serie P266 zwei P266-Wandler angeschlossen sind, muss es sich bei beiden um das gleiche Modell handeln (Produktcodenummer). Wenn an den Regler der Serie P266 zwei nicht identische P266-Wandlermodelle angeschlossen werden, kann dies zu unregelmäßigem Reglerverhalten führen.

Weitere Informationen zur Installation von P266-Wandlern finden Sie in *P499 Series Electronic Pressure Transducers Product/Technical Bulletin (LIT-12011190)*.

Tabelle 3: Elektronische P266SNR-Druckwandler

Produkt-Code-Nr.	Beschreibung
P266SNR-1C	Elektronischer Druckwandler: 0 bis 35 bar (0 bis 508 psi) Gesamtbereich mit einem ¼-Zoll- <i>SAE</i> Female Flare-Anschluss und einem 2 m-Kabel.
P266SNR-2C	Elektronischer Druckwandler: 0 bis 52 bar (0 bis 754 psi) Gesamtbereich mit einem ¼-Zoll- <i>SAE</i> Female Flare-Anschluss und einem 2 m-Kabel.

Technische Daten

Drehzahlregler P266xxx-x für einphasige Verflüssigerlüfter

Eingangsversorgungsspannung	208/240 VAC 50/60 Hz, 380/460 VAC 50/60 Hz oder 480/575 VAC 50/60 Hz je nach Modell (Angaben zum Nennspannungsbereich und den modellspezifischen Schaltplan finden Sie auf dem Etikett im Gehäuseinneren des Reglers P266.)
Nennkurzschlussstrom	Geeignet für den Einsatz in einem Schaltkreis mit einer Belastung von max. 5.000 U/sec, symmetrische Stromlast, max. 600 Volt bei Schutz durch Sicherung der Klasse H
Niederspannungsversorgung	Typen P266A, P266B und P266C: Externes 24-VAC-Netzteil der Klasse 2, 20-VA-Netztransformator P266Exx-Typen: Die Niederspannungsversorgung für den Regler P266 wird über einen internen Transformator bereitgestellt. Hinweis: Wenn an Regler des Typs P266E Zusatzlüfterstarter angeschlossen werden, müssen Sie eine externe Schutzkleinspannungs-Wechselspannungsversorgung anschließen, um die Lüfterstarter mit Spannung zu versorgen (Abbildung 2).
Umgebungsbedingungen für den Betrieb	Temperatur: -40 bis 60°C (-40 bis 140°F) Feuchtigkeit: Bis zu 95 % relative nicht kondensierende Feuchte; maximaler Taupunkt 29°C (85°F)
Umgebungsbedingungen für Versand und Lagerung	Temperatur: -40 bis 85°C (-40 bis 185°F) Feuchtigkeit: Bis zu 95 % relative nicht kondensierende Feuchte; maximaler Taupunkt 29°C (85°F)
Niederspannungsanschlüsse	¼-Zoll-Schnellanschlussklemmen, maximal 30 m Drahtlänge
Eingangswandler	P266SNR-x-Druckwandler: Verhältnis: 5 VDC für 0,5 bis 4,5 VDC Analogsignal
Gehäusetyp	NEMA 3R, IP54
Gehäusekonstruktion	Aluminiumguss
Abdeckungskonstruktion	UV-stabilisiertes Polykarbonat

Drehzahlregler P266xxx-x für einphasige Verflüssigerlüfter

Abmessungen (H x B x T)	159 x 177 x 70 mm
Gewicht	Gewicht des schwersten Modells: 1,0 kg Ungefähres Versandgewicht: 1,2 kg
Normen	Europa: Zeichen: CE-konform; CENELEC EN 60947-1 und 4 - 2; RoHS-Richtlinie (2002/95/EC); WEEE-Richtlinie (2002/96/EC) Nordamerika: cULus Nr. 244421; FCC-konform mit CFR 47, Teil 15, Unterteil B, Klasse B Industry Canada (IC)-Konformität mit den kanadischen Grenzwerten für ICES-003, Klasse B Australien: C-Tick-konform (N1813)

Die Leistungsangaben sind nominell und entsprechen anerkannten Industriestandards. Für die Anwendung unter Bedingungen, die über die Angaben in diesem Dokument hinausgehen, wenden Sie sich unter (414) 524-5535 an Johnson Controls Application Engineering. Johnson Controls, Inc. haftet nicht für Schäden, die durch fehlerhaften Gebrauch oder Zweckentfremdung ihrer Produkte entstehen.

US-Emissionskonformität (FCC)

Dieses Gerät wurde gemäß Teil 15 der FCC-Regeln auf die Einhaltung der Grenzwerte für ein digitales Gerät der Klasse B getestet. Diese Grenzwerte sollen einen angemessenen Schutz vor schädlichen Störungen bei Installationen in Wohngebieten gewährleisten. Dieses Gerät erzeugt und verwendet Hochfrequenzenergie und kann diese aussenden. Sofern es nicht gemäß den Anweisungen installiert und verwendet wird, kann dies zu schädlichen Störungen des Funkverkehrs führen. Es kann jedoch nicht gewährleistet werden, dass bei bestimmten Installationen keine Störung auftritt. Wenn dieses Gerät schädliche Störungen des Funk- oder Fernsehempfangs verursacht, was durch ein Ein- und Ausschalten des Geräts festgestellt werden kann, sollte der Benutzer die Störung mithilfe einer oder mehrerer der folgenden Maßnahmen beheben:

- Neuausrichtung oder Wechseln des Standorts der Empfangsantenne
- Vergrößern der Entfernung zwischen Gerät und Empfänger
- Anschließen des Geräts an einer Steckdose, die nicht zum Netz des Empfängers gehört.
- Kontaktieren des Händlers oder eines erfahrenen Funk-/TV-Technikers

Canadian Emissions Compliance

Dieses digitale Gerät der Klasse (B) entspricht allen Anforderungen der Canadian Interference-Causing Equipment Regulations.



Building Efficiency
507 E. Michigan Street, Milwaukee, WI 53202

Johnson Controls/PENN® sind eingetragene Marken von Johnson Controls, Inc.
Alle anderen Marken gehören den jeweiligen Eigentümern. © 2010 Johnson Controls, Inc.

Controllo di velocità per ventilatori di condensazione monofase serie P266

Istruzioni di installazione

P266xxx-x

N° 24-7664-2705 Rev. D

Data di pubblicazione 27 agosto 2010

Sostituisce 8 aprile 2010

Applicazione

IMPORTANTE: Utilizzare il controllo di velocità per ventilatori di condensazione monofase serie P266 solo per controlli operativi. Nel caso in cui un guasto o malfunzionamento del controllo di velocità per ventilatori serie P266 sia a rischio di provocare lesioni personali oppure arrecare danni all'attrezzatura controllata o ad altri beni, è necessario prevedere ulteriori precauzioni nel sistema di controllo. Incorporare e utilizzare altri dispositivi, quali sistemi di allarme o supervisione oppure controlli di sicurezza e limiti, al fine di avvisare della presenza di, o proteggere da, guasti o malfunzionamenti del controllo di velocità per ventilatori serie P266.



ATTENZIONE: pericolo di Danni materiali

Utilizzare solo motori monofase con condensatore permanente inserito approvati dal produttore per applicazioni di controllo della velocità con il controllo serie P266. Il mancato utilizzo di un motore monofase con condensatore permanente inserito può causare danni al motore e ad altri beni.

Il controllo di velocità per ventilatori di condensazione monofase serie P266 è un controllo di velocità economico, compatto, resistente alle intemperie e durevole per motori monofase con condensatore permanente inserito destinato a un'ampia gamma di applicazioni per la refrigerazione a bassa temperatura e la condensazione per il condizionamento dell'aria.

I controlli di velocità per ventilatori serie P266 sono progettati per sostituire i controlli di velocità per ventilatori Johnson Controls® serie P66 e P215 e per fornire ulteriori funzionalità e flessibilità in fase applicativa.

Montaggio

Considerazioni relative all'ubicazione

Osservare le presenti linee guida nel posizionamento e montaggio del controllo di velocità per ventilatori serie P266:

- Assicurarsi che la superficie e la bulloneria di montaggio siano in grado di sostenere il controllo e il cablaggio.

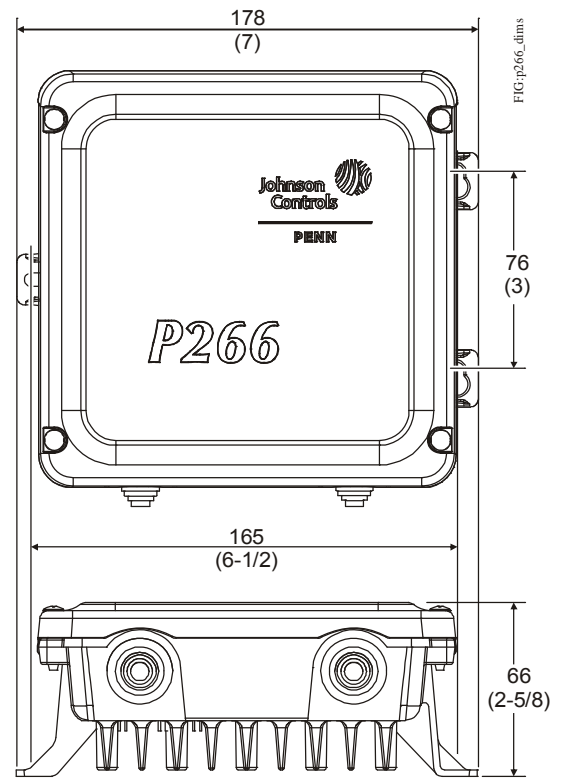


Figura 1: Dimensioni di montaggio del controllo di velocità per ventilatori di condensazione monofase P266, mm

- Montare il controllo serie P266 su una superficie verticale con le alette del dissipatore di calore orientate in verticale e condotto/fori per i cavi elettrici rivolti verso il basso.
- Assicurarsi che l'aria possa fluire attraverso le alette del dissipatore di calore e prevedere uno spazio libero minimo di 10 cm intorno al dissipatore di calore.
- Montare il controllo serie P266 in un luogo lontano da sorgenti di calore eccessivo ed entro le condizioni ambientali di funzionamento specificate. Vedere *Specifiche tecniche* per le condizioni ambientali di funzionamento.

Cablaggio

Consultare lo schema di cablaggio specifico per il modello posto sull'etichetta interna del controllo serie P266 e osservare tali linee guida per il cablaggio del controllo di velocità per ventilatori serie P266:



AVVERTENZA: pericolo di Scosse elettriche.

Scollegare o isolare tutti gli alimentatori prima di eseguire i collegamenti elettrici. Per privare completamente di energia l'apparecchiatura potrebbe essere necessario scollegare o isolare più volte gli alimentatori. Il contatto con componenti sottoposti a tensioni pericolose può causare scosse elettriche con conseguenti lesioni personali gravi o morte.

IMPORTANTE: Non collegare l'alimentazione elettrica al controllo serie P266 prima di aver terminato e controllato tutti i collegamenti elettrici. Eventuali corti circuiti o cavi collegati in modo errato possono causare danni al controllo serie P266 e rendere nulla la garanzia.

IMPORTANTE: Non superare le caratteristiche nominali elettriche del controllo di velocità per ventilatori serie P266. Il superamento di tali caratteristiche può causare danni permanenti al controllo serie P266 e rendere nulla la garanzia.

IMPORTANTE: Utilizzare esclusivamente conduttori in rame 60/75 C. Eseguire tutti i cablaggi in ottemperanza alle norme locali, nazionali e regionali.

IMPORTANTE: Le scariche elettrostatiche possono danneggiare i componenti del controllo P266. Utilizzare le opportune precauzioni contro le scariche elettrostatiche (ESD) durante l'installazione e la manutenzione, onde evitare di danneggiare i componenti del P266.

- Assicurarsi che i cavi tra il controllo serie P266 e il motore dei ventilatori non superino 15 m.
- I cavi collegati alla morsettiera della tensione di linea devono avere una sezione massima di 3,31 mm² (12 AWG).
- I cavi di bassa tensione devono avere una lunghezza massima di 30 m.

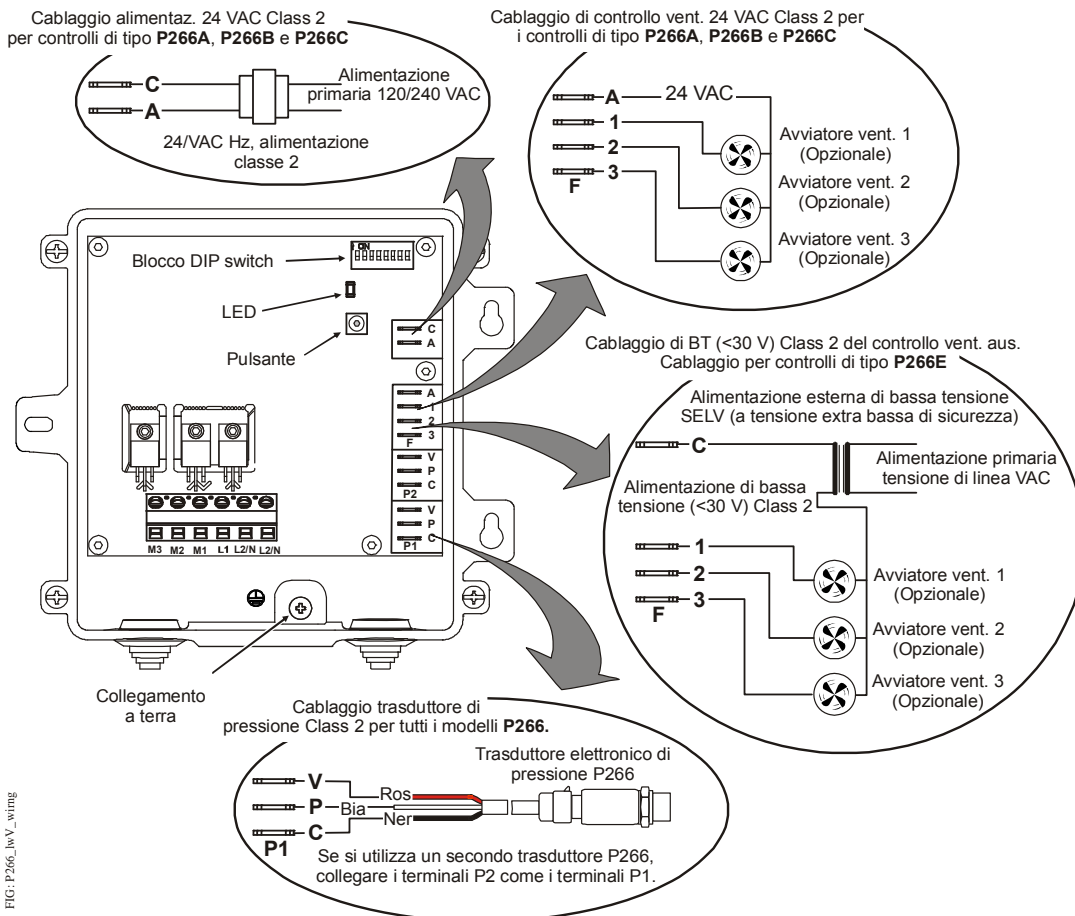


Figura 2: Caratteristiche fisiche e cablaggio di bassa tensione del controllo serie P266

Cablaggio di bassa tensione

La Figura 2 illustra le caratteristiche del controllo serie P266 sotto il coperchio dell'alloggiamento e gli schemi di cablaggio di bassa tensione per i modelli di controlli di tipo P266A, P266B, P266C e P266E.

Cablaggio di alta tensione

La Figura 3 illustra gli schemi di cablaggio di alta tensione per i modelli di controlli di tipo P266A, P266B e P266C. La Figura 4 illustra gli schemi di cablaggio di alta tensione per i modelli di controlli di tipo P266E.

IMPORTANTE: Il terminale L2/N deve essere collegato alla tensione di linea ai fini della conformità del controllo serie P266 alla norma FCC e al limite di emissioni di interferenze di radiofrequenza di classe B dettato dalla norma IEC.

Utilizzare la Tabella 1 per determinare le opzioni di cablaggio di alta tensione disponibili per i modelli di controlli di tipo P266A, P266B, P266C e P266E.

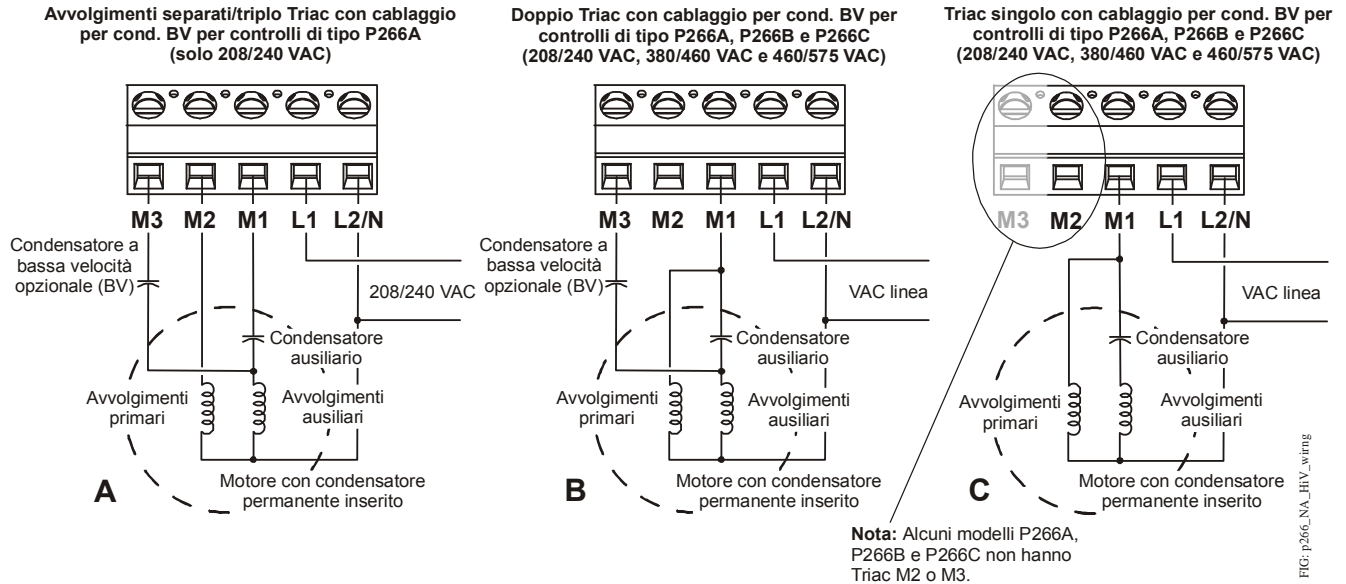


Figura 3: Opzioni di cablaggio di alta tensione per i controlli di tipo P266A, P266B e P266C.

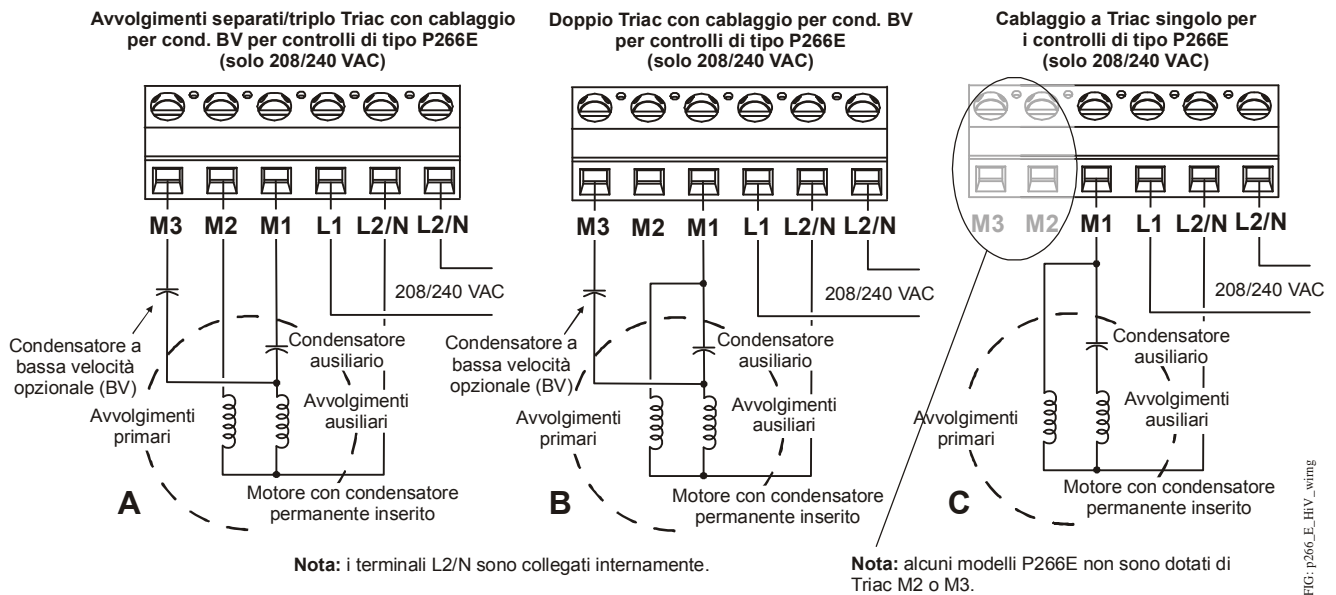


Figura 4: Opzioni di cablaggio di alta tensione per i controlli di tipo P266E

Tabella 1: Opzioni di cablaggio di alta tensione e intervalli di tensione per tipo di prodotto

Numero tipo prodotto	Avvolgimenti separati/triplo Triac con condensatore di bassa velocità	Doppio Triac con Condensatore di bassa velocità			Triac singolo		
		208/240 VAC	208/240 VAC	380/460 VAC	460/575 VAC	208/240 VAC	380/460 VAC
P266AA	Vedere la VedereA	Vedere la Figura 3B	--	--	Vedere la Figura 3C	--	--
P266AB	Vedere la Figura 3A	Vedere la Figura 3B	--	--	Vedere la Figura 3C	--	--
P266AC	--	--	--	--	Vedere la Figura 3C	--	--
P266AD	--	--	--	--	Vedere la Figura 3C	--	--
P266BC	--	--	--	--	--	--	Vedere la Figura 3C
P266BD	--	--	--	--	--	--	Vedere la Figura 3C
P266BG	--	--	--	Vedere la Figura 3B	--	--	Vedere la Figura 3C
P266BH	--	--	--	Vedere la Figura 3B	--	--	Vedere la Figura 3C
P266EA	Vedere la Figura 4A	Vedere la Figura 4B	--	--	Vedere la Figura 4C	--	--
P266EB	Vedere la Figura 4A	Vedere la Figura 4B	--	--	Vedere la Figura 4C	--	--
P266EC	--	--	--	--	Vedere la Figura 4C	--	--
P266ED	--	--	--	--	Vedere la Figura 4C	--	--
P266EE	--	--	--	--	Vedere la Figura 4C	--	--
P266EF	--	--	--	--	Vedere la Figura 4C	--	--
P266CH	--	--	Vedere la Figura 3B	--	--	Vedere la Figura 3C	--

Installazione e regolazioni

Tutti i controlli serie P266 sono forniti con valori e impostazioni delle modalità di default predefiniti in fabbrica. Nella maggior parte delle applicazioni, tali valori e modalità di default non richiedono regolazioni sul campo.

Se l'applicazione del controllo serie P266 richiede la modifica di valori o di impostazioni delle modalità, è necessario:

1. Calcolare i nuovi valori e determinare le nuove impostazioni delle modalità richieste per l'applicazione. (Consultare la sezione *Valori e modalità del controllo serie P266*.)
2. Sostituire le impostazioni esistenti sul controllo con i nuovi valori e modalità utilizzando l'interfaccia di configurazione del controllo serie P266. (Consultare la sezione *Impostazione di valori e modalità*.)

Interfaccia di configurazione del controllo serie P266

L'interfaccia di configurazione del controllo serie P266 è costituita da un blocco di DIP switch con otto commutatori binari, un interruttore a pulsante e un diodo a emissione di luce (LED) verde (Figura 2). È possibile modificare i valori e le modalità di default preimpostati riposizionando i DIP switch e salvando le nuove impostazioni. Il numero dei lampeggiamenti del LED (in sequenza) indica quali valori e/o modalità si stanno salvando. Consultare la Tabella 2 per ulteriori informazioni sulle sequenze di lampeggiamento del LED, i valori e le modalità.

Durante il funzionamento normale, il LED verde è acceso. Quando **si tiene premuto** il pulsante, il LED si spegne per 3 secondi, quindi lampeggia due volte. Il LED poi si spegne di nuovo per 3 secondi e lampeggia tre volte, continuando questo schema fino a sette lampeggiamenti o al rilascio del pulsante.

Ogni sequenza di lampeggiamenti indica un valore o un valore e una serie di impostazioni di modalità. Rilasciando il pulsante dopo la sequenza di lampeggio desiderata, viene salvato il valore e/o le modalità attualmente impostate sul blocco dei DIP switch. Per ulteriori informazioni consultare Tabella 2.

Dopo aver completato l'installazione, impostare tutti i DIP switch sulla posizione ON per bloccare il funzionamento del pulsante.

Valori e modalità del controllo serie P266

I controlli serie P266 dispongono di massimo dieci valori e modalità (in sei sequenze di lampeggiamento) modificabili sul campo. Consultare la Tabella 2 per ulteriori informazioni sulle sequenze di lampeggiamento e valori e modalità associati.

Valore di tensione iniziale

La tensione iniziale (VAC) è la tensione erogata dal controllo serie P266 al motore dei ventilatori per far girare il motore a regime minimo nell'applicazione.

Il **valore di tensione iniziale** è una percentuale della tensione di ingresso del controllo serie P266. Utilizzare la formula seguente per calcolare il valore di tensione iniziale per l'applicazione.

$$\frac{\text{Tensione iniziale (VAC)}}{\text{Tensione linea ingresso controllo P266 (VAC)}} = \text{Valore di tensione iniziale (\%)}$$

Modalità Bassa pressione

La modalità Bassa pressione determina lo stato di attivazione (alla tensione iniziale/regime minimo) o disattivazione del motore dei ventilatori quando la pressione rilevata dal trasduttore P266 è inferiore al setpoint di pressione iniziale.

Valore di pressione iniziale

La pressione iniziale (psi o bar) è il setpoint di pressione a cui il controllo serie P266 eroga la tensione iniziale e fa girare il motore dei ventilatori a regime minimo. Il **valore di pressione iniziale** è una funzione del setpoint di pressione iniziale e dell'intervallo di pressione del trasduttore P266 di riferimento. Utilizzare la formula seguente per calcolare il valore di pressione iniziale. Consultare la Tabella 3 per gli intervalli di pressione del trasduttore P266.

$$\frac{\text{Setpoint pressione iniziale (bar o psi)}}{\text{Intervallo di pressione del trasduttore P266 (bar o psi)}} \times 250 = \text{Valore di pressione iniziale}$$

Valore di pressione finale

Il setpoint di pressione finale è la pressione (psi o bar) a cui il controllo serie P266 eroga la tensione finale e fa girare il motore dei ventilatori a regime massimo. Il **valore di pressione finale** è una funzione del setpoint di pressione finale e dell'intervallo di pressione totale del trasduttore di riferimento. Utilizzare la formula seguente per calcolare il valore di pressione finale dell'applicazione. Consultare la Tabella 3 per gli intervalli di pressione del trasduttore P266.

$$\frac{\text{Setpoint pressione finale (bar o psi)}}{\text{Intervallo di pressione del trasduttore P266 (bar o psi)}} \times 250 = \text{Valore di pressione finale}$$

Modalità Avvolgimenti separati

Alcuni motori monofase con condensatore permanente inserito sono dotati di cavi in avvolgimenti separati. Attivare la modalità Avvolgimenti separati per consentire al Triac M2 di erogare tensione agli avvolgimenti primari (e non agli avvolgimenti ausiliari) e aumentare così l'efficienza del motore (Figura 3A e Figura 4A).

Nota: La modalità Avvolgimenti separati è disponibile per motori monofase con condensatore permanente inserito **esclusivamente da 240 VAC dotati di cavi in avvolgimenti separati**. Consultare le istruzioni di installazione del produttore del motore per stabilire se il motore dei ventilatori può essere cablato in modo da consentire la modalità Avvolgimenti separati.

Modalità compressore Copeland Digital Scroll™

La modalità compressore Digital Scroll Compressor consente di utilizzare il controllo serie P266 su un sistema che utilizza un compressore a scorrimento digitale. La mancata abilitazione della modalità compressore a scorrimento digitale quando si utilizza un compressore a scorrimento digitale può comportare un'oscillazione della ventola del condensatore.

Modalità Tensione finale

La tensione finale è la tensione erogata dal controllo serie P266 (come percentuale della tensione totale) che viene mantenuta quando la pressione monitorata è uguale o maggiore della pressione finale. La modalità Tensione finale può essere impostata sul 95% o 97% della tensione in ingresso totale. Consultare la sezione Figura 5.

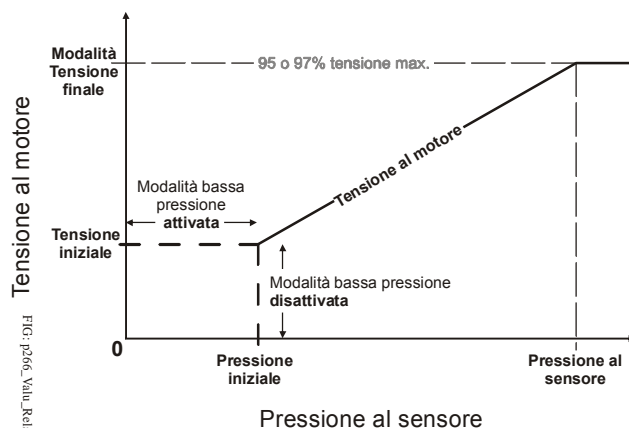


Figura 5: Relazione tra variabili controllo di velocità per ventilatori P266

Modalità Condensatore di bassa velocità

In alcune applicazioni di controllo della velocità per ventilatori, è possibile collegare un condensatore di bassa velocità (fornito dall'utente) al Triac M3 del controllo serie P266 e al motore dei ventilatori controllato (Figura 3 e Figura 4). Il condensatore di bassa velocità viene attivato alle basse tensioni per migliorare l'efficienza e le prestazioni del motore dei ventilatori. Attivare la modalità Condensatore di bassa velocità quando si utilizza un condensatore di questo tipo.

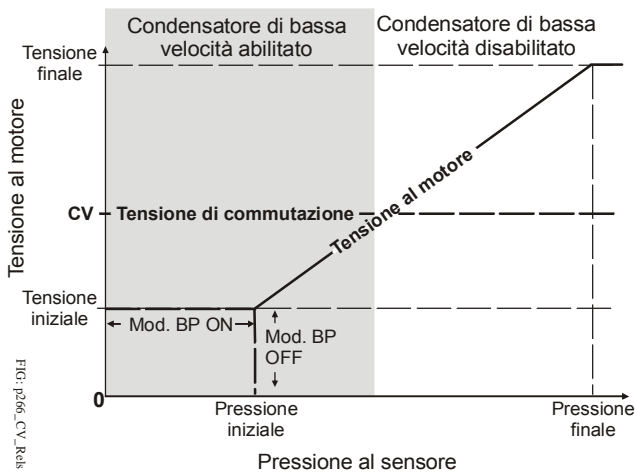


Figura 6: Funzionamento del condensatore di bassa velocità

Nota: il condensatore opzionale di bassa velocità deve essere equivalente per intervallo di tensione e valore di microfarad al condensatore ausiliario fornito dal produttore, ma non deve superare 15 microfarad.

Nota: quando si utilizza un condensatore di bassa velocità nell'applicazione del controllo serie P266, è inoltre necessario impostare il valore della tensione di commutazione. Consultare Valore di tensione di commutazione e Determinazione del valore di tensione di commutazione per ulteriori informazioni sull'impostazione del valore della tensione di commutazione.

Modalità Fase di ventilazione ausiliaria

È possibile impostare il controllo serie P266 in modo che alterni l'attivazione/disattivazione di un massimo di tre motori di ventilatori (a velocità fissa) supplementari o fasi di ventilazione in concomitanza con il ventilatore a velocità variabile comandato dal controllo serie P266.

I tre circuiti di bassa tensione (Figura 2) possono essere cablati per controllare il motore dei ventilatori ausiliari/gli avviatori di fase. Consultare la Tabella 2 per informazioni sull'impostazione del numero di ventilatori ausiliari utilizzati nell'applicazione.

Nella Figura 7 è illustrata un'applicazione del controllo serie P266 con un ventilatore ausiliario funzionante in concomitanza con il ventilatore a velocità controllata. Quando il carico del condensatore supera la capacità di erogazione del ventilatore a velocità controllata, il controllo serie P266 accende il ventilatore ausiliario e passa il ventilatore a velocità controllata (P266) a una nuova pressione iniziale.

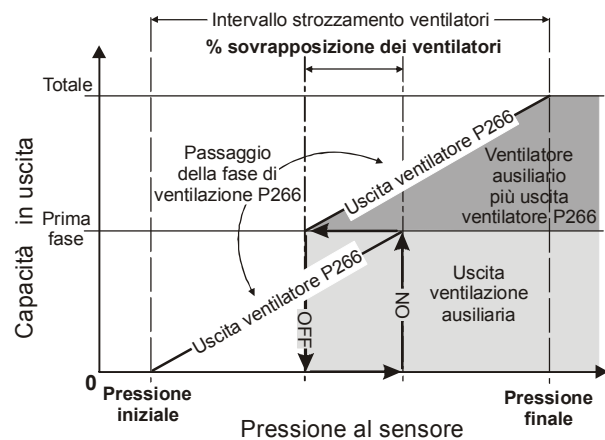


Figura 7: Ventilatore a velocità controllata (con P266) funzionante con una fase di ventilazione ausiliaria (attivata/disattivata) sull'intero intervallo della pressione

Valore di sovrapposizione dei ventilatori ausiliari

Il valore di sovrapposizione dei ventilatori ausiliari determina la sovrapposizione dell'intervallo di pressione (come percentuale dell'intervallo di pressione totale [strozzamento] tra le fasi di ventilazione impostate sul controllo serie P266. Il valore di sovrapposizione dei ventilatori ausiliari è uguale per tutte le fasi di ventilazione ausiliaria impostate sul controllo.

L'aumento del valore di sovrapposizione dei ventilatori ausiliari diminuisce la frequenza di ciclo (attivazione/disattivazione) dei ventilatori ausiliari e aumenta il differenziale di pressione tra le fasi di ventilazione ausiliaria (ciò aumenta l'intervallo di pressione di ciascuna fase di ventilazione ausiliaria).

Nota: se il controllo serie P266 è impostato per l'assenza di ventilatori ausiliari, il valore di sovrapposizione dei ventilatori ausiliari non viene utilizzato. Consultare la Tabella 2 per informazioni sull'impostazione del numero di ventilatori ausiliari utilizzati nell'applicazione.

Valore di tensione di commutazione

Il valore di tensione di commutazione determina la tensione a cui il controllo serie P266 attiva e disattiva il Triac M3 e il condensatore di bassa velocità (Figura 6). Consultare la sezione Determinazione del valore di tensione di commutazione.

Impostazione di valori e modalità

Per modificare impostazioni e valori su un controllo serie P266:

1. Determinare i setpoint di pressione di esercizio (psi o bar), tensione in ingresso e in uscita (VAC) e le altre modalità di funzionamento richieste per l'applicazione del controllo per motore di ventilatori di condensazione.
2. Convertire i setpoint di pressione selezionati (psi o bar) e le tensioni desiderate (VAC) in valori del controllo serie P266. Consultare Valori e modalità del controllo serie P266 e Tabella 2.
3. Posizionare i DIP switch in modo da impostare i nuovi valori e/o modalità. Consultare la sezione Impostazione del blocco dei DIP switch.
4. Premere e tenere premuto il pulsante fino a quando il numero di lampeggiamenti del LED non indica il valore o la serie di modalità e/o i valori desiderati. Rilasciare il pulsante **dopo**:
 - **due lampeggiamenti** per salvare l'impostazione della modalità Bassa pressione e il valore di tensione iniziale
 - **tre lampeggiamenti** per salvare il valore di pressione iniziale
 - **quattro lampeggiamenti** per salvare il valore di pressione finale
 - **cinque lampeggiamenti** per salvare le impostazioni delle modalità Avvolgimenti separati, Tensione finale, Condensatore di bassa velocità e Fasi di ventilazione ausiliaria
 - **sei lampeggiamenti** per salvare il valore di sovrapposizione dei ventilatori ausiliari
 - **sette lampeggiamenti** per salvare il valore di tensione di commutazione
5. Ripetere i passaggi 3 e 4 per il valore e/o modalità successivi da modificare.
6. Dopo aver salvato tutti i nuovi valori e le impostazioni di modalità, impostare tutti i DIP switch sulla posizione ON per bloccare il funzionamento del pulsante.

Impostazione del blocco dei DIP switch

Per impostare i nuovi valori e modalità sul blocco dei DIP switch:

1. Portare tutti i DIP switch del blocco sulla posizione OFF.

2. Portare gli switch numerati sulla posizione ON in modo che il totale dei numeri degli switch (in posizione ON) sia uguale al valore di impostazione desiderato. Iniziare dallo switch con il numero più elevato inferiore al valore di impostazione. (Ad esempio, se il valore di impostazione desiderato è 185, portare innanzitutto lo switch 128 sulla posizione ON. Portare quindi lo switch 32 su tale posizione, seguito dallo switch 16, dall'8 e dall'1 [128 + 32 + 16 + 8 + 1 = 185] [Figura 8]).

Le impostazioni delle modalità richiedono il posizionamento di solo uno o due DIP switch del blocco, a seconda della modalità. Consultare la Tabella 2 per ulteriori informazioni su valori e modalità associati al numero di lampeggiamenti del LED.

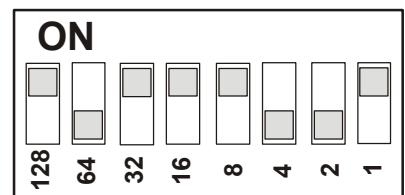


Figura 8: Un blocco di DIP switch posizionati per un valore di impostazione di 185

IMPORTANTE: Tutti i DIP switch del blocco devono essere impostati sulle posizioni appropriate per l'applicazione prima di premere e rilasciare il pulsante per salvare i valori e/o le impostazioni delle modalità. Per ulteriori informazioni sulle posizioni degli switch, consultare la Tabella 2.

Modalità Tensione di test

La modalità Tensione di test costituisce uno strumento di configurazione e diagnostica del firmware del controllo serie P266 che consente di eseguire test del funzionamento del motore dei ventilatori di condensazione a diversi valori di tensione sul campo e di determinare il valore ottimale di tensione iniziale per l'applicazione del controllo serie P266.

La modalità Tensione di test consente inoltre di determinare e impostare il valore ottimale di tensione di commutazione per il Triac M3 nelle applicazioni del controllo serie P266 che utilizzano un condensatore di bassa velocità.

Per utilizzare la modalità Tensione di prova è necessario:

- un modello di controllo serie P266 progettato per l'applicazione di ventilatori di condensazione di interesse
- accesso al condensatore (e al motore dei ventilatori) controllato dal serie P266

- una pinza amperometrica con intervallo di 15 A (per controllare l'assorbimento di corrente di commutazione quando si determina il valore della tensione di commutazione)
- una sonda isolata per tenere premuto il pulsante e modificare la posizione dei DIP switch
- un'alimentazione 24 VAC di classe 2 (**solo** per i modelli dei controlli serie P266 che richiedono un'alimentazione esterna da 24 VAC)
- un condensatore di bassa velocità dimensionato in base al motore dei ventilatori (**solo** per le applicazioni di controlli serie P266 che utilizzano un condensatore di bassa velocità)

Nota: il condensatore di bassa velocità deve essere equivalente per quanto riguarda il valore di microfarad al condensatore ausiliario del produttore del motore, ma non deve superare 15 microfarad.

Impostazione della modalità Tensione di test

Prima di alimentare un controllo serie P266 e attivare su di esso la modalità Tensione di test:

1. Leggere e seguire le linee guida e le procedure delle sezioni Montaggio e Cablaggio.
2. Montare e cablare il controllo serie P266 nell'applicazione di condensazione e osservare le seguenti linee guida aggiuntive:
 - Consultare l'etichetta all'interno del coperchio dell'alloggiamento del controllo serie P266 per i dettagli di cablaggio specifici per il modello. Consultare Cablaggio per alcune opzioni di cablaggio.
 - Cablare gli avvolgimenti ausiliari e primari seguendo le istruzioni del produttore del motore e i requisiti dell'applicazione. Dividere gli avvolgimenti (a livello dei conduttori) e alimentarli separatamente qualora l'applicazione e il motore consentano il funzionamento con avvolgimenti separati. Consultare Figura 3 e Figura 4.
 - Se nell'applicazione viene utilizzato un condensatore di bassa velocità opzionale, collegare tale condensatore al Triac M3 e al motore **solo** dopo aver controllato e registrato l'assorbimento di energia al valore massimo. Consultare la sezione Determinazione del valore di tensione di commutazione.
 - Se il modello di controllo serie P266 di cui si dispone richiede un'alimentazione esterna da 24 VAC, cablare tale alimentazione al controllo. Consultare l'etichetta di cablaggio all'interno del coperchio del controllo serie P266 per i requisiti relativi all'alimentazione esterna.

- **Non** è necessario collegare, cablare o alimentare il trasduttore P266, né porre un carico sul condensatore per utilizzare il controllo serie P266 in modalità Tensione di test. La modalità Tensione di test consente di utilizzare il DIP switch per impostare la tensione erogata al motore dal controllo serie P266.

3. Impostare il controllo serie P266 e il motore per ventilatori di condensazione per il funzionamento previsto, impostando le modalità di esercizio e i valori richiesti per l'applicazione dei ventilatori di condensazione. Per le procedure consultare Installazione e regolazioni.

Determinazione del valore di tensione di commutazione

In modalità Tensione di test è inoltre possibile determinare e impostare il valore di tensione di commutazione per le applicazioni del controllo serie P266 che utilizzano un condensatore di bassa velocità opzionale. Per determinare e impostare il valore di tensione di commutazione:

1. Montare, cablare e configurare il controllo serie P266 e il motore per ventilatori di condensazione per il funzionamento in modalità Tensione di test. Consultare la sezione Impostazione della modalità Tensione di test.
- **Nota:** **non** cablare il condensatore di bassa velocità fino al passaggio 6 di questa procedura.
2. Portare tutti i DIP switch tranne l'1 in posizione ON; impostare lo switch 1 su OFF.
3. Applicare la corrente della tensione di linea al controllo serie P266 (e l'alimentazione esterna da 24 VAC nei modelli che la richiedono), quindi, entro i primi 30 secondi dall'applicazione della corrente, premere e rilasciare il pulsante per tre volte. Il LED si spegne in modo permanente e il motore dei ventilatori accelera fino al regime massimo (al 95 o 97% della tensione massima) e rimane alla tensione massima fino a 5 minuti.
4. Alla tensione massima, utilizzare la pinza amperometrica per controllare l'assorbimento di corrente (in ampere) degli avvolgimenti ausiliari del motore dei ventilatori e registrare l'assorbimento di corrente degli avvolgimenti ausiliari del motore alla tensione massima.
5. Scollegare la corrente di tensione di linea dal controllo serie P266 (e l'alimentazione esterna da 24 VAC nei modelli che la richiedono).
6. Collegare il condensatore di bassa velocità al Triac M3 e agli avvolgimenti ausiliari del motore. Consultare la Figura 3 e la Figura 4 per le opzioni di cablaggio del Triac M3.

7. Portare tutti i DIP switch tranne gli switch 8 e 32 in posizione OFF; impostare gli switch 8 e 32 su ON (8 + 32 = 40% del valore della tensione massima).
8. Applicare la corrente della tensione di linea al controllo serie P266 (e l'alimentazione esterna da 24 VAC nei modelli che la richiedono), quindi, entro i primi 30 secondi dall'applicazione della corrente, premere e rilasciare il pulsante per tre volte. Il LED si spegne in modo permanente e il motore dei ventilatori accelera fino a raggiungere il regime corrispondente al 40% della tensione massima (fino a 5 minuti).
9. Al 40% della tensione massima, utilizzare la pinza amperometrica per controllare l'assorbimento di corrente (in ampere) degli avvolgimenti ausiliari del motore dei ventilatori collegati a entrambi i condensatori e registrare l'assorbimento attuale di corrente degli avvolgimenti ausiliari del motore al 40% della tensione massima.
10. Ripetere il Passaggio 7 aumentando dell'8% il valore percentuale della tensione, quindi ripetere il Passaggio 8, il Passaggio 9 e il Passaggio 10 con valori di tensione sempre maggiori fino a quando l'assorbimento di corrente non equivale all'assorbimento (tensione massima) registrato al Passaggio 4.

Nota: se il motore si ferma o presenta un funzionamento irregolare, ridurre del 4% il valore di tensione sui DIP switch e controllare il funzionamento del motore.

11. Il valore di tensione dei DIP switch è ora equivalente alla tensione massima della modalità a bassa velocità o al valore di tensione di commutazione.
12. Premere e tenere premuto il pulsante fino a quando il LED lampeggia per 3 volte, quindi rilasciare il pulsante. Il valore di tensione di commutazione viene impostato e salvato sul controllo serie P266.
Nota: se si desidera determinare e impostare anche il valore di tensione iniziale per il controllo serie P266 e per il motore, andare direttamente al Passaggio 3 della procedura di Determinazione del valore di tensione iniziale.
13. Scollegare l'alimentazione al controllo serie P266 e impostare tutti i DIP switch sulla posizione ON per bloccare il funzionamento del pulsante.
14. Ricollegare l'alimentazione al controllo serie P266 per riprendere il normale controllo della velocità del motore.

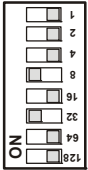
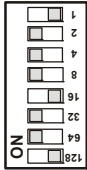




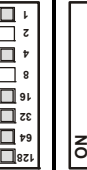


Determinazione del valore di tensione iniziale

In modalità Tensione di test è inoltre possibile determinare e impostare il valore di tensione iniziale per l'applicazione del controllo serie P266.

Per determinare e impostare il valore di tensione iniziale:

1. Montare, cablare e configurare il controllo serie P266 e il motore per ventilatori di condensazione per il funzionamento in modalità Tensione di test. Consultare la sezione Impostazione della modalità Tensione di test.
Nota: se l'applicazione utilizza la modalità Avvolgimenti separati e la modalità Condensatore di bassa velocità, collegare gli avvolgimenti separati e il condensatore di bassa velocità secondo i requisiti dell'applicazione (Figura 3A e Figura 4A).
2. Applicare la corrente della tensione di linea al controllo serie P266 (e l'alimentazione esterna da 24 VAC nei modelli che la richiedono), quindi, entro i primi 30 secondi dall'applicazione della corrente, premere e rilasciare il pulsante per tre volte. Il LED si spegne in modo permanente.
3. Posizionare i DIP switch in modo che il valore totale degli switch posizionati su ON sia pari a un valore percentuale uguale o leggermente superiore al valore di tensione iniziale stimato. Ad esempio, se si stima che la tensione iniziale del motore sia il 25% della tensione totale, posizionare gli switch 16, 8, 4 e 2 su ON. $16 + 8 + 4 + 2 = 30\%$, ovvero un valore leggermente superiore alla stima del 25%. Il motore dei ventilatori accelera fino a raggiungere il regime corrispondente al 30% della tensione massima e resta su tale regime.
4. Osservare il funzionamento del motore dei ventilatori e determinare se la tensione iniziale applicata fa girare il motore al regime iniziale desiderato:
 - Se il regime iniziale e il funzionamento del motore soddisfano i requisiti dell'applicazione, andare al Passaggio 5.
 - Se il regime iniziale o il funzionamento del motore non soddisfano i requisiti dell'applicazione, tornare al Passaggio 3 e impostare un nuovo valore di tensione iniziale per generare il regime iniziale desiderato del motore.
5. Quando il motore gira al regime iniziale desiderato (valore di tensione iniziale), premere e tenere premuto il pulsante fino a quando il LED lampeggia 2 volte di seguito, quindi rilasciare il pulsante. Il valore di tensione iniziale viene impostato e salvato sul controllo serie P266.
6. Scollegare l'alimentazione al controllo serie P266 e impostare tutti i DIP switch sulla posizione ON per bloccare il funzionamento del pulsante.
7. Ricollegare l'alimentazione al controllo serie P266 per riprendere il normale controllo della velocità del motore.

Tabella 2: Sequenze di lampeggiamento del LED, valori di impostazione, impostazioni di modalità sul blocco di DIP switch ed esempio di valori e impostazioni di modalità di default

Rilasciare il pulsante dopo	Valore/Nome modalità (numero switch binario)	Intervallo di valori/ Impostazioni modalità (esempio di impostazioni di default)	Numero switch e posizione	Blocco DIP switch Esempio impostazioni di default
Due lampeggiamenti	Modalità Bassa velocità (Switch 128)	Impostazioni: ON o OFF (Impostazione di default: OFF)	Switch 128 OFF = Nessuna tensione al motore quando la pressione rilevata è inferiore alla pressione iniziale. Switch 128 ON = Tensione iniziale erogata al motore quando la pressione rilevata è uguale o inferiore alla pressione iniziale.	
	Valore di tensione iniziale (Switch da 1 a 64)	Intervallo di valori: da 10 a 90 (Valore di default: 40)	Posizionare gli switch da 1 a 64 su ON o OFF in modo che la somma degli switch impostati su ON sia pari al valore di tensione iniziale.	
Tre lampeggiamenti	Valore di pressione iniziale (Switch da 1 a 128)	Intervallo di valori: da 10 a 230 (Valore di default: 110)	Posizionare gli switch da 1 a 128 su ON o OFF in modo che la somma degli switch impostati su ON sia pari al valore di pressione iniziale.	
	Valore di pressione finale (Switch da 1 a 128)	Intervallo di valori: da [Pressione iniziale + 8] a 240 (Valore di default: 129)	Posizionare gli switch da 1 a 128 su ON o OFF in modo che la somma degli switch impostati su ON sia pari al valore di pressione finale.	
Cinque lampeggiamenti (Switch 64 e 128 OFF)	Modalità Avvolgimenti separati (Switch 32)	Impostazioni: ON o OFF (Impostazione di default: OFF)	Switch 32 su ON = Triac M2 attivato per alimentare gli avvolgimenti separati. Switch 32 su OFF = Triac M2 disattivato.	
	Modalità Tensione finale (Switch 16)	Impostazioni: ON o OFF (Impostazione di default: OFF)	Switch 16 su ON = Eroga al motore il 95% della tensione in ingresso di P266. Switch 16 su OFF = Eroga al motore il 97% della tensione in ingresso di P266.	
Sei lampeggiamenti (Switch 128 OFF)	Algoritmo compressore a scorrimento digitale (Switch 8)	Impostazioni: ON o OFF (Impostazione di default: OFF)	Switch 8 ON = Algoritmo compressore a scorrimento digitale abilitato. Switch 8 OFF = Algoritmo compressore a scorrimento digitale disabilitato.	
	Modalità Condensatore di bassa velocità (Switch 4)	Impostazioni: ON o OFF (Impostazione di default: OFF)	Switch 4 su ON = Condensatore di bassa velocità disponibile. Switch 4 su OFF = Condensatore di bassa velocità non disponibile.	
Sette lampeggiamenti (Switch 128 OFF)	Numero di fasi di ventilazione ausiliaria (Switch 1 e 2)	Impostazioni: ON o OFF (Impostazione di default: OFF - OFF)	Posizionare gli switch 1 su OFF e 2 su OFF in assenza di ventilatori ausiliari. Posizionare gli switch 1 su ON e 2 su OFF per il ventilatore ausiliario 1. Posizionare gli switch 1 su OFF e 2 su ON per i ventilatori ausiliari 1 e 2. Posizionare gli switch 1 su ON e 2 su ON per i ventilatori ausiliari 1, 2 e 3.	
	Sovrapposizione dei ventilatori ausiliari (Switch da 1 a 64)	Intervallo di valori: da 1 a 90 (Valore di default: 10)	Posizionare gli switch da 1 a 64 su ON o OFF in modo che la somma degli switch impostati su ON sia pari al valore di sovrapposizione dei ventilatori ausiliari.	
Sette lampeggiamenti (Switch 128 OFF)	Valore di tensione di commutazione (Switch da 1 a 64)	Intervallo di valori: da 10 a 80 (Valore di default: 60)	Posizionare gli switch da 1 a 64 su ON o OFF in modo che la somma degli switch impostati su ON sia pari al valore di tensione di commutazione.	

Trasduttori elettronici di pressione P266

I controlli serie P266 sono progettati per fare riferimento a uno o due trasduttori elettronici di pressione Johnson Controls P266 ai fini del monitoraggio della pressione del condensatore.

I trasduttori P266 costituiscono versioni specializzate dei trasduttori elettronici di pressione serie P499, progettati per essere utilizzati nei controlli serie P266. Consultare la Tabella 3 per i modelli di trasduttori P266 disponibili.

Nota: nelle applicazioni dei controlli serie P266 che utilizzano due trasduttori P266, il controllo serie P266 fa sempre riferimento al trasduttore che rileva la pressione più elevata.

IMPORTANTE: quando a un controllo serie P266 sono collegati due trasduttori P266, questi devono essere dello stesso modello (codice prodotto). In caso di collegamento al controllo P266 di trasduttori P266 di modelli diversi, il controllo serie P266 può avere un funzionamento irregolare.

Consultare il *Manuale di prodotto dei trasduttori elettronici di pressione serie P499 (LIT 12011190)* per informazioni sull'installazione dei trasduttori P266.

Tabella 3: Trasduttori elettronici di pressione P266SNR

Codice prodotto	Descrizione
P266SNR-1C	Trasduttore elettronico di pressione: intervallo totale da 0 a 35 bar (da 0 a 508 psi) con giunto a cartella femmina SAE da 1/4 di pollice e cavo da 2 metri.
P266SNR-2C	Trasduttore elettronico di pressione: intervallo totale da 0 a 52 bar (da 0 a 754 psi) con giunto a cartella femmina SAE da 1/4 di pollice e cavo da 2 metri.

Specifiche tecniche

Controllo di velocità per ventilatori di condensazione monofase P266xxx-x

Alimentazione in ingresso	208/240 VAC 50/60 Hz, 380/460 VAC 50/60 Hz o 480/575 VAC 50/60 Hz a seconda del modello (Consultare l'etichetta all'interno del coperchio dell'alloggiamento del controllo P266 per l'intervallo di tensione nominale e i dettagli di cablaggio specifici per il modello).
Valore della corrente di cortocircuito (SCCR)	Idoneo per l'uso su un circuito erogante non più di 5.000 rms di ampere simmetrici, per una tensione massima di 600V, se protetto con fusibili di classe H.
Alimentazione di bassa tensione	Tipo P266A, P266B e P266C: trasformatore di alimentazione esterno 24 VAC classe 2, 20 VA Tipi P266Exx: l'alimentazione di bassa tensione per il controllo P266 è erogata da un trasformatore integrato. Nota: quando gli avviatori dei ventilatori ausiliari sono collegati a controlli di tipo P266E è necessario prevedere un'alimentazione AC SELV (a tensione extra bassa di sicurezza) per alimentare gli avviatori (Figura 2).
Condizioni ambientali di funzionamento	Temperatura: Da -40 a +60°C (da -40 a +140°F) Umidità: fino al 95% di umidità relativa senza condensa; punto di rugiada massimo di 29°C (85°F)
Condizioni di spedizione e conservazione	Temperatura: da -40 a +85°C (da -40 a +185°F) Umidità: fino al 95% di umidità relativa senza condensa; punto di rugiada massimo di 29°C (85°F)
Conessioni di bassa tensione	Terminali ad attacco rapido da 1/4 di pollice, estensione dei cavi max. 30 m
Trasduttore di ingresso	Trasduttore di pressione P266SNR-x: 5 VDC per segnale analogico raziometrico da 0,5 a 4,5 VDC
Tipo di contenitore	NEMA 3R, IP54
Materiale della custodia	Alluminio pressofuso
Materiale del coperchio	Policarbonato stabilizzato UV

Controllo di velocità per ventilatori di condensazione monofase P266xxx-x

Dimensioni (A x L x P)	159 x 177 x 70 mm
Peso	Modello più pesante: 1,0 kg Peso di spedizione approssimativo: 1,2 kg
Conformità	Europa: marchio: conformità CE; GENELEC EN 60947-1 e 4-2; Direttiva RoHS (2002/95/CE); Direttiva WEEE (2002/96/CE) Nord America: cULus File 244421; Conforme alla sezione 15 del CFR47 normative FCC, sottosezione B, classe B Conforme alla norma canadese ICES-003 di Industry Canada (IC), limiti classe B Australia: conforme a C-Tick (N1813)

Le specifiche delle prestazioni sono nominali e conformi a standard industriali accettabili. Per applicazioni e condizioni che non rientrano in queste specifiche, consultare l'ufficio Progettazione applicazioni di Johnson Controls al numero +1 414 524 5535. Johnson Controls, Inc. non è responsabile di eventuali danni risultanti da un uso scorretto dei suoi prodotti.

Conformità alle norme statunitensi in materia di emissioni (FCC)

La presente apparecchiatura è stata sottoposta a test e riscontrata conforme ai limiti per i dispositivi digitali di classe B ai sensi della sezione 15 delle normative FCC. Tali limiti sono stabiliti al fine di fornire una protezione ragionevole contro le interferenze dannose nelle installazioni residenziali. Questa apparecchiatura genera, utilizza e può emettere energia di radiofrequenza e, qualora non installata e utilizzata in ottemperanza alle istruzioni, può causare interferenze dannose alle radiocomunicazioni. Non esiste tuttavia alcuna garanzia che non si verifichino interferenze in una particolare installazione. Nel caso questa apparecchiatura causi interferenze dannose alla ricezione radio o televisiva, evenienza riscontrabile accendendo e spegnendo l'apparecchiatura stessa, si invita l'utente a tentare di correggere l'interferenza adottando una o più delle misure seguenti:

- Riorientare o riposizionare l'antenna di ricezione.
- Aumentare lo spazio che separa l'apparecchiatura e il ricevitore.
- Collegare l'apparecchiatura a una presa di un circuito diverso da quella a cui è collegato il ricevitore.
- Rivolgersi al rivenditore o a un tecnico radiotelevisivo esperto per ricevere assistenza.

Conformità alle norme canadesi in materia di emissioni

Questa apparecchiatura digitale di classe (B) soddisfa tutti i requisiti delle normative canadesi in materia di apparecchiature causanti interferenze.



Building Efficiency

507 E. Michigan Street, Milwaukee, WI 53202

Johnson Controls/PENN® sono marchi registrati di Johnson Controls, Inc.

Tutti gli altri marchi citati in questo documento sono marchi dei rispettivi proprietari. © 2010 Johnson Controls, Inc.

Control de velocidad del ventilador del condensador monofásico de la serie P266

Instrucciones de instalación

P266xxx-x

Parte n.º 24-7664-2705, Rev. D

Publicado 27 de agosto de 2010

Reemplaza 8 de abril de 2010

Aplicación

IMPORTANTE: utilice este Control de velocidad del ventilador del condensador monofásico serie P266 solo como un control de funcionamiento. Si un fallo o un mal funcionamiento del Control de velocidad del ventilador serie P266 pudiera producir lesiones personales o daños materiales en el equipo controlado o en cualquier otra propiedad, se deberán tomar precauciones adicionales en el sistema de control. Incorpore y mantenga otros dispositivos, como sistemas de supervisión o de alarma, controles de seguridad o limitadores con el fin de alertar y proteger de un fallo o error de funcionamiento del Control de velocidad del ventilador serie P266.



PRECAUCIÓN: riesgo de daños materiales

Utilice motores con condensador dividido permanente (PSC) monofásico aprobados por el fabricante para la aplicación de control de velocidad con el control serie P266. El fallo en el uso de un motor PSC monofásico puede dañar el motor y otros materiales.

El Control de velocidad del ventilador del condensador monofásico serie P266 es un control de velocidad rentable, compacto, resistente a las inclemencias climáticas y duradero, para motores PSC monofásico utilizados en una amplia gama de aplicaciones de condensador de refrigeración y aire acondicionado a bajas temperaturas.

Los controles de velocidad del ventilador serie P266 están diseñados para reemplazar a los controles de velocidad de ventilador de las series P66 y P215 de Johnson Controls® y proporcionar funciones adicionales y flexibilidad de aplicación.

Montaje

Consideraciones locales

Tenga en cuenta estas directrices a la hora de ubicar y montar un control de velocidad del ventilador serie P266:

- Asegúrese de que la superficie de montaje está limpia y de que el hardware de montaje puede soportar el control y el cableado.

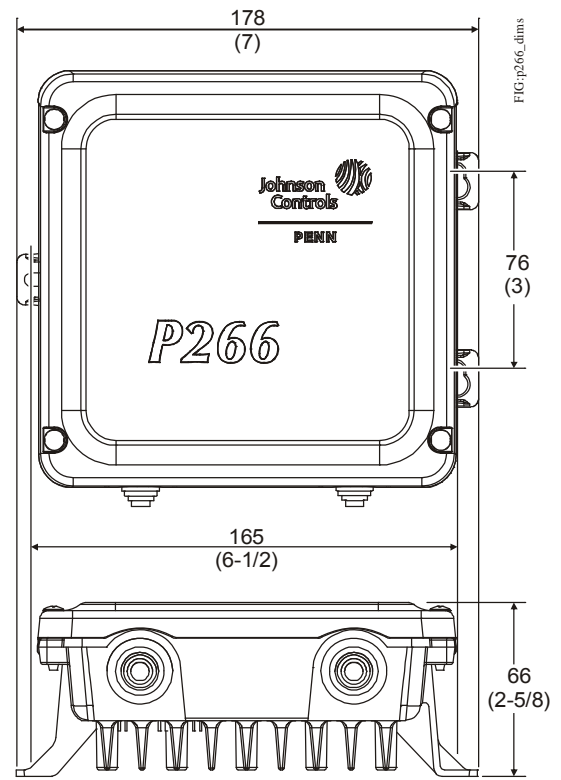


Figura 1: Condensador P266 monofásico
Dimensiones de montaje del control de velocidad del ventilador en mm (pulg.)

- Monte el control serie P266 hacia arriba en una superficie vertical con las aletas del disipador de calor orientadas verticalmente y los orificios conductos/eléctricos hacia abajo.
- Asegúrese de que el aire puede fluir a través de las aletas del disipador de calor y deje un espacio de al menos 10 cm (4 pulgadas) alrededor del disipador de calor.
- Monte el control serie P266 en una ubicación alejada de fuentes de calor excesivo y con las condiciones ambientales de funcionamiento especificadas. Consulte [Especificaciones técnicas](#) para obtener información sobre las condiciones ambientales de funcionamiento.

Cableado

Consulte el diagrama de cableado específico del modelo que encontrará en la etiqueta interior del control serie P266 y tenga en cuenta estas instrucciones cuando realice el cableado del control serie P266:



ADVERTENCIA: riesgo de descarga eléctrica.

Desconecte o aisle todas las fuentes de alimentación antes de hacer las conexiones eléctricas. Es posible que se deba realizar más de una desconexión o aislamiento para desactivar completamente el equipo. El contacto con elementos portadores de alto voltaje puede provocar una descarga eléctrica y producir lesiones graves o incluso la muerte.

IMPORTANTE: finalice el cableado y compruebe todas las conexiones del mismo antes de conectar a la corriente el control de velocidad del ventilador serie P266. Los cortocircuitos o la conexión incorrecta de los cables pueden dañar el control serie P266 e invalidar la garantía.

IMPORTANTE: no supere los índices eléctricos del control de velocidad del ventilador serie P266. Si supera los índices eléctricos del control serie P266 puede ocasionar un daño permanente al control serie P266 e invalidar la garantía.

IMPORTANTE: utilice únicamente conductores de cobre. Realice el cableado según las normativas locales, nacionales y regionales.

IMPORTANTE: las descargas electrostáticas pueden dañar los componentes del control P266. Utilice las precauciones adecuadas sobre las descargas electrostáticas (ESD) durante la instalación y el servicio para evitar el daño de los componentes del P266.

- Asegúrese de que todos los cables entre el control serie P266 y el motor del ventilador no superan los 15 m (50 pies).
- Los cables conectados al bloque de terminales de la línea de tensión deben ser de 3,31 mm² (12 AWG) o más pequeños.
- Los cables de bajo voltaje deben medir menos de 30 m (100 pies).

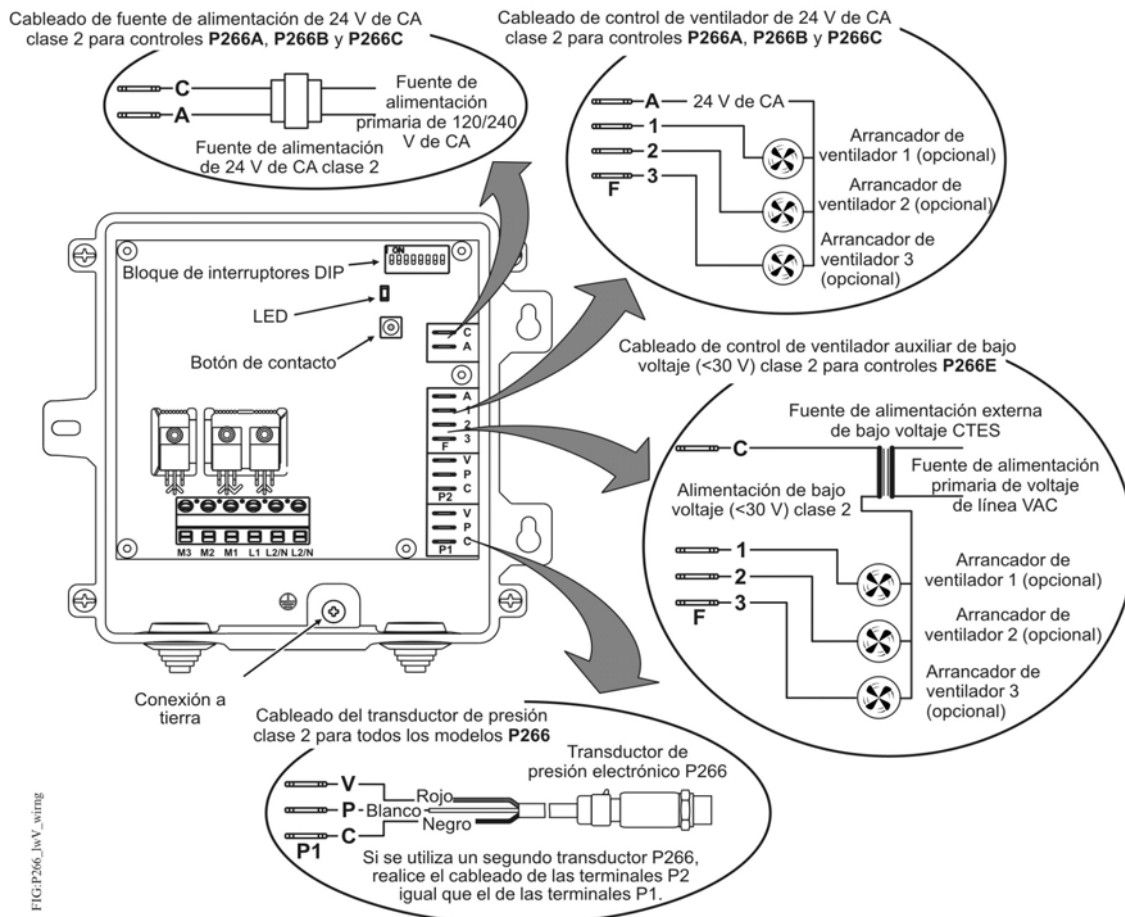


FIG:P266_lw_wiring

Figura 2: Funciones físicas y cableado de bajo voltaje del control serie P266

Cableado de bajo voltaje

En la Figura 2 se muestran las funciones del control serie P266 bajo la cubierta del cuadro y los diagramas de cableado de bajo voltaje de los modelos de control P266A, P266B, P266C y P266E.

Cableado de alto voltaje

En la Figura 3 se muestran los diagramas de cableado de alto voltaje de los modelos de control P266A, P266B y P266C y P266E. En la Figura 4 se muestra el cableado de alto voltaje de los modelos de control tipo P266E.

IMPORTANTE: la terminal L2/N debe estar conectada al voltaje de línea para que un control serie P266 cumpla con FCC y con el límite de emisiones de interferencia de radiofrecuencia IEC Clase B.

Utilice la Tabla 1 para determinar las opciones de cableado de alto voltaje disponibles para los modelos de control tipo P266A, P266B, P266C y P266E.

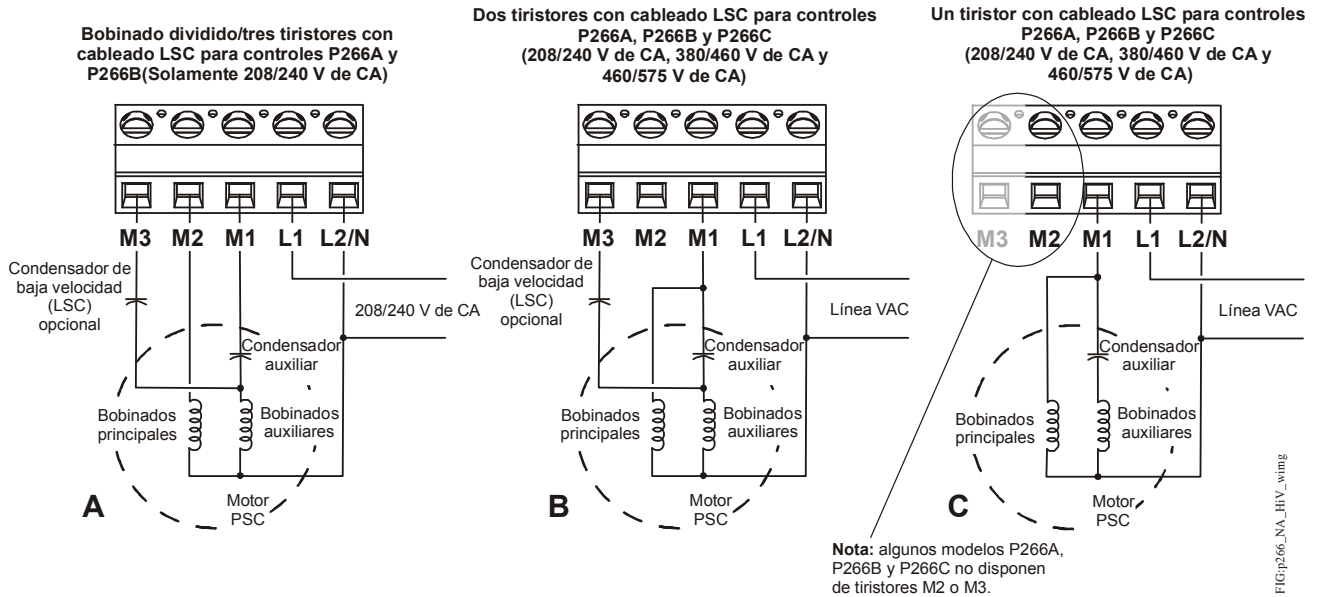


Figura 3: Opciones de cableado de alto voltaje para los controles P266A, P266B y P266C

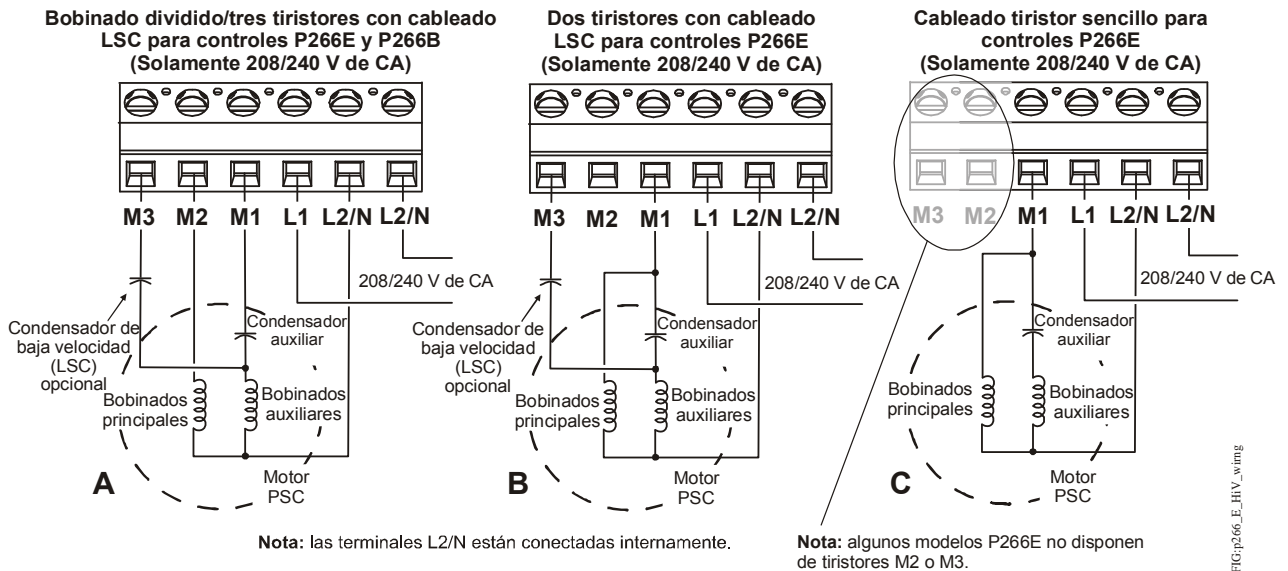


Figura 4: Opciones de cableado de alto voltaje para los controles P266E

Tabla 1: Opciones de cableado de alto voltaje de tipo de producto e intervalos de voltaje

Número de tipo de producto	Bobinado dividido/ tres tiristores con condensador de baja velocidad	Dos tiristores con condensador de baja velocidad			Un tiristor		
		208/240 V de CA	208/240 V de CA	380/460 V de CA	460/575 V de CA	208/240 V de CA	380/460 V de CA
P266AA	Consulte la Figura 3A	Consulte la Figura 3B	--	--	Consulte la Figura 3C	--	--
P266AB	Consulte la Figura 3A	Consulte la Figura 3B	--	--	Consulte la Figura 3C	--	--
P266AC	--	--	--	--	Consulte la Figura 3C	--	--
P266AD	--	--	--	--	Consulte la Figura 3C	--	--
P266BC	--	--	--	--	--	--	Consulte la Figura 3C
P266BD	--	--	--	--	--	--	Consulte la Figura 3C
P266BG	--	--	--	Consulte la Figura 3B	--	--	Consulte la Figura 3C
P266BH	--	--	--	Consulte la Figura 3B	--	--	Consulte la Figura 3C
P266EA	Consulte la Figura 4A	Consulte la Figura 4B	--	--	Consulte la Figura 4C	--	--
P266EB	Consulte la Figura 4A	Consulte la Figura 4B	--	--	Consulte la Figura 4C	--	--
P266EC	--	--	--	--	Consulte la Figura 4C	--	--
P266ED	--	--	--	--	Consulte la Figura 4C	--	--
P266EE	--	--	--	--	Consulte la Figura 4C	--	--
P266EF	--	--	--	--	Consulte la Figura 4C	--	--
P266CH	--	--	Consulte la Figura 3B	--	--	Consulte la Figura 3C	--

Configuración y ajustes

Todos los controles serie P266 se entregan con valores y configuración de modos predeterminados de fábrica. En la mayoría de las aplicaciones, los valores y modos predeterminados no requieren ajuste de campo.

Si la aplicación de su control serie P266 requiere que cambie la configuración de valor o modo, deberá:

1. Calcular los nuevos valores y determinar la nueva configuración de modo necesarios para su aplicación. (Consulte [Valores y modos del control serie P266](#)).
2. Cambiar la configuración existente en el control por los nuevos valores mediante la interfaz de configuración del control serie P266. (Consulte [Configuración de valores y modos](#)).

Interfaz de configuración del control serie P266

La interfaz de configuración del control serie P266 se compone de un bloque de interruptores DIP con ocho interruptores binarios, un botón de contacto de encendido y un diodo emisor de luz (LED) verde (Figura 2). Puede cambiar los valores y modos predeterminados de fábrica reposicionando los interruptores DIP y guardando la nueva configuración. El número de destellos del LED (en secuencia) indica el valor o el modo que se está guardando. Consulte la Tabla 2 para obtener más

información sobre las secuencias de destellos del LED, valores y modos.

Durante el funcionamiento normal, el LED verde está encendido. Cuando se **presiona y se mantiene presionado** el botón de contacto, el LED se apaga durante 3 segundos y después emite dos destellos. El LED vuelve a apagarse durante 3 segundos y emite tres destellos, y continúa este patrón hasta llegar a emitir siete destellos o hasta que se suelte el botón de contacto.

Cada secuencia de destellos indica un valor o un valor y un conjunto de configuraciones de modo. Si se suelta el botón después de la secuencia de destellos deseada, se guarda el valor o los modos que están actualmente configurados en el bloque de interruptores DIP. Consulte la Tabla 2 para obtener más información.

Una vez que ha finalizado la configuración, ponga todos los interruptores DIP en la posición de encendido para bloquear la operación de botón de contacto

Valores y modos del control serie P266

Los controles serie P266 tienen hasta un máximo de diez valores y modos (en seis secuencias de destellos) que se pueden cambiar sobre el terreno. Consulte la Tabla 2 para obtener más información sobre las secuencias de destellos y los valores y modos asociados.

Valor del voltaje de comienzo

El voltaje de comienzo (V de CA) es el voltaje que el control serie P266 suministra al motor del ventilador para que el motor funcione a una velocidad mínima en la aplicación.

El **valor del voltaje de comienzo** es un porcentaje del voltaje de entrada del control serie P266. Utilice la siguiente fórmula para calcular el valor del voltaje de comienzo para su aplicación.

$$\frac{\text{Voltaje de comienzo (V de CA)}}{\text{Voltaje-línea de entrada de control del P266 (V de CA)}} = \text{Valor del voltaje de comienzo (\%)}$$

Modo de baja presión

El modo de baja presión determina si el motor del ventilador está conectado (con el voltaje de comienzo o la velocidad mínima) o desconectado cuando la presión que detecta el sensor del transductor P266 está por debajo del punto de ajuste de la presión de comienzo.

Valor de la presión de comienzo

La presión de comienzo (psi o bar) es el punto de ajuste de la presión en el que el control serie P266 produce el voltaje de comienzo y pone en marcha el ventilador a una velocidad mínima. El **valor de la presión de comienzo** es una función del punto de ajuste de la presión de comienzo y del intervalo de presión del transductor P266 al que se hace referencia. Utilice la siguiente fórmula para calcular el valor de la presión de comienzo. Consulte la Tabla 3 para obtener información sobre los intervalos de presión del transductor P266.

$$\frac{\text{Punto de ajuste de la presión de comienzo (bares o psi)}}{\text{Intervalo de presión del transductor P266 (bares o psi)}} \times 250 = \text{Valor de la presión de comienzo}$$

Valor de la presión de fin

El punto de ajuste de la presión de fin es la presión (psi o bar) en la que el control serie P266 produce el voltaje de fin y pone en marcha el ventilador a una velocidad máxima. El **valor de la presión de fin** es una función del punto de ajuste de la presión de fin y del intervalo de presión total del transductor al que se hace referencia. Utilice la siguiente fórmula para calcular el valor de la presión de fin de su aplicación. Consulte la Tabla 3 para obtener información sobre los intervalos de presión del transductor P266.

$$\frac{\text{Punto de ajuste de la presión de fin (bares o psi)}}{\text{Intervalo de presión del transductor P266 (bares o psi)}} \times 250 = \text{Valor de la presión de fin}$$

Modo de bobinado dividido

Algunos motores PSC monofásico disponen de conductores de cables bobinados de motor dividido. Establecer el modo de bobinado dividido en activado, permite que el tiristor M2 proporcione voltaje a los bobinados principales (y no a los auxiliares), lo que incrementa la eficacia del motor (Figura 3A y Figura 4A).

Nota: el modo de bobinado dividido está disponible para motores PSC monofásico **solamente de 240 V de CA que dispongan de conductores de cables bobinados divididos**. Consulte las instrucciones de instalación del fabricante para determinar si el motor del ventilador se puede cablear para permitir el modo de bobinado dividido.

Modo de compresor Copeland Digital Scroll™

El modo de compresor Digital Scroll permite usar el control serie P266 en un sistema que emplee un compresor espiral digital. No activar el modo de compresión espiral digital al utilizar un compresor espiral digital podría provocar oscilaciones en el ventilador de su condensador.

Modo de voltaje de fin

El voltaje de fin es el voltaje que produce el control serie P266 (como porcentaje del voltaje total) que se mantiene cuando la presión monitorizada es igual o mayor que la presión de fin. El modo de voltaje de fin se puede establecer en el 95 o 97 % del voltaje de entrada total. Consulte la Figura 5.

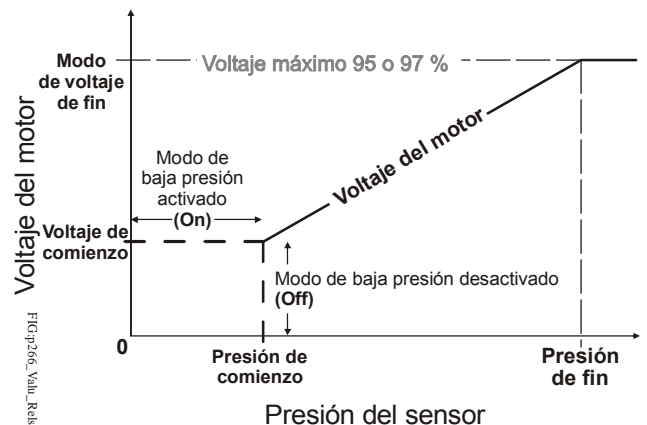


Figura 5: Relación entre las variables del control de velocidad de ventilador P266

Modo de condensador de baja velocidad

En algunas aplicaciones de velocidad de ventilador, un condensador de baja velocidad, provista por el usuario, se puede conectar al tiristor M3 del control serie P266 y al motor del ventilador controlado (Figura 3 y Figura 4). El condensador de baja velocidad se habilita a voltajes bajos para mejorar la eficacia y el rendimiento del motor del ventilador. Active el modo de condensador de baja velocidad cuando use un condensador de baja velocidad.

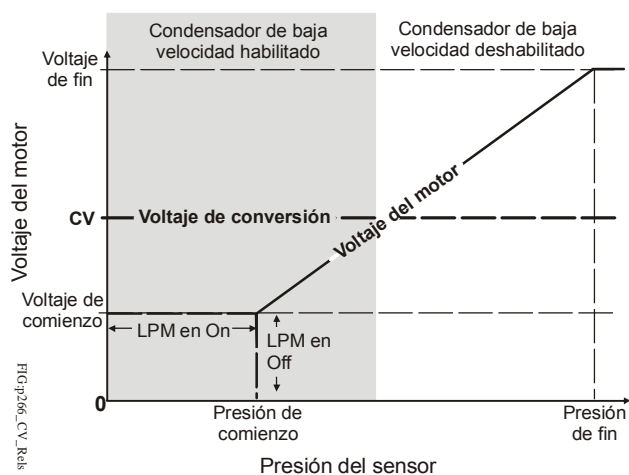


Figura 6: Funcionamiento del condensador de baja velocidad

Nota: el condensador de baja velocidad opcional debe ser igual tanto en el intervalo de voltaje como en el valor de microfaradios que el condensador auxiliar suministrado por el fabricante, pero el condensador no debe superar los 15 microfaradios.

Nota: también debe establecer el valor del voltaje de conversión cuando se utiliza un condensador de baja velocidad en la aplicación del control serie P266. Consulte Valor del voltaje de conversión y Calcular el valor del voltaje de conversión para obtener más información sobre el modo de establecer el valor del voltaje de conversión.

Modo de fase de ventilador auxiliar

Puede establecer el control P266 para que realice un ciclo (conectado/desconectado) de hasta un máximo de tres motores de ventilador o fases de ventilador adicionales (de velocidad fija) en conjunto con el ventilador de velocidad variable controlado por el control serie P266.

Se pueden cablear tres circuitos de bajo voltaje (Figura 2) para controlar los arrancadores del motor/fase del ventilador auxiliar. Consulte la Tabla 2 para obtener más información sobre cómo establecer el número de ventiladores auxiliares utilizados en la aplicación.

En la Figura 7 se muestra una aplicación del control serie P266 con un ventilador auxiliar funcionado junto con un ventilador regulado por velocidad. Cuando la carga del condensador supera la capacidad de salida del ventilador regulado por velocidad, el control serie P266 pone en marcha el ventilador auxiliar y cambia el ventilador regulado por velocidad (P266) a una nueva presión de comienzo.

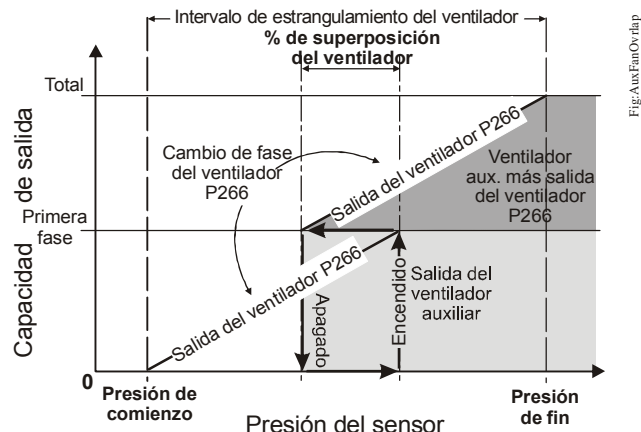


Figura 7: Ventilador regulado por velocidad (P266) funcionando con una fase de ventilador auxiliar (On/Off) en todo el intervalo de presión

Valor de superposición de ventilador auxiliar

El valor de superposición de ventilador auxiliar determina la superposición de intervalo de presión (como un porcentaje del intervalo de presión total [estrangulamiento]) entre las fase de ventilador establecidas en el control serie P266. El valor de superposición de ventilador es el mismo para todas las fases de ventilador auxiliar establecidas en el control.

Si se aumenta el valor de superposición de ventilador, se disminuye el índice de ciclo (On/Off) de los ventiladores auxiliares y se aumenta el diferencial de presión entre las fases del ventilador auxiliar, lo que aumenta el intervalo de presión de cada una de las fases del ventilador auxiliar.

Nota: si el control serie P266 no está configurado para ventiladores auxiliares, el valor de superposición de ventilador auxiliar no se usa. Consulte la Tabla 2 para obtener más información sobre cómo establecer el número de ventiladores auxiliares utilizados en la aplicación.

Valor del voltaje de conversión

El valor del voltaje de conversión determina el voltaje al que el control serie P266 habilita y deshabilita el tiristor M3 y el condensador de baja velocidad (Figura 6). Consulte Calcular el valor del voltaje de conversión.

Configuración de valores y modos

Para cambiar los valores y modos de un control serie P266:

1. Determine los puntos de ajuste de la presión de funcionamiento (psi o bares), las entradas y salidas de voltaje (V de CA) y los demás modos de funcionamiento necesarios para la aplicación del control del motor del ventilador del condensador.
2. Convierta los puntos de ajuste de presión seleccionados (psi o bares) y los objetivos de voltaje (V de CA) en valores del control serie P266. Consulte Valores y modos del control serie P266 y la Tabla 2.
3. Coloque los interruptores DIP para establecer los nuevos valores y/o modos. Consulte Configuración del bloque de interruptores DIP.
4. Presione y mantenga presionado el botón de contacto hasta que el número de destellos del LED indique el valor deseado o la configuración del conjunto de valores y/o modo. Suelte el botón de contacto **después de**:

- **dos destellos** para guardar la configuración del modo de baja presión y del valor del voltaje de comienzo
- **tres destellos** para guardar el valor de la presión de comienzo
- **cuatro destellos** para guardar el valor de la presión de fin
- **cinco destellos** para guardar los valores de bobinado dividido, voltaje de fin, modo de condensador de baja velocidad y modo de fases de ventilador auxiliar
- **seis destellos** para guardar el valor de superposición de ventilador auxiliar
- **siete destellos** para guardar el valor del voltaje de conversión

Nota: consulte la Tabla 2 para obtener más información sobre los valores y modos que están asociados con el número de destellos de LED.

5. Repita los pasos 3 y 4 para el siguiente valor y/o modo que tenga que cambiar.
6. Una vez guardada la configuración de los nuevos valores y modos, establezca todos los interruptores DIP en la posición de encendido para bloquear el funcionamiento del botón de contacto.

Configuración del bloque de interruptores DIP

Para establecer nuevos valores y modos en el bloque de interruptores DIP:

1. Coloque todos los interruptores del bloque de interruptores DIP en la posición de apagado (Off).

2. Coloque los interruptores numerados en la posición de encendido (ON) para que el total de los números de interruptor (en la posición ON) coincida con el valor de configuración deseado. Empiece con el interruptor del número más alto que sea menor que el valor de configuración. (Por ejemplo, si el valor de configuración deseado es 185, coloque primero el interruptor 128 en ON. A continuación, coloque el interruptor 32 en ON, seguido del interruptor 16, del interruptor 8 y del interruptor 1 [$128+32+16+8+1=185$] [Figura 8]).

Para realizar la configuración de modo es necesario que coloque solamente uno o dos interruptores del bloque de interruptores DIP, en función del modo. Consulte la Tabla 2 para obtener más información sobre los valores y modos que están asociados con el número de destellos de LED.

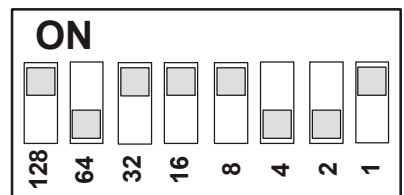


Figura 8: Un bloque de interruptores DIP con los interruptores colocados para un valor de configuración de 185

IMPORTANTE: todos los interruptores del bloque de interruptores DIP deben estar establecidos en las posiciones correctas en la aplicación antes de presionar y soltar el botón de contacto para guardar la configuración de valores y/o modo. Consulte la Tabla 2 para obtener más información sobre la posición de los interruptores.

Modo de prueba de voltaje

El modo de prueba de voltaje es una herramienta de configuración y diagnóstico del firmware del control serie P266 que permite probar el funcionamiento de un motor del ventilador del condensador sobre el terreno y calcular el valor del voltaje de comienzo óptimo para la aplicación del control serie P266.

El modo de prueba de voltaje también permite calcular y establecer el valor del voltaje de conversión óptimo para el tiristor M3 de las aplicaciones del control serie P266 que utilizan un condensador de baja velocidad.

Para utilizar el modo de prueba de voltaje, necesitará:

- un modelo de control serie P266 diseñado para la aplicación del ventilador del condensador
- acceso al condensador y al motor del ventilador, controlados por el control serie P266
- un amperímetro de abrazadera con intervalo de 15 A (para comprobar el consumo de corriente de conversión al determinar el valor del voltaje de conversión)

- una sonda aislada para mantener presionado el botón de contacto y cambiar las posiciones de los interruptores DIP
- una fuente de alimentación de 24 V de CA clase 2 (**solamente** para los modelos del control serie P266 que requieran una fuente de alimentación externa de 24 V de CA)
- un condensador de baja velocidad (LSC), del tamaño adecuado para el motor del ventilador (**solamente** para aplicaciones del control serie P266 que utilicen un condensador de baja velocidad)

Nota: el condensador de baja velocidad debe ser igual tanto en el intervalo de voltaje como en el valor de microfaradios que el condensador auxiliar del fabricante del motor, pero el condensador de baja velocidad no debe superar los 15 microfaradios.

Configuración del modo de prueba de voltaje

Antes de encender un control serie P266 y habilitar el modo de prueba de voltaje del mismo:

1. Lea y siga las directrices y los procedimientos de las secciones *Montaje* y *Cableado*.
2. Monte y realice el cableado en el control serie P266 en la aplicación del condensador y tenga en cuenta estas directrices adicionales:
 - Consulte la etiqueta que encontrará en la parte interior de la cubierta del cuadro del control serie P266 para obtener instrucciones sobre los detalles de cableado específicos del modelo. Consulte *Cableado* para obtener información sobre algunas opciones de cableado.
 - Realice el cableado de los bobinados principales y auxiliares según las instrucciones del fabricante del motor y los requisitos de la aplicación. Divida los bobinados (por los conductores de bobinado) y adminístreles corriente de manera independiente, si la aplicación y el motor permiten el funcionamiento con bobinado dividido. Consulte la Figura 3 y la Figura 4.
 - Si la aplicación utiliza un condensador de baja velocidad, realice el cableado del condensador de baja velocidad en el tiristor M3 y en el motor **únicamente** después de haber comprobado y registrado el consumo de corriente al máximo. Consulte *Calcular el valor del voltaje de conversión*.
 - Si su modelo del control serie P266 requiere una fuente de alimentación externa de 24 V de CA para el funcionamiento del control, realice el cableado que corresponda a dicha fuente de alimentación en el control. (Consulte la etiqueta de cableado que encontrará en la parte interior de la cubierta del control serie P266 para obtener información sobre los requisitos de fuente de alimentación externa).

- **No** tiene que conectar, realizar el cableado ni encender el transductor P266, ni poner una carga en el condensador para que un control serie P266 funcione en el modo de prueba de voltaje. El modo de prueba de voltaje permite utilizar el interruptor DIP para establecer el voltaje que el control serie P266 suministra al motor.

3. Configure el control serie P266 y el motor del ventilador del condensador para el funcionamiento deseado, estableciendo los valores y modos de funcionamiento requeridos para la aplicación del ventilador del condensador. Consulte *Configuración y ajustes* para ver los procedimientos.

Calcular el valor del voltaje de conversión

En el modo de prueba de voltaje puede calcular y establecer el valor del voltaje de conversión para las aplicaciones del control serie P266 que utilizan un condensador de baja velocidad opcional. Para calcular y establecer el valor del voltaje de conversión:

1. Monte, realice el cableado y configure el control serie P266 y el motor del ventilador del condensador para ponerlos en funcionamiento en el modo de prueba de voltaje. Consulte *Configuración del modo de prueba de voltaje*.
- Nota:** no realice el cableado en el condensador de baja velocidad hasta el Paso 6 de este procedimiento.
2. Configure todos los interruptores DIP excepto el interruptor 1 en la posición de encendido (ON); establezca el interruptor 1 en la posición de apagado (OFF).
 3. Aplique voltaje de línea al control serie P266 (y la fuente de alimentación externa de 24 V de CA a los modelos necesarios) y, a continuación, en los siguientes 30 segundos tras aplicar la electricidad, presione y suelte el botón de contacto tres veces. El LED se apaga y permanece apagado, y el motor del ventilador se acelera a la velocidad máxima (a 95 o 97 % del voltaje máximo) y permanece al voltaje máximo durante 5 minutos.
 4. Al voltaje máximo, utilice el amperímetro de abrazadera para comprobar el consumo de corriente (en amperios) del bobinado auxiliar del motor del ventilador y registre el consumo de corriente del bobinado auxiliar del motor al máximo voltaje.
 5. Desconecte la alimentación de voltaje de línea del control serie P266 (y la alimentación de corriente externa de 24 V de CA en los modelos necesarios).
 6. Realice el cableado del condensador de baja velocidad en el tiristor M3 y los bobinados del motor auxiliar. (Consulte la Figura 3 y la Figura 4 para obtener información sobre las opciones de cableado del tiristor M3).

7. Configure todos los interruptores DIP excepto los interruptores 8 y 32 en la posición de apagado (OFF); establezca los interruptores 8 y 32 en la posición de encendido (ON). ($8 + 32 = 40$ % de valor de voltaje máximo.)
8. Aplique voltaje de línea al control serie P266 (y la fuente de alimentación externa de 24 V de CA a los modelos necesarios) y, a continuación, en los siguientes 30 segundos tras aplicar la electricidad, presione y suelte el botón de contacto tres veces. El LED se apaga y permanece apagado, y el motor del ventilador se acelera a una velocidad al 40 % del voltaje máximo (durante 5 minutos).
9. Al 40 % del voltaje máximo, utilice el amperímetro de abrazadera para comprobar el consumo de corriente (en amperios) del bobinado auxiliar del motor del ventilador conectado a ambos conectores y registre el consumo de corriente del bobinado auxiliar del motor al 40 % del voltaje.
10. Repita el Paso 7 pero aumente el porcentaje del valor de voltaje en un 8 %. A continuación, repita el Paso 8, Paso 9 y el Paso 10 con los valores aumentados de voltaje hasta que el consumo de corriente sea igual al (voltaje máximo) consumo de corriente registrado en el Paso 4.

Nota: si el motor se detiene o no funciona suavemente, reduzca el valor del voltaje en un 4 % en los interruptores DIP y pruebe el funcionamiento del motor.
11. El valor del voltaje del interruptor DIP es ahora igual al voltaje más alto del modo de baja velocidad o al valor del voltaje de conversión.
12. Presione y se mantenga presionado el botón de contacto hasta que el LED emita 3 destellos y, a continuación, suelte el botón. El valor del voltaje de conversión se establece y se guarda en el control serie P266.

Nota: si además desea determinar y establecer el valor del voltaje de comienzo del control serie P266 y del motor, puede pasar directamente al Paso 3 del procedimiento Calcular el valor del voltaje de comienzo.
13. Desconecte la corriente del control serie P266 y establezca todos los interruptores DIP en la posición de encendido para bloquear el funcionamiento del botón de contacto.
14. Vuelva a conectar a la corriente el control serie P266 para reanudar la velocidad normal del motor.

Calcular el valor del voltaje de comienzo

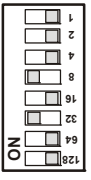

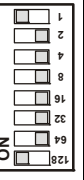

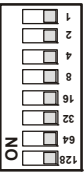
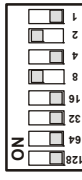
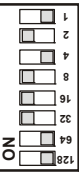
En el modo de prueba de voltaje también se puede calcular y establecer el valor del voltaje de comienzo para la aplicación del control serie P266.

Para calcular y establecer el valor del voltaje de comienzo:

1. Monte, realice el cableado y configure el control serie P266 y el motor del ventilador del condensador para ponerlos en funcionamiento en el modo de prueba de voltaje. Consulte Configuración del modo de prueba de voltaje.

Nota: si la aplicación utiliza el modo de bobinado dividido y el modo de condensador de baja velocidad, realice el cableado del bobinado dividido y del condensador de baja velocidad según los requisitos de la aplicación (Figura 3A y Figura 4A).
2. Aplique voltaje de línea al control serie P266 (y la fuente de alimentación externa de 24 V de CA a los modelos necesarios) y, a continuación, en los siguientes 30 segundos tras aplicar la electricidad, presione y suelte el botón de contacto tres veces. El LED se apaga y permanece apagado.
3. Coloque los interruptores DIP de modo que el valor total de los interruptores en ON sea igual a un valor de porcentaje igual o ligeramente superior al valor del voltaje de comienzo estimado. (Por ejemplo, si estima que el voltaje de comienzo del motor sea del 25 % del voltaje total, coloque los interruptores 16, 8, 4 y 2 en ON. $16 + 8 + 4 + 2 = 30$ %, que es ligeramente superior a la estimación del 25 %). El motor del ventilador se acelera a una velocidad al 30 % del voltaje máximo y permanece a dicha velocidad.
4. Observe el funcionamiento del motor del ventilador y determine si el voltaje de comienzo aplicado pone en marcha el motor a la velocidad de comienzo deseada:
 - Si la velocidad de comienzo y el funcionamiento del motor cumplen los requisitos de la aplicación, vaya al Paso 5.
 - Si la velocidad de comienzo o el funcionamiento no cumplen los requisitos de la aplicación, vuelva al Paso 3 y establezca un nuevo valor de voltaje de comienzo para producir la velocidad del motor deseada.
5. Cuando el motor esté en marcha a la velocidad de comienzo deseada (valor de la velocidad de comienzo), presione y mantenga presionado el botón hasta que el LED emita 2 destellos consecutivos y, a continuación, suelte el botón de contacto. El valor del voltaje de comienzo se establece y se guarda en el control serie P266.
6. Desconecte la corriente del control serie P266 y establezca todos los interruptores DIP en la posición de encendido (ON) para bloquear el funcionamiento del botón de contacto.
7. Vuelva a conectar a la corriente el control serie P266 para reanudar la velocidad normal del motor.

Tabla 2: Secuencias de destellos de LED, valores de configuración, configuración de modos en el bloque de interruptores DIP y ejemplo de valores predeterminados y de configuración de modos

Suelta el botón de contacto después de...	Nombre de valor/modo (número de interruptor binario)	Configuración de intervalo de valor/modo (Ejemplo de configuración predeterminada)	Número y posición de interruptor Descripción del valor/configuración	Bloque de interruptores DIP Ejemplo de configuración predeterminada
Dos destellos	Modo de baja velocidad (Interruptor 128)	Configuración: ON u Off (Configuración predeterminada: Off)	Interruptor 128 Off = no hay voltaje en el motor cuando la presión que detecta el sensor está por debajo de la presión de comienzo. Interruptor 128 ON = voltaje de comienzo al motor cuando la presión que detecta el sensor es igual o menor que la presión de comienzo.	
	Valor del voltaje de comienzo (Interruptores del 1 al 64)	Intervalo de valor: de 10 a 90 (Valor predeterminado: 40)	Coloque los interruptores del 1 al 64 en ON u Off de manera que la suma de los interruptores establecidos en ON sea igual al valor del voltaje de comienzo.	
Tres destellos	Valor de la presión de comienzo (Interruptores del 1 al 128)	Intervalo de valor: de 10 a 230 (Valor predeterminado: 110)	Coloque los interruptores del 1 al 128 en ON u Off de manera que la suma de los interruptores establecidos en ON sea igual al valor de la presión de comienzo.	
	Valor de la presión de fin (Interruptores del 1 al 128)	Intervalo de valor: [Presión de comienzo + 8] hasta 240 (Valor predeterminado: 129)	Coloque los interruptores del 1 al 128 en ON u Off de manera que la suma de los interruptores establecidos en ON sea igual al valor de la presión de fin.	
Cinco destellos (Interruptores 64 y 128 establecidos en Off)	Modo de bobinado dividido (Interruptor 32)	Configuración: ON u Off (Configuración predeterminada: Off)	Interruptor 32 en ON = Tiristor M2 habilitado para suministrar alimentación al bobinado dividido. Interruptor 32 en Off = Tiristor M2 deshabilitado.	
	Modo de voltaje de fin (Interruptor 16)	Configuración: ON u Off (Configuración predeterminada: Off)	Interruptor 16 en ON = proporciona el 95 % del voltaje de entrada del P266 al motor. Interruptor 16 en Off = proporciona el 97 % del voltaje de entrada del P266 al motor.	
	Algoritmo de compresor espiral digital (Interruptor 8)	Configuración: ON u Off (Configuración predeterminada: Off)	Interruptor 8 en ON = algoritmo de compresor espiral digital habilitado. Interruptor 8 en Off = algoritmo de compresor espiral digital deshabilitado.	
	Modo de condensador de baja velocidad (Interruptor 4)	Configuración: ON u Off (Configuración predeterminada: Off)	Interruptor 4 en ON = el condensador de baja velocidad está disponible. Interruptor 4 en Off = el condensador de baja velocidad no está disponible.	
	Número de fases de ventilador auxiliar (Interruptores 1 y 2)	Configuración: ON u Off (Configuración predeterminada: Off - Off)	Coloque los interruptores 1 y 2 en Off si no hay ventiladores auxiliares. Coloque los interruptores 1 en On y 2 en Off para el ventilador auxiliar 1. Coloque los interruptores 1 en Off y 2 en On para los ventiladores auxiliares 1 y 2. Coloque los interruptores 1 y 2 en On para los ventiladores auxiliares 1, 2 y 3.	
Seis destellos (Interruptor 128 en Off)	Superposición de ventilador auxiliar (Interruptores del 1 al 64)	Intervalo de valor: de 1 a 90 (Valor predeterminado: 10)	Coloque los interruptores del 1 al 64 en ON u Off de manera que la suma de los interruptores establecidos en ON sea igual al valor de superposición de ventilador auxiliar.	
	Valor del voltaje de conversión (Interruptores del 1 al 64)	Intervalo de valor: de 10 a 80 (Valor predeterminado: 60)	Coloque los interruptores del 1 al 64 en ON u Off de manera que la suma de los interruptores establecidos en ON sea igual al valor del voltaje de conversión.	

Transductores de presión electrónicos P266

Los controles serie P266 están diseñados para hacer referencia a uno o dos transductores de presión electrónicos P266 de Johnson Controls para supervisar la presión del condensador.

Los transductores P266 son versiones especializadas de los transductores de presión electrónicos de la serie P499 diseñados para su uso con los controles serie P266. Consulte la Tabla 3 para obtener información sobre los modelos de transductor P266 disponibles.

Nota: en las aplicaciones del control serie P266 que utilizan dos transductores P266, el control serie P266 siempre hace referencia al transductor cuyo sensor soporta la mayor presión.

IMPORTANTE: cuando dos transductores P266 se conectan a un control serie P266, los transductores tienen que ser del mismo modelo (número de código de producto). Un fallo al conectar los mismos modelos de transductor P266 al control serie P266 puede dar como resultado un comportamiento del control imprevisible.

Consulte el *Boletín técnico del producto de los transductores de presión electrónicos de la serie P499 (LIT-12011190)* para obtener más información sobre cómo instalar transductores P266.

Tabla 3: Transductores de presión electrónicos P266SNR

Número de código de producto	Descripción
P266SNR-1C	Transductor de presión electrónico: Intervalo total de 0 a 35 bares (de 0 a 508 psi) con una conexión abocinada hembra SAE de 1/4 pulgadas y un cable de 2 metros (3,1 pies).
P266SNR-2C	Transductor de presión electrónico: Intervalo total de 0 a 52 bares (de 0 a 754 psi) con una conexión abocinada hembra SAE de 1/4 pulgadas y un cable de 2 metros (3,1 pies).

Especificaciones técnicas

Control de velocidad del ventilador del condensador monofásico P266xxx-x

Fuente de alimentación de entrada	208/240 V de CA 50/60 Hz, 380/460 V de CA 50/60 Hz o 480/575 V de CA 50/60 Hz en función del modelo (consulte la etiqueta que encontrará en la parte interior de la cubierta del cuadro del control P266 para ver el intervalo del voltaje nominal y el diagrama del cableado específico del modelo).
Fuente de alimentación de bajo voltaje	Tipos P266A, P266B y P266C: transformador de alimentación de 24 V de CA clase 2 externo, 20 VA Tipos P266Exx: la alimentación de bajo voltaje para el control P266 la proporciona un transformador incorporado. Nota: cuando se conecten al control P266E arrancadores de ventilador auxiliar, debe proporcionar una fuente de alimentación externa de voltaje de seguridad extra bajo (Safety Extra Low Voltage, SELV) para poner en marcha los arrancadores del ventilador (Figura 2).
Condiciones ambientales de funcionamiento	Temperatura: de -40 a 60 °C (de -40 a 140 °F) Humedad: hasta un máximo del 95 % de RH sin condensación; punto de rocío máximo a 29 °C (85 °F)
Condiciones ambientales de envío y almacenamiento	Temperatura: de -40 a 85 °C (de -40 to 185 °F) Humedad: hasta un máximo del 95 % de RH sin condensación; punto de rocío máximo a 29 °C (85 °F)
Conexiones de bajo voltaje	Terminales de conexión rápida de 1/4 pulgadas, 30 m (100 pies) de cableado máximo de conexión eléctrica
Transductor de entrada	Transductor de presión P266SNR-x: 5 V de CC para señal analógica de relación métrica de 0,5 a 4,5 V de CC
Tipo de contenedor	NEMA 3R, IP54
Construcción del mostrador	Aluminio fundido por troquelado
Construcción de la tapa	Polycarbonato estabilizado UV

Control de velocidad del ventilador del condensador monofásico P266xxx-x

Dimensiones (An x Al x Pr)	159 x 177 x 70 mm (6-1/4 x 7 x 2-3/4 pulgadas)
Peso	Peso del modelo más pesado: 1,0 kg (2,2 libras) Peso aproximado del envío: 1,2 kg (2,6 libras)
Conforme a	Europa: marca: conforme con CE; CENELEC EN 60947-1 & 4-2; Directiva RoHS (2002/95/EC); Directiva WEEE (2002/96/EC) Norteamérica: cULus File 244421; Conforme con FCC para CFR 47, Parte 15, Subparte B, Clase B Conforme con IC (Industry Canada), con la norma ICES-003 de Canadá, límites de la clase B Australia: conforme con C-Tick (N1813)

Las especificaciones de rendimiento son nominales y conformes a los estándares aceptables del sector. Si se va a utilizar en unas condiciones que no estén dentro de estas especificaciones, consulte con el departamento de ingeniería de aplicación de Johnson Controls en el número (414) 524-5535. Johnson Controls, Inc. no se hará responsable de los daños que sean consecuencia de un manejo incorrecto de la aplicación o un mal uso de sus productos.

Conformidad con las normas industriales de Estados Unidos (FCC)

Este equipo se ha probado y se ha demostrado que cumple los límites para un dispositivo digital de Clase B, según la Parte 15 de las normas FCC. Dichos límites están concebidos para proporcionar protección razonable frente a interferencias perjudiciales en instalaciones domiciliarias. Este equipo genera, utiliza y puede emitir energía de radiofrecuencia, de modo que si no se instala y usa de acuerdo con las instrucciones del fabricante, puede provocar interferencias perjudiciales con las comunicaciones de radio. No obstante, no puede garantizarse que no se produzcan interferencias en determinadas instalaciones. Si este equipo ocasionara interferencias perjudiciales a la recepción de radio o televisión, lo cual puede comprobarse apagando y encendiendo el equipo, se recomienda al usuario que intente eliminar dicha interferencia aplicando una o varias de las medidas siguientes:

- Cambie la orientación o la ubicación de la antena receptora.
- Aumente la distancia entre el equipo y el receptor.
- Conecte el equipo a la toma de un circuito distinto del que utiliza para el receptor.
- Solicite ayuda al distribuidor o a un técnico de radio y televisión experimentado.

Conformidad con las normas industriales de Canadá

Este aparato digital de Clase B cumple todos los requisitos exigidos por la normativa -de Canadá sobre equipos que provocan interferencias.



Building Efficiency

507 E. Michigan Street, Milwaukee, WI 53202,

Johnson Controls/PENN® son marcas comerciales registradas de Johnson Controls, Inc.
El resto de marcas mencionadas son propiedad de sus respectivos propietarios. © 2010 Johnson Controls, Inc.

1-fase P266-snelheidbesturing voor condensorventilator

Installatie-instructies

P266xxx-x

Artikelnr. 24-7664-2705, Rev. D

Uitgiftedatum 27 augustus 2010

Vervangt 8 april 2010

Toepassing

BELANGRIJK: Gebruik deze 1-fase P266-snelheidsbesturing voor condensorventilatoren alleen voor bediening. Waar storing of defecten van de P266-ventilatorbesturing tot persoonlijk letsel of schade aan de bestuurd apparatuur of ander eigendom zou kunnen leiden, moeten er aanvullende voorzorgsmaatregelen in het regelsysteem worden geïntegreerd. Integreer en onderhoud andere apparaten zoals toezichts- of alarmsystemen of veiligheids- of begrenzingsregelingen die bedoeld zijn ter alarmering bij of bescherming tegen storing of defecten van de P266-ventilatorbesturing.



WAARSCHUWING: Risico op beschadiging van eigendommen

Gebruik alleen 1-fase PSC-motoren (Permanent Split Capacitor) motoren die door de fabrikant zijn goedgekeurd voor toepassingen waarin de snelheid wordt geregeld met de P266-besturing. Als er geen 1-fase PSC-motor wordt gebruikt, kunnen de motor en andere eigendommen beschadigd raken.

De 1-fase P266-snelheidbesturing voor condensorventilatoren is een rendabele, compacte, weerbestendige en duurzame snelheidbesturing voor 1-fase PSC-motoren die wordt gebruikt in een groot aantal verschillende toepassingen met condensoren voor koeling en airconditioning.

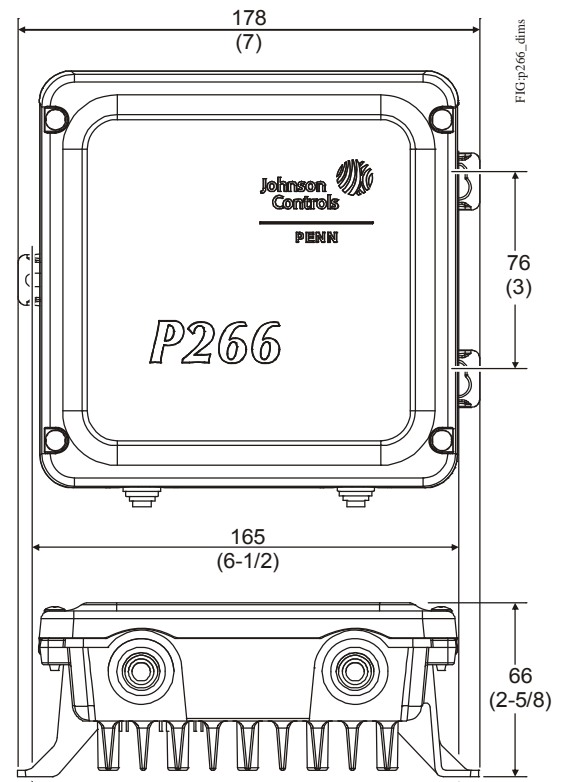
De P266-ventilatorbesturingen zijn ontworpen ter vervanging van de ventilatorbesturingen uit de P66-serie en de P215-serie van Johnson Controls®, beschikken over extra functies en zijn flexibel toepasbaar.

Montage

Aandachtspunten bij plaatsing

Houd u aan de volgende richtlijnen bij het plaatsen en monteren van een P266-ventilatorbesturing:

- Let erop dat het bevestigingsvlak en de bevestigingshardware de besturing en de bedrading kunnen ondersteunen.



Figuur 1: 1-fase P266-condensor Afmetingen voor montage van de ventilatorbesturing (in mm)

- Monteer de P266-besturing rechtop op een verticaal oppervlak waarbij u de koelribben verticaal en de gaten voor de leidingen/elektriciteit omlaag plaatst.
- Zorg dat er lucht langs de koelribben kan stromen en laat minimaal 10 cm ruimte vrij rondom de warmteopnemer.
- Monteer de P266-besturing uit de buurt van extreme hittebronnen en binnen de opgegeven gebruikscondities. Zie Technische specificaties voor gebruikscondities.

Bedrading

Raadpleeg het specifieke bedradingsschema op het label aan de binnenkant van de behuizing van de P266-besturing en houd u aan de volgende richtlijnen bij het aansluiten van de P266-besturing:



WAARSCHUWING: Risico op elektrische schokken.

Ontkoppel of isoleer alle stroombronnen voordat u elektrische aansluitingen tot stand brengt. Er kan meer dan één ont koppeling of isolering nodig zijn om de apparatuur volledig energievrij te maken. Contact met onderdelen met een gevaarlijke spanning kan elektrische schokken veroorzaken en ernstig persoonlijk letsel of de dood tot gevolg hebben.

BELANGRIJK: Schakel de stroom naar de P266-besturing niet in voordat u alle bedrading hebt aangesloten en alle aansluitingen hebt gecontroleerd. Door kortsluiting of verkeerd aangesloten bedrading kan schade aan de P266-besturing ontstaan en de garantie vervallen.

BELANGRIJK: Blijf binnen de nominale elektrische waarden van de P266-ventilatorbesturing. Als de elektrische waarden van de P266-besturing worden overschreden, kan permanente schade aan de P266-besturing ontstaan en de garantie vervallen.

BELANGRIJK: Gebruik alleen 60/75 C koperen geleiders. Sluit alle bedradingen aan conform plaatselijke, landelijke en regionale voorschriften.

BELANGRIJK: Door elektrostatische ontlading kunnen onderdelen van de P266-besturing beschadigd raken. Neem tijdens de installatie en het onderhoud van de P266 geschikte voorzorgmaatregelen tegen elektrostatische ontlading om schade aan onderdelen van de P266 te voorkomen.

- Zorg ervoor dat de draden tussen de P266-besturing en de ventilatormotor niet langer zijn dan 15 m.
- Draden die op het aansluitblok voor lijnspanning zijn aangesloten, moeten 3,31 mm² (12 AWG) of kleiner zijn.
- Laagspanningsdraden moeten korter zijn dan 30 m.

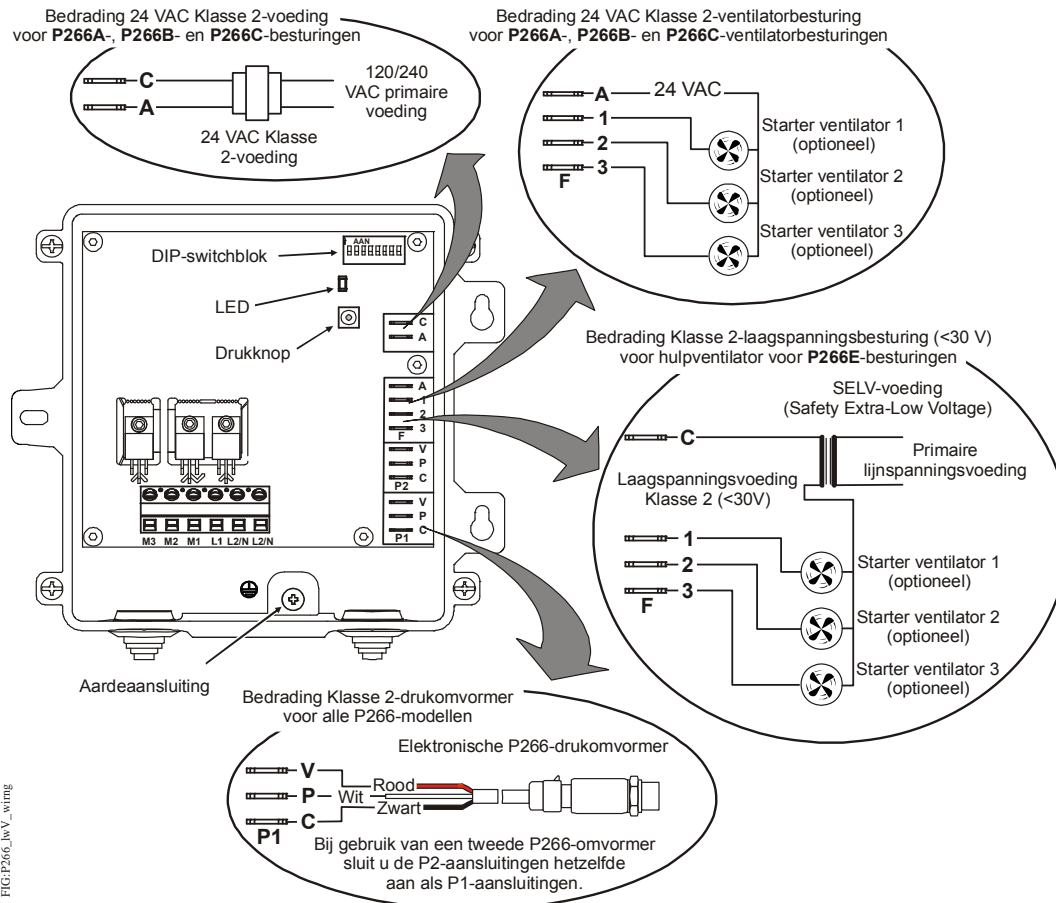


FIG: P266_jwV_wiring

Figuur 2: Fysieke onderdelen en laagspanningsbedrading van de P266-besturing

Laagspanningsbedrading

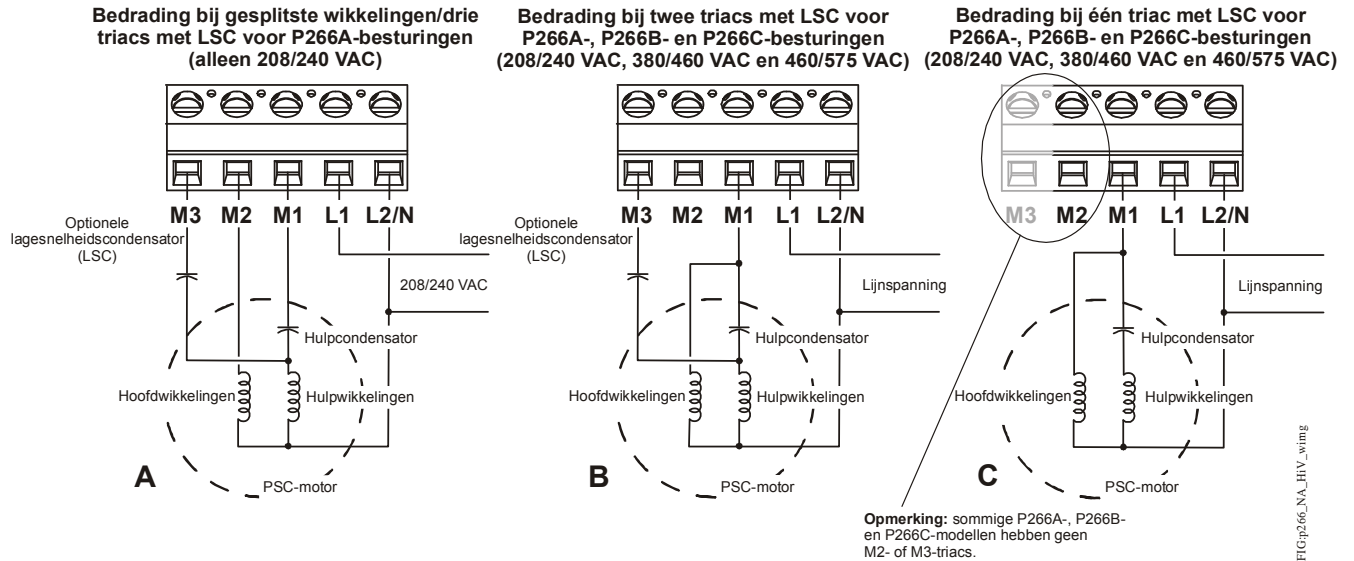
In Figuur 2 ziet u de onderdelen van de P266-besturing binnen de behuizing en de laagspanningsbedradingsschema's voor besturingen van het type P266A, P266B, P266C en P266E.

Hoogspanningsbedrading

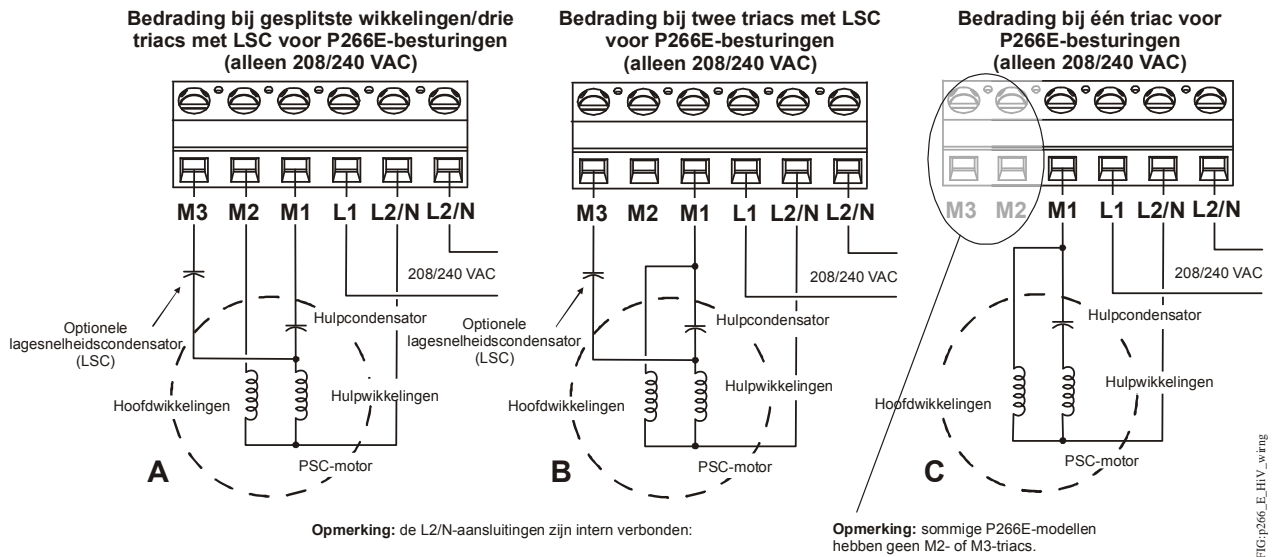
In Figuur 3 ziet u de hoogspanningsbedradingsschema's voor besturingen van het type P266A, P266B en P266C. In Figuur 4 ziet u de hoogspanningsbedradingsschema's voor besturingen van het type P266E.

BELANGRIJK: De L2/N-aansluiting moet op de lijnspanning zijn aangesloten zodat de P266-besturing voldoet aan de limieten van de FCC en IEC Class B voor emissie van radiofrequentie-interferentie.

Gebruik Tabel 1 om te bepalen welke hoogspanningsbedradingsopties beschikbaar zijn voor besturingen van het type P266A, P266B, P266C en P266E.



Figuur 3: Hoogspanningsbedradingsopties voor besturingen van het type P266A, P266B en P266C



Figuur 4: Hoogspanningsbedradingsopties voor besturingen van het type P266E

Tabel 1: Hoogspanningsbedradingsopties en spanningsbereiken per producttype

Product-type	Gesplitste wikkelingen/drie triacs met lagesnelheidscondensator	Bedrading bij twee triacs met lagesnelheidscondensator			Eén triac		
		208/240 VAC	208/240 VAC	380/460 VAC	460/575 VAC	208/240 VAC	380/460 VAC
P266AA	Zie Figuur 3A	Zie Figuur 3B	--	--	Zie Figuur 3C	--	--
P266AB	Zie Figuur 3A	Zie Figuur 3B	--	--	Zie Figuur 3C	--	--
P266AC	--	--	--	--	Zie Figuur 3C	--	--
P266AD	--	--	--	--	Zie Figuur 3C	--	--
P266BC	--	--	--	--	--	--	Zie Figuur 3C
P266BD	--	--	--	--	--	--	Zie Figuur 3C
P266BG	--	--	--	Zie Figuur 3B	--	--	Zie Figuur 3C
P266BH	--	--	--	Zie Figuur 3B	--	--	Zie Figuur 3C
P266EA	Zie Figuur 4A	Zie Figuur 4B	--	--	Zie Figuur 4C	--	--
P266EB	Zie Figuur 4A	Zie Figuur 4B	--	--	Zie Figuur 4C	--	--
P266EC	--	--	--	--	Zie Figuur 4C	--	--
P266ED	--	--	--	--	Zie Figuur 4C	--	--
P266EE	--	--	--	--	Zie Figuur 4C	--	--
P266EF	--	--	--	--	Zie Figuur 4C	--	--
P266CH	--	--	Zie Figuur 3B	--	--	Zie Figuur 3C	--

Installatie en afstelling

Alle P266-besturingen worden geleverd met in de fabriek ingestelde standaardwaarden en modusinstellingen. In de meeste toepassingen hoeven deze standaardwaarden en modusinstellingen niet te worden aangepast.

Als u voor uw toepassing van de P266-besturing waarden of modusinstellingen moet wijzigen, moet u:

1. De nieuwe waarden berekenen en de nieuwe modusinstellingen bepalen voor uw toepassing. (Zie *Waarden en modi van P266-besturing*.)
2. De bestaande instellingen van de besturing vervangen door nieuwe waarden en modi via de instellingsinterface van de P266-besturing. (Zie *Waarden en modi instellen*.)

Instellingsinterface van P266-besturing

De instellingsinterface van de P266-besturing bestaat uit een DIP-switchblok met acht binaire switches, een drukknop en een groene LED (Figuur 2). U kunt de fabrieksinstellingen wijzigen door de DIP-switches te verplaatsen en de nieuwe instellingen op te slaan. Het aantal keren dat de LED (achtereenvolgens) knippert, geeft aan welke waarde en/of modus u opslaat. Zie Tabel 2 voor meer informatie over waarden, modi en knipperreeksen van de LED.

Onder normale omstandigheden brandt de groene LED. Wanneer u de drukknop **ingedrukt houdt**, gaat de LED drie seconden uit en knippert daarna twee keer. De LED gaat daarna opnieuw drie seconden uit en knippert daarna drie keer. Dit patroon wordt voorgezet totdat de LED zeven keer knippert of totdat u de knop loslaat.

Elke knipperreeks geeft een waarde aan of een waarde en een set modusinstellingen. Als u de drukknop loslaat na de gewenste knipperreeks, wordt de waarde en/of de modus opgeslagen die op dat moment is ingesteld op het DIP-switchblok. Zie Tabel 2 voor meer informatie.

Nadat u de installatie hebt voltooid, stelt u alle DIP-switches op AAN om de werking van de drukknop uit te sluiten.

Waarden en modi van P266-besturing

P266-besturingen hebben maximaal tien waarden en modi (in zes knipperreeksen) die kunnen worden gewijzigd. Zie Tabel 2 voor meer informatie over knipperreeksen en de bijbehorende waarden en modi.

Beginspanningswaarde

De beginspanning (VAC) is de spanning die de P266-besturing aan de ventilatormotor levert om de motor op minimale snelheid te laten draaien in uw toepassing.

De **beginspanningswaarde** is een percentage van de ingangsspanning van de P266-besturing. Gebruik de volgende formule om de beginspanningswaarde voor uw toepassing te berekenen.

$$\frac{\text{Beginspanning (VAC)}}{\text{Ingangsspanning (VAC) P266-besturing}} = \text{Beginspanningswaarde (\%)}$$

Lagedrukmodus

De lagedrukmodus bepaalt of de ventilatormotor wordt ingeschakeld (bij beginspanning/minimale snelheid) of uitgeschakeld wanneer de gemeten druk bij de P266-omvormer lager is dan de begindrukinstelling.

Begindrukwaarde

De begindruk (psi of bar) is de drukinstelling waarbij de P266-besturing de beginspanning levert en de ventilatormotor op minimale snelheid draait. De **begindrukwaarde** is een functie van de begindrukinstelling en het drukbereik van de betreffende P266-omvormer. Gebruik de volgende formule om de begindrukwaarde te berekenen. Zie Tabel 3 voor drukbereiken van de P266-omvormer.

$$\frac{\text{Begindrukinstelling (bar of psi)}}{\text{Drukbereik (bar of psi) van P266-omvormer}} \times 250 = \text{Begindrukwaarde}$$

Einddrukwaarde

De einddrukinstelling is de druk (bar of psi) waarbij de P266-besturing de eindspanning levert en de ventilatormotor op maximale snelheid draait. De **einddrukwaarde** is een functie van de einddrukinstelling en het totale drukbereik van de betreffende omvormer. Gebruik de volgende formule om de einddrukwaarde van uw toepassing te bepalen. Zie Tabel 3 voor drukbereiken van de P266-omvormer.

$$\frac{\text{Einddrukinstelling (bar of psi)}}{\text{Drukbereik (bar of psi) van P266-omvormer}} \times 250 = \text{Einddrukwaarde}$$

Modus voor gesplitste wikkelingen

Sommige 1-fase PSC-motoren hebben gesplitste motorwikkeldraden. Als de modus voor gesplitste wikkelingen is ingeschakeld, kan de M2-triac spanning leveren aan de hoofdwikkelingen (en niet aan de hulpwikkelingen), waardoor de motor efficiënter werkt (Figuur 3A en Figuur 4A).

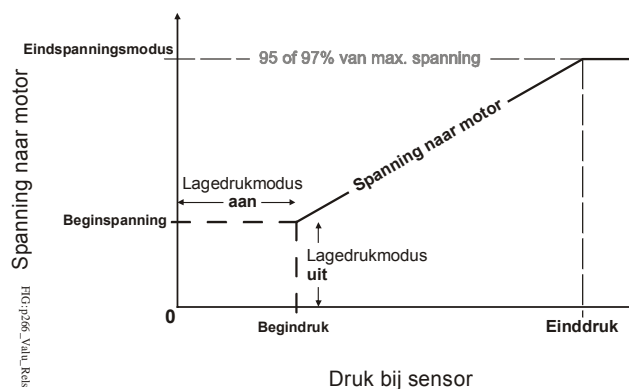
Opmerking: De modus voor gesplitste wikkelingen is **alleen beschikbaar voor 240 VAC 1-fase PSC-motoren met gesplitste wikkeldraden**. Raadpleeg de installatie-instructies van de fabrikant van de motor om te bepalen of uw ventilatormotor kan worden bedraad om de modus voor gesplitste wikkelingen in te schakelen.

Copeland Digital Scroll™-compressormodus

In deze modus kunt u de P266-besturing gebruiken in een systeem waarin een digitale scrollcompressor wordt gebruikt. Als deze modus niet wordt ingeschakeld bij het gebruik van een digitale scrollcompressor, kan de condensorventilator gaan oscilleren.

Eindspanningsmodus

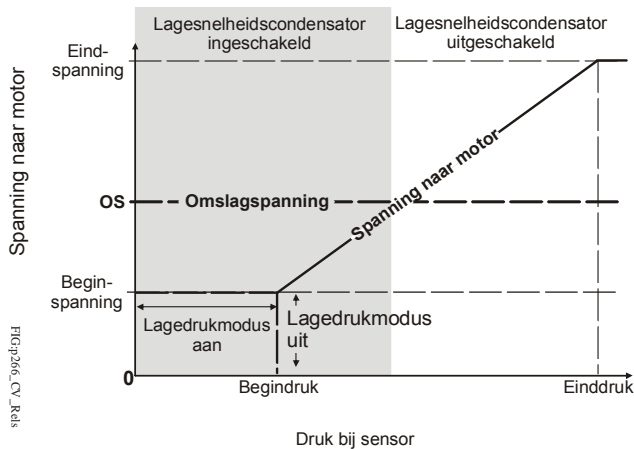
De eindspanning is de uitgangsspanning van de P266-besturing (als een percentage van de volledige spanning) die wordt gehandhaafd wanneer de gemeten druk gelijk aan of groter is dan de einddruk. De eindspanningsmodus kan worden ingesteld op 95% of 97% van de totale ingangsspanning. Zie Figuur 5.



Figuur 5: Relatie tussen variabelen van P266-ventilatorbesturing

LSC-modus

In sommige toepassingen kan een (door de gebruiker geleverde) lagesnelheidscondensator (LSC) worden aangesloten op de M3-triac van de P266-besturing en de bestuurd ventilatormotor (Figuur 3 en Figuur 4). De lagesnelheidscondensator wordt bij lage spanningen ingeschakeld om de efficiency en de prestaties van de ventilatormotor te verbeteren. Schakel de LSC-modus in wanneer een lagesnelheidscondensator wordt gebruikt.



Figuur 6: Werking van lagesnelheidscondensator

Opmerking: Het spanningsbereik en de microfaradwaarde van de optionele lagesnelheidscondensator en van de hulpcondensator die de fabrikant heeft geleverd, moeten gelijk zijn, maar de waarde van de condensator mag niet hoger zijn dan 15 microfarad.

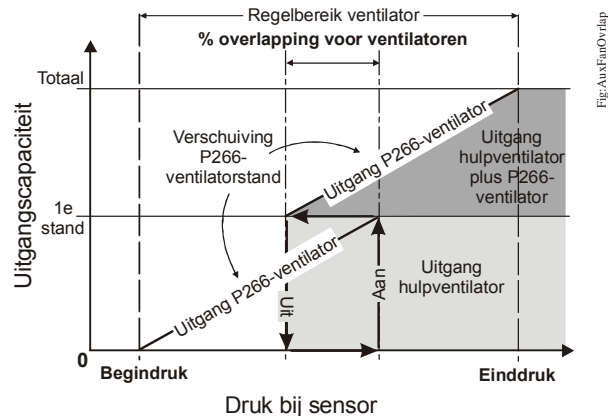
Opmerking: U moet ook de waarde van de omslagspanningswaarde instellen wanneer er een lagesnelheidscondensator wordt gebruikt in uw toepassing met de P266-besturing. Zie Omslagspanningswaarde en De omslagspanningswaarde bepalen voor meer informatie over het instellen van de omslagspanningswaarde.

Modus voor hulpventilatorstanden

U kunt de P266-besturing instellen voor de besturing (aan/uit) van maximaal drie extra ventilatormotoren (met vaste snelheid) of ventilatorstanden in combinatie met de ventilator met variabele snelheid die door de P266-besturing wordt bestuurd.

Er kunnen drie laagspanningscircuits (Figuur 2) worden bedraad voor de besturing van de starters voor de hulpventilator motoren/-standen. Zie Tabel 2 voor informatie over het instellen van het aantal hulpventilatoren dat in uw toepassing wordt gebruikt.

In Figuur 7 ziet u een P266-besturing in een toepassing met één hulpventilator in combinatie met de ventilator waarvan de snelheid wordt bestuurd. Wanneer de belasting van de condensator de uitgangscapaciteit van de bestuurd ventilator overschrijdt, schakelt de P266-besturing de hulpventilator in en verandert de beginndruk van de ventilator met de P266-besturing.



Figuur 7: Ventilator met P266-besturing met één hulpventilatorstand (aan/uit) voor het volledige drukbereik

Overlappingswaarde voor hulpventilatoren

De overlappingswaarde voor hulpventilatoren bepaalt het overlappende drukbereik (als een percentage van het totale drukbereik) tussen de ventilatorstanden die zijn ingesteld op de P266-besturing. De overlappingswaarde is gelijk voor alle hulpventilatorstanden die op de besturing zijn ingesteld.

Als de overlappingswaarde wordt verhoogd, wordt de (aan/uit) frequentie van de hulpventilatoren lager en wordt het drukverschil tussen de hulpventilatorstanden groter (waardoor het drukbereik van elke hulpventilatorstand groter wordt).

Opmerking: Als de P266-besturing is ingesteld voor gebruik zonder hulpventilatoren, wordt de overlappingswaarde voor hulpventilatoren niet gebruikt. Zie Tabel 2 voor informatie over het instellen van het aantal hulpventilatoren dat in uw toepassing wordt gebruikt.

Omslagspanningswaarde

De omslagspanningswaarde bepaalt bij welke spanning de P266-besturing de M3-triac en de lagesnelheidscondensator in- en uitschakelt (Figuur 6). Zie De omslagspanningswaarde bepalen.

Waarden en modi instellen

Ga als volgt te werk om de instellingen en waarden op een P266-besturing te wijzigen:

1. Bepaal de drukinstellingen (psi of bar), de in- en uitgangsspanningen (VAC) en andere instellingen die zijn vereist voor uw toepassing met een bestuurd condensorventilatormotor.
2. Converteer de geselecteerde drukinstellingen (psi of bar) en de gewenste spanning (VAC) naar waarden voor de P266-besturing. Zie Waarden en modi van P266-besturing en Tabel 2.
3. Plaats de DIP-switches om de nieuwe waarden en modi in te stellen. Zie Het DIP-switchblok instellen.
4. Houd de drukknop ingedrukt totdat de LED het juiste aantal keren heeft geknipperd voor de gewenste waarde, set met waarden en/of modusinstellingen. Laat de drukknop los na:

- **twee keer knippen** om de lagedrukmodus en de beginspanningswaarde op te slaan
- **drie keer knippen** om de beginindrukwaarde op te slaan
- **vier keer knippen** om de einddrukwaarde op te slaan
- **vijf keer knippen** om de modus voor gesplitste wikkelingen, de eindspanningsmodus, de LSC-modus en de modus voor hulpventilatorstanden op te slaan
- **zes keer knippen** om de overlappingswaarde voor hulpventilatoren op te slaan
- **zeven keer knippen** om de omslagspanningswaarde op te slaan

Opmerking: Zie Tabel 2 voor meer informatie over de waarden en modi die horen bij het aantal keren dat de LED knippert.

5. Herhaal stap 3 en 4 voor de volgende waarde en/of modus die u wilt wijzigen.
6. Nadat u alle nieuwe waarden en modusinstellingen hebt opgeslagen, stelt u alle DIP-switches in op de AAN-positie om de werking van de drukknop te blokkeren.

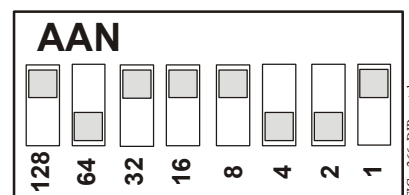
Het DIP-switchblok instellen

Ga als volgt te werk om nieuwe waarden en modi in te stellen op het DIP-switchblok:

1. Plaats alle switches op het DIP-switchblok in de UIT-positie.
2. Plaats de genummerde switches op AAN zodat het totaal van de switches (op de AAN-positie) gelijk is aan de gewenste instellingswaarde. Begin met de switch met het hoogste nummer dat kleiner

is dan de instellingswaarde. (Als de gewenste instellingswaarde bijvoorbeeld 185 is, plaatst u switch 128 eerst op AAN. Vervolgens plaatst u switch 32 op AAN, gevolgd door switch 16, switch 8 en switch 1 [$128+32+16+8+1=185$] [Figuur 8]).

Bij modusinstellingen hoeft u slechts een of twee switches op het DIP-switchblok te plaatsen, afhankelijk van de modus. Zie Tabel 2 voor meer informatie over de waarden en modi die horen bij het aantal keren dat de LED knippert.



Figuur 8: Een DIP-switchblok waarop de switches zijn geplaatst voor de instellingswaarde 185

BELANGRIJK: Alle switches op het DIP-switchblok moeten op de juiste posities voor uw toepassing zijn geplaatst, voordat u de drukknop indrukt en loslaat om de waarden en/of modusinstellingen op te slaan. Zie Tabel 2 voor meer informatie over de posities van de switches.

Testspanningsmodus

De testspanningsmodus is een hulpprogramma in de firmware van de P266-besturing waarmee u de werking van de ventilatormotor van een condensor in de praktijk kunt testen met verschillende spanningswaarden en de optimale beginspanningswaarde kunt bepalen voor uw toepassing met de P266-besturing.

In de testspanningsmodus kunt u ook de optimale omslagspanningswaarde bepalen en instellen voor de M3-triac in toepassingen met een P266-besturing die gebruikmaken van een lagesnelheidcondensator.

U hebt het volgende nodig als u de testspanningsmodus wilt gebruiken:

- een P266-besturingsmodel dat is ontworpen voor uw toepassing met een condensorventilator
- toegang tot de condensor (en de ventilatormotor) die door de P266-besturing wordt geregeld
- een ampèremeter met een bereik van 15 A (om het omslagverbruik te controleren bij het bepalen van de omslagspanningswaarde)
- een geïsoleerde sonde om de drukknop ingedrukt te houden en de posities van de DIP-switches te veranderen

- een 24 VAC Klasse 2-voeding (**alleen** voor P266-besturingsmodellen waarvoor een externe 24 VAC-voeding is vereist)
- een lagesnelheidscondensator (LSC) met de juiste maat voor de ventilatormotor (**alleen** voor toepassingen met een P266-besturing die gebruikmaken van een lagesnelheidscondensator)

Opmerking: Het spanningsbereik en de microfaradwaarde van de LSC en van de hulpcondensator van de fabrikant van de motor, moeten gelijk zijn, maar de waarde van de condensator mag niet hoger zijn dan 15 microfarad.

De testspanningsmodus instellen

Ga als volgt te werk voordat u een P266-besturing inschakelt en de testspanningsmodus op de besturing activeert:

1. Lees en volg de richtlijnen en de procedures in de secties *Montage* en *Bedrading*.
2. Neem bij het monteren en aansluiten van de P266-besturing in uw condensortoepassing de volgende extra richtlijnen in acht:
 - Raadpleeg de specifieke aansluitinstructies op het label aan de binnenkant van de behuizing van de P266-besturing. Zie *Bedrading* voor enkele bedradingsopties.
 - Sluit de hulp- en de hoofdwickelingen aan volgens de instructies van de fabrikant van de motor en de vereisten voor uw toepassing. Splits de wikkelingen (aan de uiteinden) en voed ze afzonderlijk, als het gebruik van gesplitste wikkelingen mogelijk is in uw toepassing en de motor. Zie Figuur 3 en Figuur 4.
 - Als in uw toepassing een optionele lagesnelheidscondensator wordt gebruikt, sluit u de LSC pas op de M3-triac en de motor aan **nadat** u het maximale stroomverbruik hebt gecontroleerd en genoteerd. Zie *De omslagspanningswaarde bepalen*.
 - Als voor de werking van uw P266-besturingsmodel een externe 24 VAC-voeding is vereist, sluit u die voeding op de besturing aan. (Raadpleeg het label met aansluitinstructies aan de binnenkant van de behuizing van de P266-besturing voor de vereisten voor een externe voeding.)
 - U hoeft de P266-omvormer **niet** aan te sluiten of te voeden en de condensator niet te belasten als u de testspanningsmodus van een P266-besturing wilt gebruiken. In de testspanningsmodus kunt u met de DIP-switches de spanning instellen die P266-besturing aan de motor levert.
3. Stel de juiste waarden en modi in voor uw toepassing van de P266-besturing en de ventilatormotor van de condensor. Zie *Installatie en afstelling* voor procedures.

De omslagspanningswaarde bepalen

In de testspanningsmodus kunt u de omslagspanningswaarde bepalen en instellen voor toepassingen met een P266-besturing die gebruikmaken van een lagesnelheidscondensator. Ga als volgt te werk om de omslagspanningswaarde te bepalen en in te stellen:

1. Monteer de P266-besturing en de ventilatormotor van de condensor en sluit deze aan en stel deze in voor werking in de testspanningsmodus. Zie *De testspanningsmodus instellen*.
- Opmerking:** Sluit de lagesnelheidscondensator **niet** aan vóór stap 6 van deze procedure.
2. Plaats alle DIP-switches, behalve switch 1, op de AAN-positie. Plaats switch 1 op UIT.
 3. Schakel de stroom in naar de P266-besturing (en naar de externe 24 VAC-voeding op modellen waarbij dat nodig is). Vervolgens moet u binnen dertig seconden nadat u de stroom hebt ingeschakeld de drukknop drie keer indrukken en loslaten. De LED gaat uit en blijft uit en de ventilatormotor accelereert tot de maximale snelheid (bij 95 of 97% van de maximale spanning) en behoudt vijf minuten de maximale spanning.
 4. Bij de maximale spanning controleert u met de ampèremeter het stroomverbruik (in ampère) van de hulpwickelingen van de ventilatormotor en noteert u het huidige verbruik van de hulpwickelingen voor de motor bij de maximale spanning.
 5. Schakel de stroom uit naar de P266-besturing (en naar de externe 24 VAC-voeding op modellen waarbij dat nodig is).
 6. Sluit de lagesnelheidscondensator aan op de M3-triac en de hulpwickelingen van de motor. (Zie Figuur 3 en Figuur 4 voor bedradingsopties voor de M3-triac.)
 7. Plaats alle DIP-switches, behalve switch 8 en switch 32, op de UIT-positie. Plaats switch 8 en switch 32 op de AAN-positie. (8 + 32 = 40% van de maximale spanningswaarde.)
 8. Schakel de stroom in naar de P266-besturing (en naar de externe 24 VAC-voeding op modellen waarbij dat nodig is). Vervolgens moet u binnen dertig seconden nadat u de stroom hebt ingeschakeld de drukknop drie keer indrukken en loslaten. De LED gaat uit en blijft uit en de ventilatormotor accelereert naar de snelheid bij 40% van de maximale spanning (ongeveer vijf minuten).

9. Bij 40% van de maximale spanning controleert u met de ampèremeter het stroomverbruik (in ampère) van de hulpwikkelingen van de ventilatormotor die zijn aangesloten op beide condensatoren en noteert u het huidige verbruik van de hulpwikkelingen bij 40% van de maximale spanning.
10. Herhaal Stap 7, maar verhoog de spanning met 8%. Herhaal vervolgens Stap 8, Stap 9 en Stap 10 met de verhoogde spanningswaarden totdat het stroomverbruik gelijk is aan het huidige verbruik (maximale spanning) dat u hebt genoteerd in Stap 4.

Opmerking: Als de motor stopt of niet soepel draait, verlaagt u de spanningswaarde via de DIP-switches met 4% en test u de werking van de motor opnieuw.

11. De spanningswaarde van de DIP-switches is nu gelijk aan de hoogste spanning van de lagesnelheidsmodus of de omslagspanningswaarde.
12. Houd de drukknop ingedrukt totdat de LED drie keer knippert en laat de knop daarna los. De omslagspanningswaarde is ingesteld en opgeslagen in de P266-besturing.

Opmerking: Als u ook de beginspanningswaarde voor uw P266-besturing en motor wilt bepalen en instellen, kunt u rechtstreeks naar Stap 3 van de procedure De beginspanningswaarde bepalen gaan.
13. Schakel de stroom naar de P266-besturing uit en stel alle DIP-switches in op de AAN-positie om de werking van de drukknop te blokkeren.
14. Schakel de stroom naar de P266-besturing weer in om de normale snelheidsbesturing van de motor te hervatten.

De beginspanningswaarde bepalen

In de testspanningsmodus kunt u ook de beginspanningswaarde voor uw toepassing met de P266-besturing bepalen en instellen.

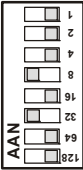

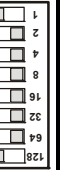

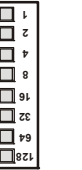

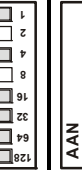



Ga als volgt te werk om de beginspanningswaarde te bepalen en in te stellen:

1. Monteer de P266-besturing en de ventilatormotor van de condensor en sluit deze aan en stel deze in voor werking in de testspanningsmodus. Zie De testspanningsmodus instellen.

Opmerking: Als in uw toepassing de modus voor gesplitste wikkelingen en de LSC-modus worden gebruikt, sluit u de gesplitste wikkelingen en de lagesnelheidscondensator aan volgens de vereisten van uw toepassing (Figuur 3A en Figuur 4A).

2. Schakel de stroom in naar de P266-besturing (en naar de externe 24 VAC-voeding op modellen waarbij dat nodig is). Vervolgens moet u binnen dertig seconden nadat u de stroom hebt ingeschakeld de drukknop drie keer indrukken en loslaten. De LED gaat uit en blijft uit.
3. Plaats de DIP-switches zodat de totale waarde van de switches op de AAN-posities gelijk is aan een procentagewaarde die gelijk aan of enigszins hoger is dan uw geschatte beginspanningswaarde. (Als u bijvoorbeeld schat dat de beginspanning van de motor 25% van de totale spanning is, plaatst u de switches 16, 8, 4 en 2 op AAN. $16 + 8 + 4 + 2 = 30\%$, iets hoger dan uw geschatte 25%.) De ventilatormotor accelereert naar de snelheid bij 30% van de maximale spanning en behoudt die snelheid.
4. Observeer de werking van de ventilatormotor en bepaal of de motor bij de toegepaste beginspanning op de gewenste beginsnelheid draait:
 - Als de beginsnelheid en de werking van de motor aan de vereisten van uw toepassing voldoen, gaat u naar Stap 5.
 - Als de beginsnelheid en de werking van de motor niet aan uw vereisten voldoen, gaat u terug naar Stap 3 en stelt u een nieuwe geschatte beginspanningswaarde in om de gewenste beginsnelheid van de motor te genereren.
5. Wanneer de motor met de gewenste beginsnelheid (beginspanningswaarde) draait, houd u de drukknop ingedrukt totdat de LED twee keer knippert en laat de u knop daarna los. De beginspanningswaarde is ingesteld en opgeslagen in de P266-besturing.
6. Schakel de stroom naar de P266-besturing uit en stel alle DIP-switches in op de AAN-positie om de werking van de drukknop te blokkeren.
7. Schakel de stroom naar de P266-besturing weer in om de normale snelheidsbesturing van de motor te hervatten.

Table 2: Voorbeeld van LED-knipperreeksen, instellingswaarden, modusinstellingen op DIP-switchblok en standaardwaarden en modusinstellingen

Laat de drukknop los na...	Naam van waarde/modus (switchnummer)	Waardebereik/modusinstellingen (voorbeeld standaardinstellingen)	Switchnummer en positie Beschrijving van waarde/instelling	DIP-switchblok voorbeeld standaardinstellingen
Twee keer knippen	Lagesnelheidsmodus (Switch 128)	Instellingen: AAN of UIT (Standaardinstelling: UIT)	Switch 128 UIT = Geen spanning naar motor wanneer gemeten druk lager is dan begindruk. Switch 128 AAN = Beginspanning naar motor wanneer gemeten druk gelijk aan of lager is dan begindruk.	
	Beginspanningswaarde (Switches 1 t/m 64)	Waardebereik: 10 t/m 90 (Standaardwaarde: 40)	Plaats de switches 1 t/m 64 op AAN of UIT zodat de som van de switches op de AAN-positie gelijk is aan de beginspanningswaarde.	
Drie keer knippen	Begindrukwaarde (Switches 1 t/m 128)	Waardebereik: 10 t/m 230 (Standaardwaarde: 110)	Plaats de switches 1 t/m 128 op AAN of UIT zodat de som van de switches op de AAN-positie gelijk is aan de begindrukwaarde.	
	Einddrukwaarde (Switches 1 t/m 128)	Waardebereik: [Begindruk + 8] t/m 240 (Standaardwaarde: 129)	Plaats de switches 1 t/m 128 op AAN of UIT zodat de som van de switches op de AAN-positie gelijk is aan de einddrukwaarde.	
Vijf keer knippen (Switches 64 en 128 UIT)	Modus voor gesplitste wikkelingen (Switch 32)	Instellingen: AAN of UIT (Standaardinstelling: UIT)	Switch 32 AAN = M2-triac ingeschakeld om gesplitste wikkelingen te voeden. Switch 32 UIT = M2-triac is uitgeschakeld.	
	Eindspanningsmodus (Switch 16)	Instellingen: AAN of UIT (Standaardinstelling: UIT)	Switch 16 AAN = Levert 95% van ingangsspanning van P266 aan motor. Switch 16 UIT = Levert 97% van ingangsspanning van P266 aan motor.	
	Algoritme voor digitale scrollcompressor (Switch 8)	Instellingen: AAN of UIT (Standaardinstelling: UIT)	Switch 8 AAN = Algoritme voor digitale scroll ingeschakeld. Switch 8 UIT = Algoritme voor digitale scroll uitgeschakeld.	
	LSC-modus (Switch 4)	Instellingen: AAN of UIT (Standaardinstelling: UIT)	Switch 4 AAN = Lagesnelheidscondensator is beschikbaar. Switch 4 UIT = Lagesnelheidscondensator is niet beschikbaar.	
	Aantal hulpventilatorstanden (Switches 1 en 2)	Instellingen: AAN of UIT (Standaardinstelling: UIT - UIT)	Switch 1 UIT en switch 2 UIT zonder hulpventilatoren. Switch 1 AAN en switch 2 UIT voor hulpventilator 1. Switch 1 UIT en switch 2 AAN voor hulpventilatoren 1 en 2. Switch 1 AAN en switch 2 AAN voor hulpventilatoren 1, 2 en 3.	
Zes keer knippen (Switch 128 UIT)	Overlapping voor hulpventilatoren (Switches 1 t/m 64)	Waardebereik: 1 t/m 90 (Standaardwaarde: 10)	Plaats de switches 1 t/m 64 op AAN of UIT zodat de som van de switches op de AAN-positie gelijk is aan de overlappingswaarde voor hulpventilatoren.	
Zeven keer knippen (Switch 128 UIT)	Omslagspanningswaarde (Switch 1 t/m 64)	Waardebereik: 10 t/m 80 (Standaardwaarde: 60)	Plaats de switches 1 t/m 64 op AAN of UIT zodat de som van de switches op de AAN-positie gelijk is aan de omslagspanningswaarde.	

P266 elektronische drukomvormers

P266-besturingen zijn ontworpen om de condensordruk van een of twee P266 elektronische drukomvormers van Johnson Controls te controleren.

P266-omvormers zijn gespecialiseerde versies van de elektronische drukomvormers uit de P499-serie en ontworpen voor gebruik met P266-besturingen. Zie Tabel 3 voor de beschikbare P266-omvormermodellen.

Opmerking: In toepassingen met een P266-besturing waarin twee P266-omvormers worden gebruikt, heeft de P266-besturing altijd betrekking op de omvormer die de hoogste druk meet.

BELANGRIJK: Wanneer er twee P266-omvormers zijn aangesloten op een P266-besturing, moet het model (productcodenummer) van de omvormers hetzelfde zijn. Als de aangesloten P266-omvormers niet van hetzelfde model zijn, kan de besturing afwijkend gedrag vertonen.

Raadpleeg *P499 Series Electronic Pressure Transducers Product/Technical Bulletin (LIT-1201190)* voor informatie over het installeren van P266-omvormers.

Tabel 3: P266SNR elektronische drukomvormers

Productcode-nummer	Beschrijving
P266SNR-1C	Elektronische drukomvormer: 0 tot 35 bar (0 tot 508 psi) totaal bereik met een 1/4 inch SAE-soldeerkoppeling (female) en een kabel van 2 meter.
P266SNR-2C	Elektronische drukomvormer: 0 tot 52 bar (0 tot 754 psi) totaal bereik met een 1/4 inch SAE-soldeerkoppeling (female) en een kabel van 2 meter.

Technische specificaties

P266xxx-x 1-fase snelheidsbesturing voor condensorventilator

Voeding	208/240 VAC 50/60 Hz, 380/460 VAC 50/60 Hz of 480/575 VAC 50/60 Hz, afhankelijk van model (Raadpleeg het voltagebereik en het specifieke bedradingsschema op het label aan de binnenkant van de behuizing van de P266-besturing.)
Nominale kortsluitwaarde	Geschikt voor gebruik in een circuit dat in staat is maximaal 5.000 rms symmetrische ampères te leveren, bij maximaal 600 Volt, indien beveiligd met zekeringen van klasse H.
Laagspanningsvoeding	Type P266A, P266B en P266C: externe voedingstransformator 24 VAC Klasse 2, 20 VA Type P266Exx: laagspanningsvoeding voor P266-besturing wordt geleverd door een ingebouwde transformator. Opmerking: Wanneer er hulpventilatorstarters zijn aangesloten op P266E-besturingen, moet u een externe SELV-voeding (Safety Extra-Low Voltage) gebruiken als voeding voor de ventilatorstarters (Figuur 2).
Werkomgevingscondities	Temperatuur: -40 tot 60°C (-40 tot 140°F) Vochtigheid: maximaal 95% RH niet-condenserend; dauwpunt van max. 29°C (85°F)
Verzend- en opslagcondities	Temperatuur: -40 tot 85°C (-40 tot 185°F) Vochtigheid: maximaal 95% RH niet-condenserend; dauwpunt van max. 29°C (85°F)
Laagspanningsaansluitingen	1/4 inch snelaansluitingen, maximaal 30 m kabel
Ingangsomvormer	P266SNR-x drukomvormer: 5 VDC voor 0,5 tot 4,5 VDC ratiometrisch analoog signaal
Type behuizing	NEMA 3R, IP54
Constructie behuizing	Gegoten aluminium
Constructie deksel	UV gestabiliseerd polycarbonaat

P266xxx-x 1-fase snelheidsbesturing voor condensorventilator

Afmetingen (HxBxD)	159 x 177 x 70 mm (6-1/4 x 7 x 2-3/4 inch)
Gewicht	Gewicht van zwaarste model: 1,0 kg (2,2 lb) Transportgewicht bij benadering: 1,2 kg (2,6 lb)
Voorschriften en normen	Europa: Merk: CE-compatibel; CENELEC EN 60947-1 & 4-2; RoHS-richtlijn (2002/95/EC); WEEE-richtlijn (2002/96/EC) Noord-Amerika: cULus File 244421; FCC-compatibel met CFR 47, Deel 15, Subdeel B, Klasse B IC-compatibel (Industry Canada) met Canadese normen ICES-003, Klasse B Australië: C-Tick-compatibel (N1813)

De prestatiespecificaties zijn nominaal en conform geaccepteerde industriestandaarden. Voor toepassingen onder omstandigheden buiten deze specificaties dient u contact op te nemen met Johnson Controls Application Engineering op (414) 524-5535. Johnson Controls, Inc. is niet verantwoordelijk voor schade die resulteert uit de verkeerde toepassing of verkeerd gebruik van haar producten.

Conformiteit met emissierichtlijnen in de Verenigde Staten (FCC)

Deze apparatuur is getest en voldoet aan de voorschriften voor een digitaal apparaat van Klasse B, overeenkomstig Deel 15 van de FCC-richtlijnen. Deze richtlijnen zijn ontworpen om redelijke bescherming te bieden tegen schadelijke interferentie in een woonomgeving. De apparatuur genereert en gebruikt radiofrequentie-energie en kan deze uitstralen. Als de apparatuur niet is geïnstalleerd overeenkomstig de instructies, kan dit schadelijke interferentie bij radiocommunicatie veroorzaken. Er kan echter geen garantie worden gegeven dat deze apparatuur in welke installatie dan ook, geen interferentie zal veroorzaken. Als deze apparatuur schadelijke interferentie veroorzaakt in radio- of televisieontvangst, hetgeen kan worden vastgesteld door de apparatuur uit en weer in te schakelen, kan de gebruiker proberen de interferentie te verhelpen door een of meer van de volgende maatregelen te nemen:

- De ontvangstantenne elders plaatsen.
- De afstand tussen de apparatuur en de ontvanger vergroten.
- De apparatuur aansluiten op een stopcontact in een ander circuit dan dat waarop de ontvanger is aangesloten.
- De dealer of een ervaren radio/tv-technicus om hulp vragen.

Conformiteit met Canadese emissierichtlijnen

Dit digitaal apparaat van Klasse B voldoet aan alle vereisten van de Canadese richtlijnen voor apparatuur die interferentie veroorzaakt.



Building Efficiency
507 E. Michigan Street, Milwaukee, WI 53202

*Johnson Controls/PENN® zijn gedeponeerde handelsmerken van Johnson Controls, Inc.
Alle andere hierin genoemde merken zijn merken van de respectieve eigenaars. © 2010 Johnson Controls, Inc.*

Fläkthastighetskontroll P266 med enfaskkondensator

Installationsanvisning

P266xxx-x

Art.nr 24-7664-2705, ver. D
Utgivningsdatum 27 augusti 2010
Ersätter 8 april 2010

Tillämpning

VIKTIGT! Använd endast denna P266 fläkthastighetskontroll med enfaskkondensator som en driftstyrenhet. Om fel på fläkthastighetskontrollen P266 kan leda till personskador eller skador på den övervakade utrustningen eller annan egendom måste styrsystemet utformas med ytterligare säkerhetsåtgärder. Montera och underhåll andra enheter, till exempel övervaknings- eller larmsystem eller säkerhets- eller gränsstyrenheter, som är avsedda att varna för eller skydda mot fel på fläkthastighetskontrollen P266.



SE UPP! Risk för Skada på egendom

Använd endast PSC-motorer (Permanent Split Capacitor) av enfastytp som har godkänts av tillverkaren för hastighetskontrolltillämpning tillsammans med P266-enheten. Om PSC-motor av enfastytp inte används kan motorn och annan egendom skadas.

Fläkthastighetskontrollen P266 är en kostnadseffektiv, kompakt, väderbeständig och tålig hastighetskontroll för PSC-motorer av enfastytp som används i en mängd olika kondensator-tillämpningar för kyla och luftkonditionering.

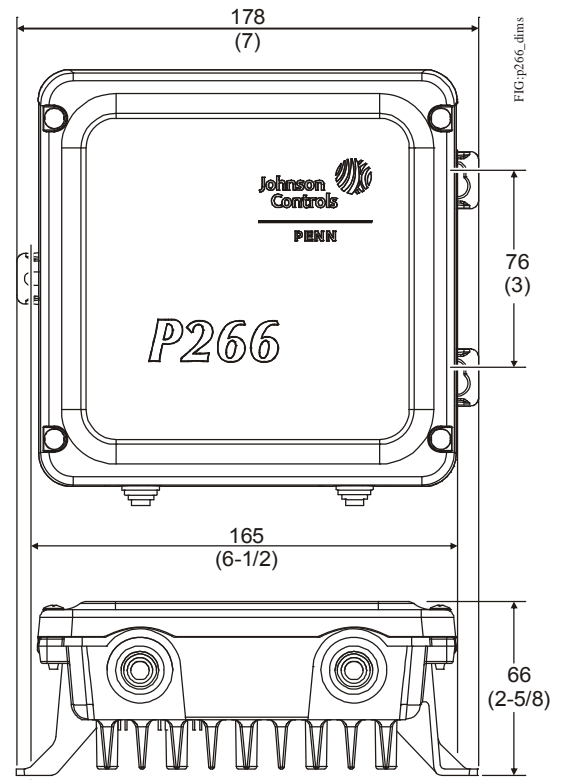
Fläkthastighetskontrollen P266 ersätter Johnson Controls® fläkthastighetskontroller P66 och P215 men har fler funktioner och flexiblare tillämpning.

Montering

Att tänka på vid placering

Observera dessa anvisningar vid placering och montering av fläkthastighetskontrollen P266:

- Se till att monteringsytan och monteringsutrustningen lämpar sig för enheten och kabeldragningen.



Figur 1: Monteringsdimensioner i mm (tum) för fläkthastighetskontrollen P266 med enfaskkondensator

- Montera P266-enheten upprätt på en lodrät yta med värmeflänsfenorna i lodrät riktning och kanalerna/elhålén riktade nedåt.
- Se till att luften kan strömma genom värmeflänsfenorna och att det finns minst 10 cm utrymme runt värmeflänsen.
- Montera P266-enheten på en plats utan starka värmekällor i närheten och med angivna drifförhållanden. I *Tekniska specifikationer* finns mer information om drifförhållanden.

Kabeldragning

Läs igenom det modellspecifika kopplingsschemat som finns på etiketten på insidan av P266-enheten och följ dessa anvisningar när du gör kabeldragningen för P266-enheten:



VARNING! Risk för Elektriska stötar.

Koppla från eller isolera alla spänningsmatningar innan elektriska anslutningar görs. Mer än en bortkoppling eller isolering kan krävas för att göra utrustningen helt spänningsfri. Kontakt med komponenter med farlig spänning kan ge elektriska stötar som kan orsaka allvarliga eller livshotande personskador.

VIKTIGT! Anslut inte någon strömkälla till P266-enheten innan kabeldragningen är klar och du har kontrollerat alla kabelanslutningar. Kortslutning eller felaktigt anslutna kablar kan resultera i skada på P266-enheten och garantin upphör då att gälla.

VIKTIGT! Överskrid inte elklassificeringarna för P266-enheten. Om du gör detta kan det medföra permanent skada på P266-enheten och garantin upphör då att gälla.

VIKTIGT! Använd endast 60/75 C ledare av koppar. Utför all kabeldragning enligt lokala, nationella och regionala regler.

VIKTIGT! Elektrostatiska urladdningar kan skada komponenterna i P266-enheten. Vidta lämpliga försiktighetsåtgärder för ESD (Electrostatic Discharge) vid installation och service för att undvika att P266-komponenterna skadas.

- Se till att kablarna mellan P266-enheten och fläktmotorn inte är längre än 15 m.
- Kablar som ansluts till spänningsanslutningsplinten måste vara 3,31 mm² (12 AWG) eller tunnare.
- Lågspänningskablarna måste vara kortare än 30 m.

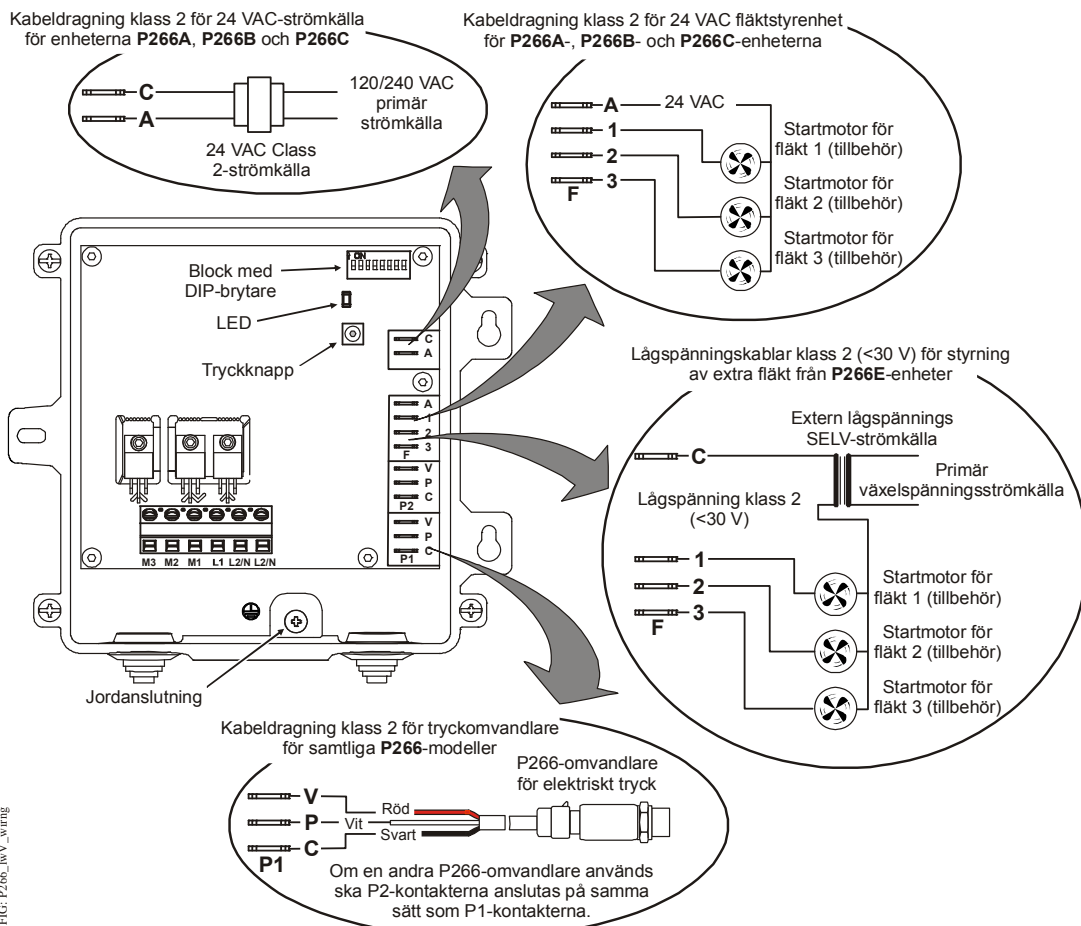


FIG: P266_lwV_wiring

Figur 2: Fysiska egenskaper hos P266-enheten och lågspänningskablar

Lågspänningskablar

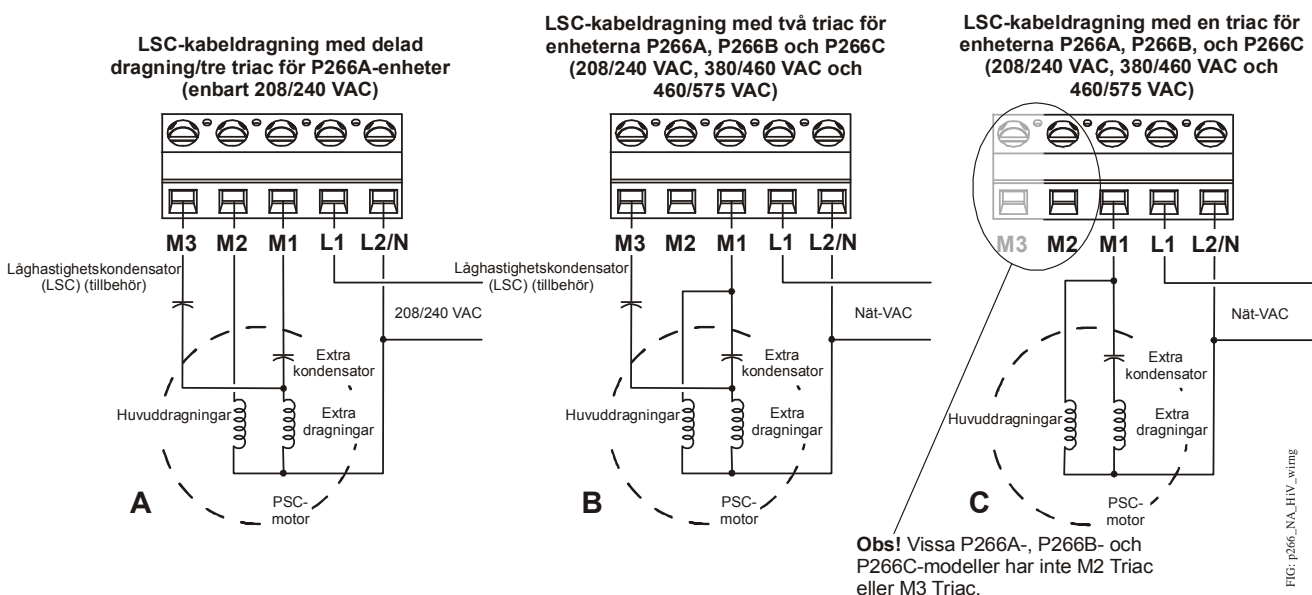
Figur 2 visar funktionerna hos P266-enheten under locket och kopplingsscheman för lågspänningskablar för modellerna P266A, P266B, P266C och P266E.

Högspänningskablar

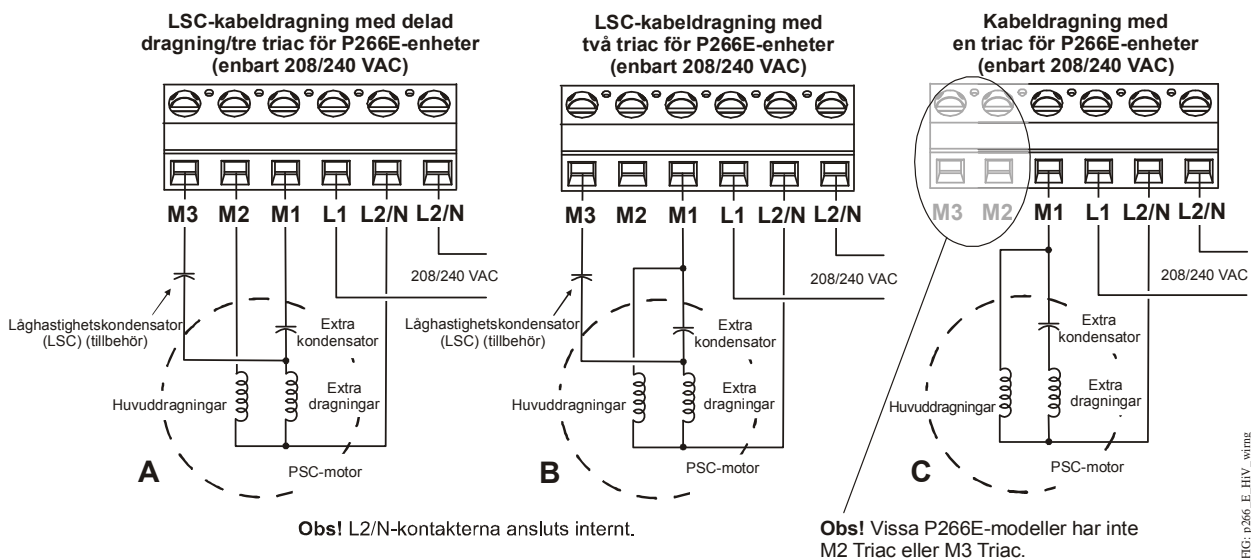
Figur 3 visar kopplingsscheman för högspänningskablar för modellerna P266A, P266B och P266C. Figur 4 visar kopplingsscheman för högspänningskablar för P266E-modellerna.

VIKTIGT! L2/N-kontakten måste anslutas till nätspänningen för att en P266-enhet ska uppfylla emissionsbegränsningarna av radiofrekvensstörningar enligt FCC och IEC Class B.

Använd Tabell 1 för att ta reda på vilka alternativ för högspänningskablar som finns för modellerna P266A, P266B, P266C och P266E.



Figur 3: Alternativ för högspänningskablar för modellerna P266A, P266B och P266C



Figur 4: Alternativ för högspänningskablar för P266E-enheter

Tabell 1: Alternativ för högspänningskablar och spänningsområde per produkttyp

Produkt-typsnummer	Delad dragning/tre triac med låghastighetskondensator	Två triac med låghastighetskondensator			Enkel triac		
		208/240 VAC	208/240 VAC	380/460 VAC	460/575 VAC	208/240 VAC	380/460 VAC
P266AA	Se Figur 3A	Se Figur 3B	--	--	Se Figur 3C	--	--
P266AB	Se Figur 3A	Se Figur 3B	--	--	Se Figur 3C	--	--
P266AC	--	--	--	--	Se Figur 3C	--	--
P266AD	--	--	--	--	Se Figur 3C	--	--
P266BC	--	--	--	--	--	--	Se Figur 3C
P266BD	--	--	--	--	--	--	Se Figur 3C
P266BG	--	--	--	Se Figur 3B	--	--	Se Figur 3C
P266BH	--	--	--	Se Figur 3B	--	--	Se Figur 3C
P266EA	Se Figur 4A	Se Figur 4B	--	--	Se Figur 4C	--	--
P266EB	Se Figur 4A	Se Figur 4B	--	--	Se Figur 4C	--	--
P266EC	--	--	--	--	Se Figur 4C	--	--
P266ED	--	--	--	--	Se Figur 4C	--	--
P266EE	--	--	--	--	Se Figur 4C	--	--
P266EF	--	--	--	--	Se Figur 4C	--	--
P266CH	--	--	Se figur 3B	--	--	Se figur 3B	--

Konfiguration och inställningar

Alla P266-enheter levereras med fabriksinställda standardvärden och lägesinställningar. Vid de flesta tillämpningar behöver standardvärdena och standardlägena inte fältjusteras.

Om din tillämpning av P266-enheten kräver att du ändrar värdet eller lägesinställningarna måste du:

1. Beräkna de nya värdena och fastställa de nya lägesinställningarna som krävs för tillämpningen. (Se *Värden och lägen för P266-enheten*.)
2. Ändra befintliga inställningar på enheten till de nya värdena och lägena med hjälp av inställningsgränssnittet för P266-enheten. (Se *Ställa in värden och lägen*.)

Inställningsgränssnittet för P266-enheten

Inställningsgränssnittet för P266-enheten består av ett block med åtta binära DIP-brytare, en tryckknappsbrytare och en grön LED-lampa (Figur 2). Du kan ändra de fabriksinställda standardvärdena och standardlägena genom att flytta på DIP-brytarna och spara de nya inställningarna. Antalet LED-blinkningar (i ordningsföljd) anger vilket värde och/eller vilka lägen som du sparar. I Tabell 2 finns mer information om sekvenserna med LED-blinkningar, värden och lägen.

Vid normal drift lyser den gröna LED-lampan konstant. När du **trycker och håller ned** tryckknappen slocknar LED-lampan under tre sekunder och blinkar sedan två gånger. LED-lampan slocknar igen under tre sekunder och blinkar tre gånger, och detta mönster fortsätter tills lampan blinkar sju gånger eller tills du släpper upp tryckknappen.

Varje sekvens med blinkningar anger ett värde eller ett läge och en uppsättning lägesinställningar. Om du släpper upp tryckknappen efter den önskade sekvensen med blinkningar sparas det aktuella värdet och/eller de lägen som är inställda med DIP-brytarna. I Tabell 2 finns mer information.

När du är klar med inställningen ställer du alla DIP-brytarna i läge ON för att inaktivera användning av tryckknappen.

Värden och lägen för P266-enheten

P266-enheten har upp till tio värden och lägen (i sex blinksekvenser) som kan ändras på fältet. I Tabell 2 finns mer information om blinksekvenser och deras värden och lägen.

Värde för startspänning

Startspänningen (VAC) är den spänning som skickas av P266-enheten till fläktmotorn för att driva motorn vid tillämpningens lägsta hastighet.

Värdet för startspänning är en procentandel av P266-enhetens inspänning. Använd följande formel för att beräkna tillämpningens värde för startspänning.

$$\frac{\text{Startspänning (VAC)}}{\text{Ingående nätspänning (VAC) för P266-enhet}} = \text{Värde för startspänning (\%)}$$

Läge för lågt tryck

Läget för lågt tryck fastställer om fläktmotorn är på ON (vid startspänning/lägsta hastighet) eller OFF när det avlästa trycket vid P266-omvandlaren ligger under starttrycksinställningen.

Värde för starttryck

Starttrycket (psi eller bar) är den tryckinställning där P266-enheten avger en startspänning och driver fläktmotorn vid den lägsta hastigheten. **Värdet för starttryck** är en funktion av starttrycksinställningen och tryckområdet för den refererade P266-omvandlaren. Använd följande formel för att beräkna värdet för starttryck. I Tabell 3 anges tryckområden för P266-omvandlaren.

$$\frac{\text{Inställning av starttryck (bar eller psi)}}{\text{Tryckområde för P266-omvandlaren (bar eller psi)}} \times 250 = \text{Värde för starttryck}$$

Värde för sluttryck

Sluttrycksinställningen är det tryck (psi eller bar) där P266-enheten skickar en slutspänning och driver fläktmotorn vid den högsta hastigheten. **Värdet för sluttryck** är en funktion av sluttrycksinställningen och det totala tryckområdet för den refererade omvandlaren. Använd följande formel för att fastställa tillämpningens värde för sluttryck. I Tabell 3 anges tryckområden för P266-omvandlaren.

$$\frac{\text{Inställning av sluttryck (bar eller psi)}}{\text{Tryckområde för P266-omvandlaren (bar eller psi)}} \times 250 = \text{Värde för sluttryck}$$

Läge för delad dragning

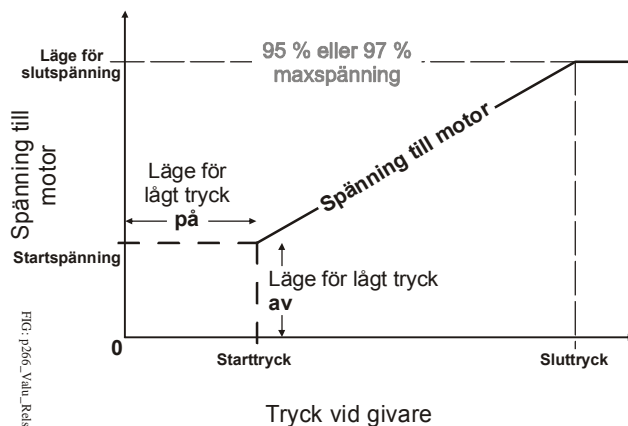
Vissa enfas PSC-motorer har ledningar med delad dragning. Om du ställer in läget för delad dragning på ON kan M2 Triac skicka spänning till huvuddragningen (och inte till extra dragningar), vilket ökar motorns effektivitet (Figur 3A och Figur 4A).

Obs! Läget för delad dragning finns **bara för 240 VAC enfas PSC-motorer som har ledningar för delad dragning**. I tillverkarens installationsanvisningar finns information om hur du tar reda på om fläktmotorns kablar kan dras med hjälp av läget för delad dragning.

Kompressorläget **Copeland Digital Scroll™** Kompressorläget Digital Scroll gör det möjligt att använda P266-enheten i ett system med en digital scrollkompressor. Om kompressorläget Digital Scroll inte kan aktiveras när en digital scrollkompressor används kan systemets kondensatorfläkt börja vibrera.

Läge för slutspänning

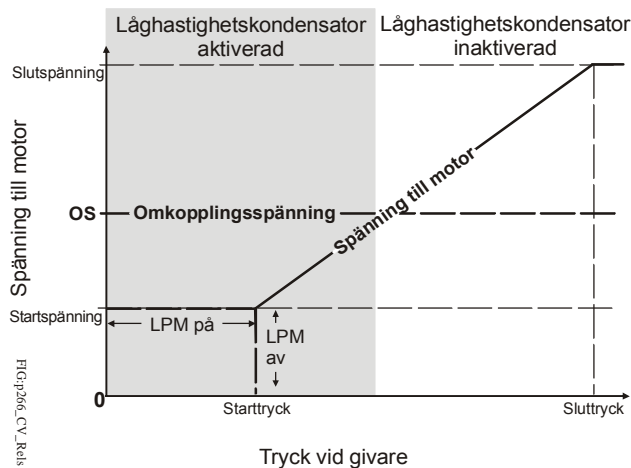
Slutspänningen är den spänning som utgår från P266-enheten (i procent av hela spänningen) och som upprätthålls när det övervakade trycket är lika med eller större än sluttrycket. Läget för slutspänning kan ställas in på 95 % eller 97 % av den totala inspänningen. Se Figur 5.



Figur 5: Förhållandet mellan variablerna för fläkthastighetskontrollen P266

Läge för låghastighetskondensator

I vissa tillämpningar för fläkthastighet kan en låghastighetskondensator (LSC) (tillbehör) anslutas till P266-enhetens M3 Triac och den fläktmotor som styrs (Figur 3 och Figur 4). Låghastighetskondensatorer används vid låg spänning för att förbättra fläktmotorers effektivitet och prestanda. Ställ in läget för låghastighetskondensator på ON när en sådan används.



Figur 6: Drift med låghastighetskondensator

Obs! Den valfria låghastighetskondensatorn ska ha samma spänningsområde och mikrofarad-värde som den extra kondensator som tillhandahålls av tillverkaren, men kondensatorn får inte överskrida 15 mikrofarader.

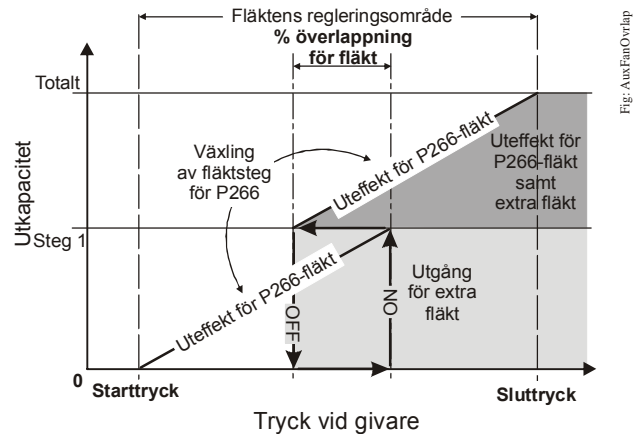
Obs! Du måste också ställa in värdet för omkopplingsspänning när en låghastighetskondensator används i P266-tillämpningen. I Värde för omkopplingsspänning och Fastställa värdet för omkopplingsspänning finns mer information om hur du ställer in värdet för omkopplingsspänning.

Läge för extra fläktsteg

Du kan ställa in P266-enheten så att den går igenom en cykel (ON/OFF) för upp till ytterligare tre fläktmotorer (med fast hastighet) eller fläktsteg förutom den fläkt med variabel hastighet som styrs av P266-enheten.

Tre lågspänningskretsar (Figur 2) kan anslutas för att styra startmotorerna för extra fläktmotorer/steg. I Tabell 2 finns information om hur du ställer in det antal extra fläktar som används i tillämpningen.

Figur 7 visar en P266-tillämpning med en extra fläkt som drivs tillsammans med den hastighetskontrollerade fläkten. När kondensatorbelastningen överskrider utkapaciteten för den hastighetskontrollerade fläkten kopplar P266-enheten på den extra fläkten och växlar över den hastighetskontrollerade fläkten (P266) till ett nytt starttryck.



Figur 7: Hastighetskontrollerad (P266) fläkt som drivs med ett extra (ON/OFF) fläktsteg över hela tryckområdet

Värde för överlappning med extra fläkt

Värdet för överlappning med extra fläkt bestämmer tryckområdesöverlappningen (i procent av det totala tryckområdet [regleringen]) mellan fläktstegen som har ställts in för P266-enheten. Fläktöverlappningsvärdet är samma för alla extra fläktsteg som har ställts in för enheten.

När du ökar värdet för överlappning med extra fläkt minskar cykelhastigheten (ON/OFF) för de extra fläktarna och tryckskillnaderna ökar mellan de extra fläktstegen (vilket ökar tryckområdet för varje extra fläktsteg).

Obs! Om P266-enheten inte har ställts in för extra fläktar används inte värdet för överlappning med extra fläkt. I Tabell 2 finns information om hur du ställer in det antal extra fläktar som används i tillämpningen.

Värde för omkopplingsspänning

Värdet för omkopplingsspänning fastställer med vilken spänning som P266-enheten aktiverar och inaktiverar M3 Triac och låghastighetskondensatorn (Figur 6). Se Fastställa värdet för omkopplingsspänning.

Ställa in värden och lägen

Så här ändrar du inställningar och värden på en P266-enhet:

1. Fastställ drifttrycksinställningarna (psi eller bar), inspänning och utspänning (VAC) samt de andra driftlägen som du behöver för tillämpningen.
 2. Konvertera de valda tryckinställningarna (psi eller bar) och spänningmålen (VAC) till P266-enhetsvärden. Se Värden och lägen för P266-enheten och Tabell 2.
 3. Placera DIP-brytarna för att ställa in de nya värdena och/eller lägena. Se Ställa in DIP-brytarna.
 4. Tryck och håll ned tryckknappen tills antalet LED-blinkningar anger önskat värde eller uppsättning med värden och/eller lägesinställningar. Släpp upp tryckknappen **efter**:
 - **två blinkningar** om du vill spara lägesinställningen för lågt tryck och värdet för startspänning
 - **tre blinkningar** om du vill spara värdet för starttryck
 - **fyra blinkningar** om du vill spara värdet för sluttryck
 - **fem blinkningar** om du vill spara lägesinställningarna för delad dragning, slutspänning, läget för låghastighetskondensator och extra fläktsteg
 - **sex blinkningar** om du vill spara värdet för överlappning med extra fläkt
 - **sju blinkningar** om du vill spara värdet för omkopplingsspänning
- Obs!** I Tabell 2 finns mer information om andra värden och lägen som hör till antalet LED-blinkningar.
5. Upprepa steg 3 och 4 för nästa värde och/eller läge som du vill ändra.
 6. När du har sparat alla nya värden och lägesinställningar ställer du in DIP-brytarna i läge ON så att tryckknappen inte längre fungerar.

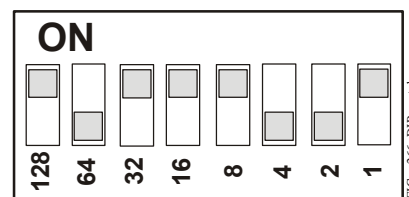
Ställa in DIP-brytarna

Så här ställer du in nya värden och lägen med DIP-brytarna:

1. Placera alla DIP-brytare i läge OFF.

2. Placera de nummerade brytarna på ON så att summan av brytarnumren (i läge ON) är lika med det önskade inställningsvärdet. Börja med brytaren med det högsta numret som är mindre än inställningsvärdet. (Om önskat inställningsvärde till exempel är 185 placerar du först brytare 128 på ON. Placera sedan brytare 32 på ON, följt av brytare 16, brytare 8 och brytare 1 [$128+32+16+8+1=185$] [Figur 8]).

För lägesinställningar behöver du bara placera en eller två DIP-brytare, beroende på läge. I Tabell 2 finns mer information om andra värden och lägen som hör till antalet LED-blinkningar.



Figur 8: Ett block med DIP-brytare där brytarna har placerats för inställningsvärdet 185

VIKTIGT! Alla DIP-brytare måste ställas in i rätt läge för tillämpningen innan du trycker ned och släpper upp tryckknappen för att spara värden och/eller lägesinställningar. I Tabell 2 finns mer information om brytarnas lägen.

Läge för spänningstest

Läget för spänningstest är ett inställnings- och diagnosverktyg i P266-programvaran som gör att du kan testa en kondensatorfläktmotors drift vid olika spänningvärden på fältet och ta reda på det bästa startspänningvärdet för din P266-tillämpning.

I läget för spänningstest kan du också fastställa och ställa in det bästa värdet för omkopplingsspänning för M3 Triac i de P266-tillämpningar som använder en-låghastighetskondensator.

För att kunna använda läget för spänningstest behöver du

- en P266-enhet som passar din kondensatorfläkttillämpning
- tillgång till den kondensator (och fläktmotor) som styrs av P266-enheten
- en fästbar amperemeter med 15 A-intervall (för att kontrollera omkopplingsströmförbrukningen när du bestämmer värdet för omkopplingsspänning)
- en isolerad sond för att hålla ned tryckknappen och ändra läget på DIP-brytarna

- en 24 VAC Class 2-strömkälla (**endast** för de P266-modeller som kräver en extern 24 VAC-strömkälla)
- en låghastighetskondensator (LSC) avpassad för fläktmotorn (**endast** för de P266-tillämpningar som använder en låghastighetskondensator).

Obs! Låghastighetskondensatorn ska ha samma spänningsområde och kapacitans (i mikrofarad) som motortillverkarens extrakondensator, men låghastighetskondensatorns kapacitans får inte överskrida 15 mikrofarad.

Ställa in läget för spänningstest

Innan du startar P266-enheten och aktiverar läget för spänningstest ska du göra följande:

1. Läs igenom och följ anvisningarna och procedurerna i avsnitten Montering och Kabeldragning.
2. Montera och dra kablarna på P266-enheten i kondensatortillämpningen och ta hänsyn till följande extra anvisningar:
 - Läs vad som står på etiketten på insidan av locket till P266-enheten där det finns modellspecifik information om kabeldragning. I Kabeldragning beskrivs alternativ för kabeldragning.
 - Anslut extra- och huvuddragningarna enligt motortillverkarens anvisningar och kraven för tillämpningen. Dela upp dragningarna (vid ledningarna) och slå på strömmen till dem separat, om det går att använda delad dragning för tillämpningen och motorn. Se Figur 3 och Figur 4.
 - Om tillämpningen använder en valfri låghastighetskondensator ansluter du låghastighetskondensatorn till M3 Triac och motorn **endast** efter att du har kontrollerat och registrerat strömförbrukningen vid högsta läget. Se Fastställa värdet för omkopplingsspänning.
 - Om P266-enheten kräver en extern 24 VAC-strömkälla för driften ansluter du den strömkällan till enheten. (Information om krav för extern strömkälla finns på etiketten på insidan av locket till P266-enheten.)
 - Du behöver **inte** ansluta eller sätta på strömmen till P266-omvandlaren eller belasta kondensatorn för att driva en P266-enhet i läget för spänningstest. I läget för spänningstest kan du använda DIP-brytarna för att ställa in spänningen till motorn från P266-enheten.

3. Ställ in P266-enheten och kondensatorfläktmotorn för den avsedda driften genom att ställa in de värden och lägen som behövs för tillämpningen. Procedurerna beskrivs i Konfiguration och inställningar.

Fastställa värdet för omkopplingsspänning

I läget för spänningstest kan du också fastställa och ställa in värdet för omkopplingsspänning för de P266-tillämpningar som använder en valfri låghastighetskondensator. Så här fastställer du värdet för omkopplingsspänning:

1. Montera, dra kablarna och ställ in P266-enheten och kondensatorfläktmotorn för drift i läget för spänningstest. Se Ställa in läget för spänningstest.

Obs! Du ska **inte** ansluta låghastighetskondensatorn förrän i steg 6 i den här proceduren.

2. Ställ in alla DIP-brytare utom brytare 1 på läge ON. Ställ in brytare 1 på OFF.
3. Koppla på nätspänningen till P266-enheten (och den externa 24 VAC-strömkällan till de modeller som kräver en sådan). Inom 30 sekunder efter att du har slagit på strömmen trycker du ned och släpper upp tryckknappen tre gånger. LED-lampan slocknar och fläktmotorn accelererar till maxfart (95 % eller 97 % av maxspänningen) och stannar kvar på maxspänningen i upp till fem minuter.
4. Vid maxspänningen använder du en fästbar amperemeter för att kontrollera strömförbrukningen (i ampere) för fläktmotorns extradragningar och registrera extradragningarnas strömförbrukning för motorn vid maxspänningen.
5. Koppla från nätspänningen till P266-enheten (och den externa 24 VAC-strömkällan från de modeller som kräver en sådan).
6. Anslut låghastighetskondensatorn till M3 Triac och motorns extradragningar. (I Figur 3 och Figur 4 beskrivs anslutningsalternativ för M3 Triac.)
7. Ställ in alla DIP-brytare utom brytarna 8 och 32 i läge OFF. Ställ in brytarna 8 och 32 i läge ON. (8 + 32 = 40 % av det maximala spänningsvärdet.)
8. Koppla på nätspänningen till P266-enheten (och den externa 24 VAC-strömkällan till de modeller som kräver en sådan). Inom 30 sekunder efter att du har slagit på strömmen trycker du ned och släpper upp tryckknappen tre gånger. LED-lampan slocknar och fläktmotorn accelererar till hastigheten vid 40 % av den maximala spänningen (i upp till fem minuter).

9. Vid 40 % maxspänningen använder du en strömtång (tångampereometer) för att kontrollera strömförbrukningen (i ampere) för fläktmotorns extradragningar som är anslutna till båda kondensatorerna och registrera extradragningarnas strömförbrukning vid 40 % av maxspänningen.
10. Upprepa Steg 7 men öka procenten spänning med 8 %, upprepa sedan Steg 8, Steg 9 och Steg 10 vid de ökade spänningsvärdena tills strömförbrukningen är lika med den strömförbrukning (maxspänning) som registrerades i Steg 4.

Obs! Om motorn stannar eller inte körs som den ska, minskar du spänningsvärdet på DIP-brytarna med 4 % och testar motorns drift.

11. DIP-brytarens spänningsvärde är nu lika med den högsta spänningen för låghastighetsläget eller värdet för omkopplingsspänning.
12. Tryck på och håll ned tryckknappen tills LED-lampan blinkar tre gånger och släpp sedan upp knappen. Värdet för omkopplingsspänning har nu ställts in och sparats på P266-enheten.
Obs! Om du även vill fastställa och ställa in värdet för startspänning för P266-enheten och motorn kan du gå direkt till Steg 3 i proceduren Fastställa värdet för startspänning.
13. Koppla från strömmen till P266-enheten och ställ in alla DIP-brytare i läge ON för att inaktivera användning av tryckknappen.
14. Anslut strömmen till P266-enheten igen för att återgå till normal styrning av motorns hastighet.

Fastställa värdet för startspänning

I läget för spänningstest kan du också fastställa och ställa in värdet för startspänning för P266-tillämpningen.

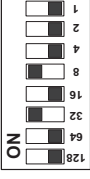
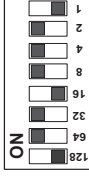
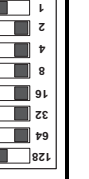

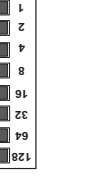




Så här fastställer du och ställer in värdet för startspänning:

1. Montera, dra kablarna och ställ in P266-enheten och kondensatorfläktmotorn för drift i läget för spänningstest. Se Ställa in läget för spänningstest.

Obs! Om tillämpningen använder läget för delad dragning och läget för låghastighetskondensator ska du dra kablarna för delad dragning och låghastighetskondensatorn enligt tillämpningens krav (Figur 3A och Figur 4A).

2. Koppla på nätspänningen till P266-enheten (och den externa 24 VAC-strömkällan till de modeller som kräver en sådan). Inom 30 sekunder efter att du har slagit på strömmen trycker du ned och släpper upp tryckknappen tre gånger. LED-lampan slocknar.
3. Placera DIP-brytarna så att det totala värdet av brytarna som placeras i läge ON motsvarar ett procentvärde som är lika med eller något högre än det uppskattade värdet för startspänning. (Om du till exempel uppskattar att startspänningen för motorn ska vara 25 % av den totala spänningen placerar du brytarna 16, 8, 4 och 2 på ON. $16 + 8 + 4 + 2 = 30$ %, vilket är något högre än din uppskattning på 25 %.) Fläktmotorn accelererar till hastigheten som är 30 % av maxspänningen och håller sedan den hastigheten.
4. Observera hur fläktmotorn går och fastställ om startspänningen kör motorn med önskad starthastighet:
 - Om starthastigheten och motordriften uppfyller tillämpningens krav går du vidare till Steg 5.
 - Om starthastigheten eller driften inte uppfyller tillämpningens krav går du tillbaka till Steg 3 och ställer in ett nytt uppskattat värde för startspänning för att generera önskad starthastighet för motorn.
5. När motorn körs med önskad starthastighet (värdet för startspänning) trycker du på och håller ned tryckknappen tills LED-lampan blinkar två gånger i följd, och släpper sedan upp knappen. Värdet för startspänning har nu ställts in och sparats på P266-enheten.
6. Koppla från strömmen till P266-enheten och ställ in alla DIP-brytare i läge ON för att inaktivera användning av tryckknappen.
7. Anslut strömmen till P266-enheten igen för att återgå till normal styrning av motorns hastighet.

Tabell 2: Exempel på sekvenser med LED-blinkningar, inställningsvärden, lägesinställningar på blocket med DIP-brytare samt standardvärden och lägesinställningar

Släpp upp tryckknappen efter...	Värde/läge (binärt brytarnummer)	Värdeintervall/ lägesinställningar (exempel på standardinställningar)	Brytarnummer och läge Beskrivning av värdet/inställningen	Exempel på standardinställningar för blocket med DIP-brytare
Två blinkningar	Låghastighetsläge (Brytare 128)	Inställningar: ON eller OFF (standardinställning: OFF)	Brytare 128 på OFF = Ingen spänning till motorn när det avlästa trycket ligger under starttrycket. Brytare 128 på ON = Startspänning till motorn när det avlästa trycket ligger på eller under starttrycket.	
	Värde för startspänning (Brytarna 1 till 64)	Värdeintervall: 10 till 90 (standardvärde: 40)	Placera brytarna 1 till 64 i läge ON eller OFF så att summan av brytarna som ställs in på ON är lika med värdet för startspänning.	
Tre blinkningar	Värde för starttryck (Brytarna 1 till 128)	Värdeintervall: 10 till 230 (standardvärde: 110)	Placera brytarna 1 till 128 i läge ON eller OFF så att summan av brytarna som ställs in på ON är lika med värdet för starttryck.	
Fyra blinkningar	Värde för sluttryck (Brytarna 1 till 128)	Värdeintervall: [Starttryck + 8] till 240 (standardvärde: 129)	Placera brytarna 1 till 128 i läge ON eller OFF så att summan av brytarna som ställs in på ON är lika med värdet för sluttryck.	
Fem blinkningar (Brytare 64 och 128 i läge OFF)	Läge för delad dragning (Brytare 32)	Inställningar: ON eller OFF (standardinställning: OFF)	Brytare 32 på ON = M2 Triac aktiverad till att ge ström till delade dragningar. Brytare 32 på OFF = M2 Triac är inaktiverad.	
	Läge för slutspänning (Brytare 16)	Inställningar: ON eller OFF (standardinställning: OFF)	Brytare 16 på ON = Skickar 95 % av P266-inspänningen till motorn. Brytare 16 på OFF = Skickar 97 % av P266-inspänningen till motorn.	
	Algoritm för digital scrollkompressor (Brytare 8)	Inställningar: ON eller OFF (standardinställning: OFF)	Brytare 8 på ON = digital scrollalgoritm är aktiverad. Brytare 8 på OFF = digital scrollalgoritm är inaktiverad.	
	Läge för låghastighetskondensator (Brytare 4)	Inställningar: ON eller OFF (standardinställning: OFF)	Brytare 4 på ON = Låghastighetskondensator finns. Brytare 4 på OFF = Låghastighetskondensator finns inte.	
	Antal extra fläktsteg (Brytarna 1 och 2)	Inställningar: ON eller OFF (standardinställning: OFF - OFF)	Placera brytarna 1-OFF och 2-OFF om inga extra fläktar finns. Placera brytarna 1-ON och 2-OFF för extra fläkt 1. Placera brytarna 1-OFF och 2-ON för extrafläktarna 1 och 2. Placera brytarna 1-ON och 2-ON för extrafläktarna 1, 2 och 3.	
Sex blinkningar (Brytare 128 på OFF)	Överlappning med extra fläkt (Brytarna 1 till 64)	Värdeintervall: 1 till 90 (standardvärde: 10)	Placera brytarna 1 till 64 i läge ON eller OFF så att summan av brytarna som ställs in på ON är lika med värdet för överlappning med extra fläkt.	
Sju blinkningar (Brytare 128 på OFF)	Värde för omkopplingsspänning (Brytare 1 till 64)	Värdeintervall: 10 till 80 (standardvärde: 60)	Placera brytarna 1 till 64 i läge ON eller OFF så att summan av brytarna som ställs in på ON är lika med värdet för omkopplingsspänning.	

P266-omvandlare för elektriskt tryck

P266-enheterna refererar antingen till en eller två P266-omvandlare för elektriskt tryck från Johnson Controls som övervakar kondensatortrycket.

P266-omvandlarna är specialiserade versioner av omvandlarna för elektriskt tryck i P499-serien som är anpassade för användning tillsammans med P266-enheterna. I Tabell 3 beskrivs vilka modeller av P266-omvandlaren som finns.

Obs! I P266-tillämpningar som använder två P266-omvandlare refererar P266-enheten alltid till den omvandlare som registrerar det högsta trycket.

VIKTIGT! När två P266-omvandlare är anslutna till en P266-enhet måste omvandlarna vara av samma modell (ha samma produktkod). Om samma P266-omvandlarmodeller inte ansluts till P266-enheten fungerar kanske inte enheten korrekt.

Information om hur du installerar P266-omvandlare finns i *P499 Series Electronic Pressure Transducers Product/Technical Bulletin (LIT-12011190)*.

Tabell 3: P266SNR-omvandlare för elektriskt tryck

Produktkod	Beskrivning
P266SNR-1C	Omvandlare för elektriskt tryck: 0 till 35 bar (0 till 508 psi) totalt intervall med en 1/4 tums SAE-flänskoppling (hona) och en tvåmeterskabel.
P266SNR-2C	Omvandlare för elektriskt tryck: 0 till 52 bar (0 till 754 psi) totalt intervall med en 1/4 tums SAE-flänskoppling (hona) och en tvåmeterskabel.

Tekniska specifikationer

P266xxx-x fläkthastighetskontroll med enfaskondensator

Ingående strömkälla	208/240 VAC 50/60 Hz, 380/460 VAC 50/60 Hz eller 480/575 VAC 50/60 Hz beroende på modell. (Information om spänningsområde och ett modellspecifikt kopplingsschema finns på etiketten på insidan av locket till P266-enheten.)
Klassificering av kortslutningsström	Lämplig för en krets som kan leverera maximalt 5 000 A RMS symmetrisk ström, maximalt 600 volt och är skyddad av en klass H-säkring.
Lågspänningsströmkälla	P266A, P266B och P266C: Extern 24 VAC Class 2-transformator, 20 VA P266Exx: Lågspänningsström för P266-enheten tillhandahålls av en inbyggd transformator. Obs! När startmotorer för extrafläktar ansluts till P266E-enheterna måste du tillhandahålla en extern AC-strömkälla av typen Safety Extra-Low Voltage (SELV) för att förse startmotorerna med ström (Figur 2).
Driftförhållanden	Temperatur: -40 till +60 °C Luffuktighet: Upp till 95 % relativ luffuktighet (icke kondenserande) och maximalt +29 °C daggpunkt
Leverans- och förvaringsförhållanden	Temperatur: -40 till +85 °C Luffuktighet: Upp till 95 % relativ luffuktighet (icke kondenserande) och maximalt +29 °C daggpunkt
Lågspänningsanslutningar	1/4 tums Quick-Connect-kontakter, 30 m maximal kabellängd
Ingående omvandlare	P266SNR-x tryckomvandlare: 5 VDC för 0,5 till 4,5 VDC analog signal för kvotmätare
Typ av kåpa	NEMA 3R, IP54
Hölje	Aluminiumfärgad gjutning
Lock	UV-stabiliserad polykarbonat

P266xxx-x fläkthastighetskontroll med enfaskondensator

Mått (HxBxD)	159 x 177 x 70 mm
Vikt	Tyngsta modellvikt: 1,0 kg. Ungefärlig förpackningsvikt: 1,2 kg.
Överensstämmelse	Europa: Märkning: CE-överensstämmande; CENELEC EN 60947-1 & 4-2; RoHS-direktivet (2002/95/EG); WEEE-direktivet (2002/96/EG)
	Nordamerika: cULus File 244421; FCC-överensstämmande med CFR 47, Part 15, Subpart B, Class B Industry Canada (IC)-överensstämmande med kanadensiska ICES-003, Class B-gränser
	Australien: C-Tick-överensstämmande (N1813)

Specifikationerna av kapaciteten är nominella och överensstämmer med godtagbara branschstandarder. Kontakta det lokala Johnson Controls-kontoret vid driftförhållanden som skiljer sig från dessa. Johnson Controls, Inc. kan inte hållas ansvarigt för skador som uppstår till följd av felaktig användning av dess produkter.

United States Emissions-överensstämmande (FCC)

Den här utrustningen har testats och funnits överensstämma med gränserna för en digital enhet av Class B, enligt Part 15 i FCC-reglerna. Dessa gränser ger ett godtagbart skydd mot skadlig störning i en installation i bostadsmiljö. Den här utrustningen genererar, använder och kan utstråla radiofrekvenser och kan, om den inte installeras och används enligt anvisningarna, störa radiokommunikation. Det finns emellertid ingen garanti för att störningarna inte uppstår i en viss installation. Om utrustningen stör radio- eller tv-mottagningen, vilket kan undersökas genom att stänga av och sätta på utrustningen, bör användaren försöka korrigera störningen på ett eller flera av följande sätt:

- Ändra riktning på eller flytta mottagningsantennen.
- Öka avståndet mellan utrustningen och mottagaren.
- Ansluta utrustningen till ett uttag på en annan krets än den som mottagaren är ansluten till.
- Be handlaren eller en erfaren radio-/tv-tekniker om hjälp.

Canadian Emissions-överensstämmande

Den här digitala enheten av Class (B) uppfyller alla krav enligt Canadian Interference-Causing Equipment Regulations.



Building Efficiency

507 E. Michigan Street, Milwaukee, WI 53202

Johnson Controls/PENN® är registrerade varumärken som tillhör Johnson Controls, Inc.

Alla övriga märken som nämns i det här dokumentet tillhör respektive företag. © 2010 Johnson Controls, Inc.

Regulátor otáček ventilátoru řady P266 s jednofázovým kondenzátorem

Pokyny k instalaci

P266xxx-x

Č. dílu 24-7664-2705, rev. D
Datum vydání: 27. srpen 2010
Nahrazuje vydání z 8. dubna 2010

Použití

DŮLEŽITÉ: Tento regulátor otáček ventilátoru řady P266 s jednofázovým kondenzátorem používejte pouze jako provozní regulátor. V systémech, kde by v důsledku selhání nebo poruchy regulátoru otáček ventilátoru řady P266 mohlo dojít ke zranění osob nebo k poškození ovládaných zařízení nebo jiného majetku, musí být do řídicího systému zařazena přídavná bezpečnostní zařízení. Nainstalujte do systému další zařízení, jako jsou například kontrolní (řídící) či výstražné systémy nebo bezpečnostní či řídicí prvky monitorující mezní hodnoty, s cílem upozornit či zabránit selhání nebo poruše regulátoru otáček ventilátoru řady P266.



UPOZORNĚNÍ: Nebezpečí škody na majetku

S regulátorem řady P266 používejte pouze jednofázové motory s trvale připojeným kondenzátorem (PSC) schválené výrobcem pro použití k regulaci rychlosti. Pokud nebude použit jednofázový motor s PSC, může dojít k poškození motoru a dalším škodám na majetku.

Regulátor otáček ventilátoru řady P266 s jednofázovými kondenzátory je ekonomicky efektivní, kompaktní, odolný-vůči počasí a trvanlivý regulátor rychlosti pro jednofázové PSC motory, používané v rozmanitých variantách nízkorozsahového chlazení a použitích v kondenzátorech klimatizací.

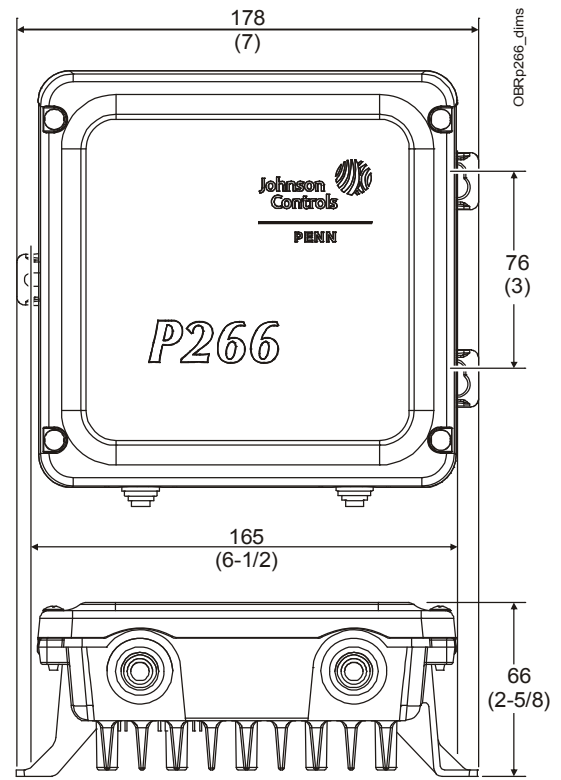
Regulátory otáček ventilátoru řady P266 jsou navrženy tak, aby nahradily regulátory otáček ventilátoru Johnson Controls® řady P66 a P215 a poskytovaly dodatečné vlastnosti a flexibilitu použití.

Montáž

Doporučení k umístění

Při umístění a připevňování regulátoru otáček ventilátoru řady P266 se řiďte těmito pokyny:

- Ujistěte se, že podklad pro připevnění a montážní příslušenství jsou schopny nést regulátor i kabeláž.



Obrázek 1: Montážní rozměry regulátoru otáček
Rozměry pro připevnění regulátoru otáček ventilátoru, mm (palce)

- Regulátor řady P266 upevněte kolmo na svislý povrch se svisle orientovanými žebry chladiče s průchodkami/otvory pro elektrické vodiče směřujícími dolů.
- Ujistěte se, že skrz žebra chladiče může proudit vzduch a zajistěte minimální prostor 10 cm okolo chladiče.
- Regulátor řady P266 upevněte v místě bez zdrojů nadměrného tepla a s udanými provozními podmínkami prostředí. Okolní provozní podmínky viz *Technické údaje*.

Zapojení

Viz schéma zapojení konkrétních modelů umístěné na vnitřním štítku regulátoru řady P266. Při zapojování regulátoru otáček ventilátoru řady P266 se navíc řiďte těmito pokyny:



VAROVÁNÍ: Nebezpečí zasažení elektrickým proudem.

Před instalací elektrických vodičů odpojte nebo vypněte veškeré zdroje elektrického proudu. K úplnému odpojení zařízení od elektrického proudu bude pravděpodobně nutné provést více úkonů odpojení. Kontakt se součástmi, které jsou pod napětím, může způsobit zasažení elektrickým proudem a vážný úraz nebo smrt.

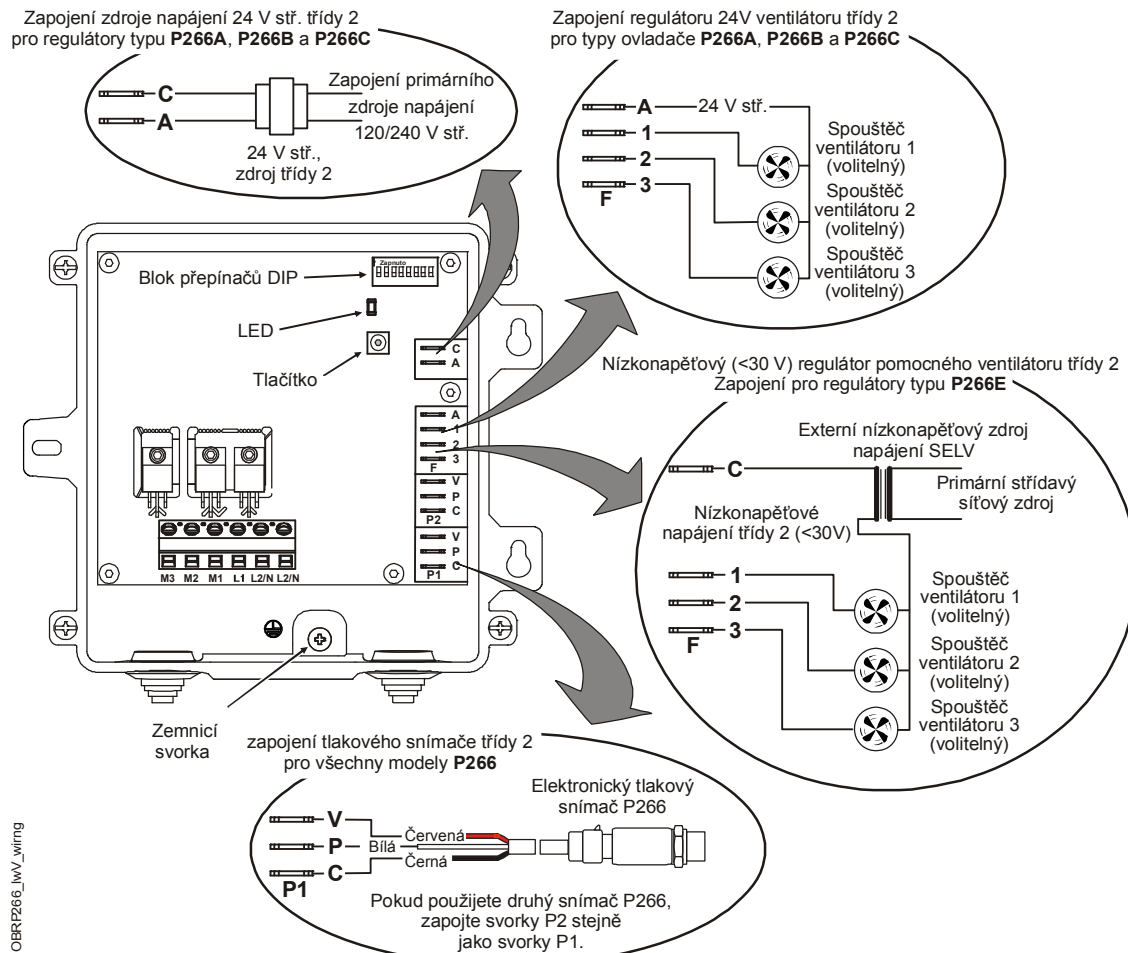
DŮLEŽITÉ: Před dokončením zapojování a kontrolou všech připojených konektorů nepřipojujte regulátor otáček ventilátoru řady P266 ke zdroji napájení. Zkratované nebo nesprávně připojené kabely mohou způsobit poškození regulátoru P266 a ztrátu platnosti záruky.

DŮLEŽITÉ: Nepřekračujte jmenovité elektrické hodnoty regulátoru otáček ventilátoru řady P266. Překročení jmenovitých elektrických hodnot regulátoru řady P266 může způsobit trvalé poškození regulátoru a ztrátu platnosti záruky.

DŮLEŽITÉ: Používejte pouze měděné vodiče 60/75 C. Všechna zapojení proveďte v souladu s místními, národními a regionálními předpisy.

DŮLEŽITÉ: Součásti regulátoru P266 může poškodit elektrostatický výboj. Chcete-li předejít poškození součástí P266, používejte během instalačních a servisních činností vhodná opatření proti elektrostatickým výbojům (ESD).

- Ujistěte se, že délka kabelů mezi regulátorem řady P266 a motorem ventilátoru nepřekračuje 15 m.
- Kabely připojené ke svorkovnici se síťovým napětím musí mít průřez 3,31 mm² (12 AWG) nebo menší.
- Nízkonapěťové kabely musí být kratší než 30 m.



Obrázek 2: Fyzikální vlastnosti a nízkonapěťové zapojení regulátoru řady P266

Nízkonapěťové zapojení

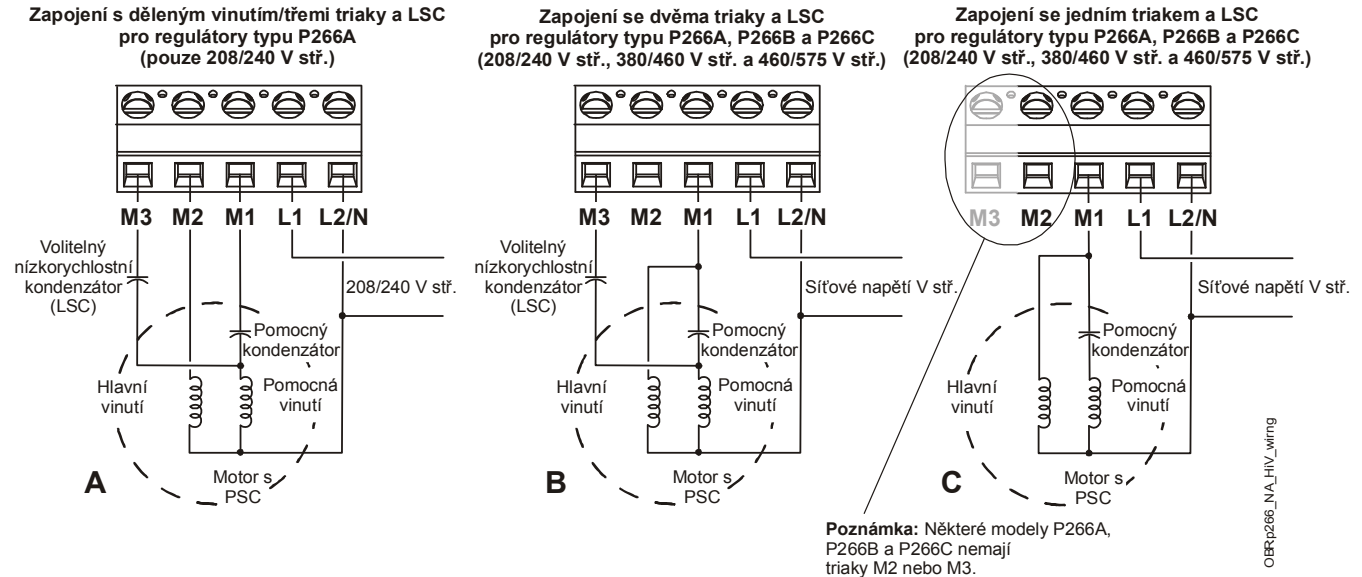
Obrázek 2 znázorňuje funkce regulátoru řady P266 pod krytem skříňe a schémata nízkonapěťových zapojení pro modely regulátoru P266A, P266B, P266C a P266E.

Vysokonapěťové zapojení

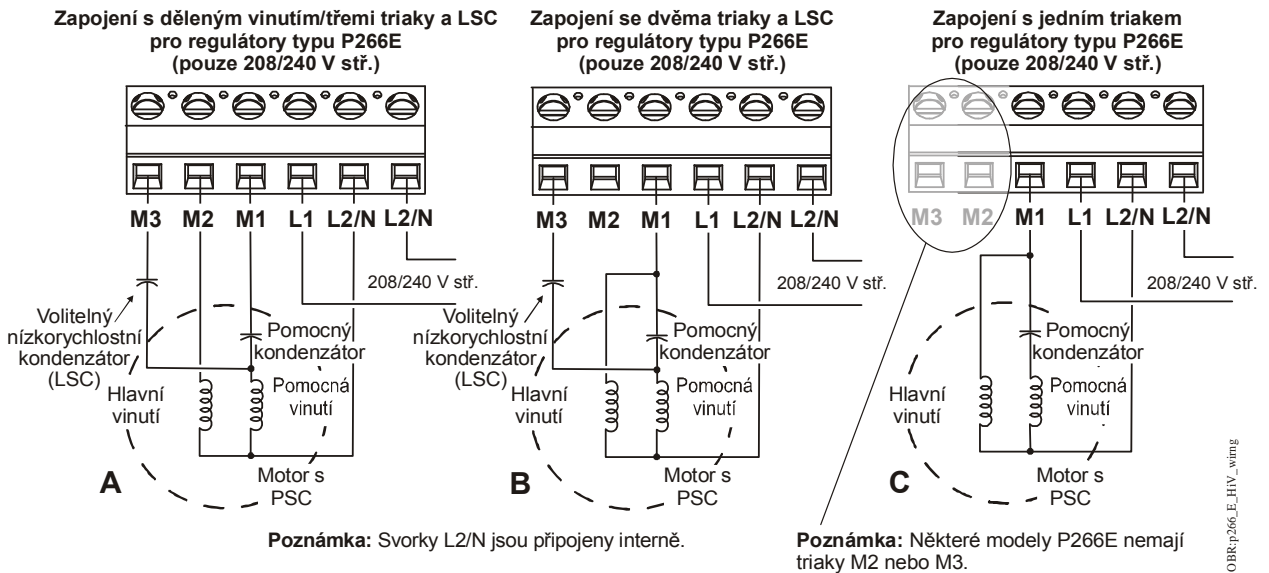
Obrázek 3 znázorňuje schémata vysokonapěťových zapojení pro modely regulátoru P266A, P266B a P266C. Obrázek 4 znázorňuje schémata vysokonapěťových zapojení pro modely regulátoru P266E.

DŮLEŽITÉ: Aby regulátor řady P266 splnil limity vysokofrekvenčních rušivých emisí podle předpisů FCC a normy IEC (třída B), musí být svorka L2/N připojena k síťovému napětí.

Chcete-li zjistit možnosti dostupných vysokonapěťových zapojení pro modely regulátoru P266A, P266B, P266C a P266E, použijte tabulku Tabulka 1.



Obrázek 3: Možnosti vysokonapěťového zapojení pro typy regulátoru P266A, P266B a P266C



Obrázek 4: Možnosti vysokonapěťového zapojení pro typ regulátoru P266E

Tabulka 1: Volby vysokonapěťových zapojení a rozsahy napětí typů produktu

Typové číslo výrobku	Dělené vinutí/ třítriakové s nízkorychlostním zapojením kondenzátoru	Dvoutriakové s nízkorychlostním kondenzátorem			Jednotriakové zapojení		
		208/240 V stř.	208/240 V stř.	380/460 V stř.	460/575 V stř.	208/240 V stř.	380/460 V stř.
P266AA	Viz obrázek 3A	Viz obrázek 3B	--	--	Viz obrázek 3C	--	--
P266AB	Viz obrázek 3A	Viz obrázek 3B	--	--	Viz obrázek 3C	--	--
P266AC	--	--	--	--	Viz obrázek 3C	--	--
P266AD	--	--	--	--	Viz obrázek 3C	--	--
P266BC	--	--	--	--	--	--	Viz obrázek 3C
P266BD	--	--	--	--	--	--	Viz obrázek 3C
P266BG	--	--	--	Viz obrázek 3B	--	--	Viz obrázek 3C
P266BH	--	--	--	Viz obrázek 3B	--	--	Viz obrázek 3C
P266EA	Viz obrázek 4A	Viz obrázek 4B	--	--	Viz obrázek 4C	--	--
P266EB	Viz obrázek 4A	Viz obrázek 4B	--	--	Viz obrázek 4C	--	--
P266EC	--	--	--	--	Viz obrázek 4C	--	--
P266ED	--	--	--	--	Viz obrázek 4C	--	--
P266EE	--	--	--	--	Viz obrázek 4C	--	--
P266EF	--	--	--	--	Viz obrázek 4C	--	--
P266CH	--	--	Viz obrázek 3B	--	--	Viz obrázek 3C	--

Instalace a seřízení

Všechny regulátory řady P266 se dodávají s výchozími hodnotami a režimy nastavenými ve výrobním závodě. U většiny aplikací tyto výchozí hodnoty a režimy nevyžadují úpravy v místě použití.

Pokud způsob použití regulátoru řady P266 vyžaduje změnu hodnot nebo režimů nastavení, musíte:

1. Vypočítat nové hodnoty a určit nové režimy nastavení potřebné pro nový způsob použití. (Viz část Regulační hodnoty a režimy řady P266.)
2. Změnit stávající nastavení na regulátoru na nové hodnoty a režimy pomocí rozhraní pro nastavení regulátoru řady P266. (Viz část Hodnoty a režimy nastavení.)

Rozhraní pro nastavení regulátoru řady P266

Rozhraní pro nastavení regulátoru řady P266 sestává na bloku přepínačů DIP s osmi binárními přepínači, tlačítkovým přepínačem a zelenou světelnou diodou (LED) (obrázek 2). Přepnutím spínačů DIP a uložením nových nastavení můžete změnit výchozí tovární hodnoty a režimy nastavení. Počet bliknutí LED diod (ve sledu) udává hodnotu a/nebo režimy, které ukládáte. Více informací o sledech blikání LED diod, hodnotách a režimech viz Tabulka 2.

Během normálního provozu je zelená dioda LED rozsvícena. Pokud **stisknete a podržíte** tlačítko, LED dioda na 3 sekundy zhasne a poté dvakrát blikne. LED dioda poté znovu na 3 sekundy zhasne a třikrát blikne a pokračuje v tomto schématu dokud neblíkne sedmkrát nebo dokud neuvolníte tlačítko.

Každý sled bliknutí udává hodnotu nebo hodnotu a sadu nastavení režimů. Uvolněním tlačítka po proběhnutí požadovaného sledu bliknutí se provede uložení hodnoty a/nebo režimů, které jsou aktuálně nastaveny na bloku přepínačů DIP. Více informací viz Tabulka 2.

Po dokončení instalace přepněte všechny přepínače DIP do polohy ZAPNUTO a zablokujte tak používání tlačítka.

Regulační hodnoty a režimy řady P266

Regulátory řady P266 mají až deset hodnot a režimů (v šesti posloupnostech blikání), které je možno měnit v provozních podmínkách. Viz Tabulka 2 pro více informací o posloupnostech blikání a přiřazených hodnotách a režimech.

Počáteční hodnota napětí

Rozběhové napětí (V stř.) je napětí přiváděné regulátorem řady P266 do motoru ventilátoru pro dosažení minimálních otáček potřebných při konkrétním způsobu použití.

Hodnota rozběhového napětí je procentuálním podílem vstupního napětí regulátoru řady P266. Pro výpočet hodnoty rozběhového napětí pro daný způsob použití použijte následující vzorec.

$$\frac{\text{Rozběhové napětí (V stř.)}}{\text{Vstupní síťové napětí regulátoru P266 (V stř.)}} = \text{Hodnota rozběhového napětí (\%)}$$

Režim nízkého tlaku

Režim nízkého tlaku určuje, zda je motor ventilátoru zapnutý (při rozběhovém napětí/minimálních otáčkách) nebo vypnutý, pokud je tlak zjištěný snímačem ovladače P266 pod nastavenou hodnotou počátečního tlaku.

Hodnota počátečního tlaku

Počáteční tlak (psi nebo bar) je nastavená hodnota tlaku, při které regulátor řady P266 začne dodávat rozběhové napětí a spouští motor ventilátoru při minimálních otáčkách. **Hodnota Počátečního tlaku** je funkce nastavené hodnoty počátečního tlaku a rozsahu hodnot tlaku referenčního snímače P266. Pro výpočet hodnoty počátečního tlaku použijte následující vzorec. Viz Tabulka 3 pro rozsahy hodnot tlaku snímače P266.

$$\frac{\text{Nastavená hodnota rozběhového tlaku (bar nebo psi)}}{\text{Rozsah hodnot tlaku snímače P266 (bar nebo psi)}} \times 250 = \text{Hodnota rozběhového tlaku}$$

Hodnota koncového tlaku

Nastavená hodnota koncového tlaku je hodnota tlaku (bar nebo psi), při které regulátor řady P266 začne dodávat koncové napětí a motor ventilátoru běží maximálními otáčkami. **Hodnota Koncového tlaku** je funkce nastavené hodnoty koncového tlaku a celkového rozsahu hodnot tlaku referenčního snímače. Pro určení hodnoty koncového tlaku při daném způsobu použití použijte následující vzorec. Rozsahy hodnot tlaku snímače P266 najdete v tabulce Tabulka 3.

$$\frac{\text{Nastavená hodnota koncového tlaku (bar nebo psi)}}{\text{Rozsah hodnot tlaku snímače P266 (bar nebo psi)}} \times 250 = \text{Hodnota koncového tlaku}$$

Režim děleného vinutí

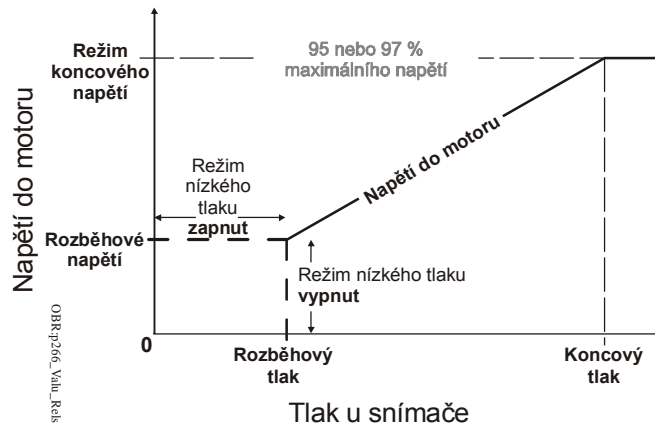
Některé jednofázové motory s PSC mají dělená vinutí tvořená vodiči motoru. Zapnutí režimu dělených vinutí umožňuje triaku M2 přivádět napětí do hlavních vinutí (a nikoli do pomocných vinutí), což zvyšuje účinnost motoru (obrázek 3A a obrázek 4A).

Poznámka: Režim rozdělených vinutí je dostupný pro **pouze 240 VAC jednofázové PSC motory, které mají rozdělená kabelová vedení vinutí**. Chcete-li zjistit, zda je daný motor možno zapojit tak, aby byl aktivován režim dělených vinutí, nahlédněte do pokynů výrobce pro instalaci motoru.

Režim kompresorů **Copeland Digital Scroll™** Režim digitálních spirálových kompresorů umožňuje používat regulátory řady P266 v systémech s digitálními spirálovými kompresory. Pokud při práci s digitálním spirálovým kompresorem nezapnete režim digitálního spirálového kompresoru, může dojít k oscilaci kondenzátoru.

Režim koncového napětí

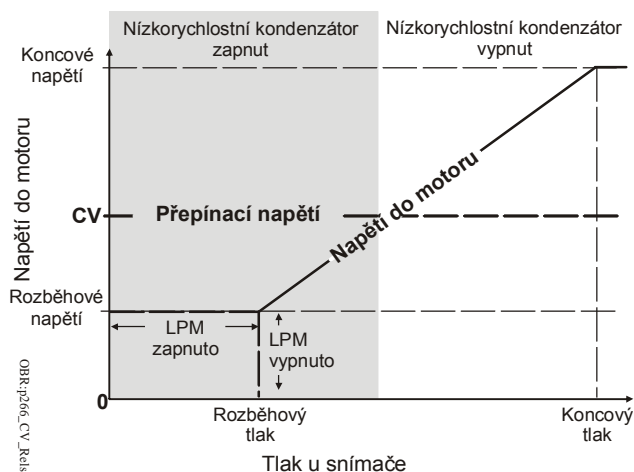
Koncové napětí je výstupní napětí regulátoru řady P266 (udávané jako procentuální podíl plného napětí), které je udržováno, je-li sledovaný tlak roven koncovému tlaku nebo větší než koncový tlak. Režim koncového napětí může být nastaven buď na 95 % nebo 97 % celkového vstupního napětí. Viz obrázek 5.



Obrázek 5: Vztah mezi proměnnými regulátoru otáček ventilátoru P266

Režim nízkorychlostního kondenzátoru

Při některých rychlostech ventilátoru může být nízkorychlostní kondenzátor (LSC) (dodávaný uživatelem) připojen ke triaku M3 regulátoru řady P266 a ovládaného ventilátoru motoru (obrázek 3 a obrázek 4). Nízkorychlostní kondenzátor se aktivuje při nízkých napětích, aby bylo dosaženo vyšší účinnosti a výkonu motoru ventilátoru. Je-li nízkorychlostní kondenzátor použit, aktivujte režim provozu s tímto kondenzátorem.



Obrázek 6: Provoz s nízkorychlostním kondenzátorem

Poznámka: Volitelný nízkorychlostní kondenzátor by měl mít shodné rozsahy napětí a hodnotu mikrofaradů s pomocným kondenzátorem dodávaným výrobcem, ale nesmí překročit hodnotu 15 mikrofaradů.

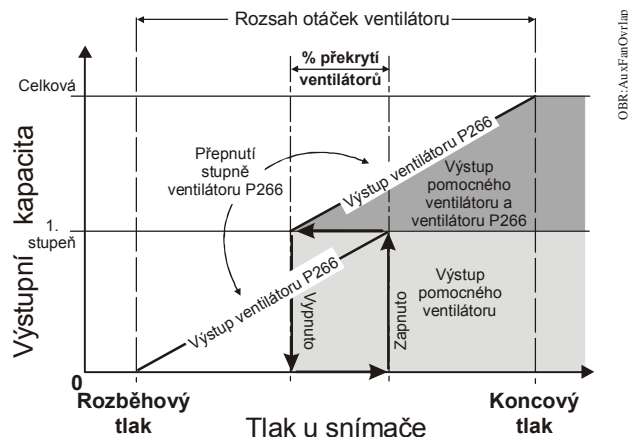
Poznámka: Rovněž musíte nastavit hodnotu přechodového napětí pokud je nízkorychlostní kondenzátor použit v daném využití regulátoru řady P266. Více informací o nastavení hodnoty přepínacího napětí viz části Hodnota přepínacího napětí a Určování hodnoty přepínacího napětí.

Režim s pomocnými stupni ventilátoru

Regulátor řady P266 můžete nastavit do režimu, který umožňuje střídavé zapínání a vypínání až tří přidavných motorů ventilátoru (s pevnými otáčkami) nebo stupňů ventilátoru ve spojení s proměnnou rychlostí ventilátoru regulovanou regulátorem řady P266.

Pro ovládání pomocných spouštěčů motorů/stupňů ventilátoru mohou být připojeny tři nízkonapěťové obvody (obrázek 2). Viz Tabulka 2 pro informace o nastavení čísla pomocných větráků použitých v daném využití.

Obrázek 7 znázorňuje použití regulátoru řady P266 s jedním pomocným ventilátorem pracujícím ve spojení s ventilátorem s regulovanou rychlostí. Pokud zatížení kondenzátoru překročí výstupní výkon ventilátoru s regulovanou rychlostí, regulátor řady P266 zapne pomocný ventilátor a přepne ventilátor s regulovanou rychlostí (P266) na nový počáteční tlak.



Obrázek 7: Ventilátor s regulovanou rychlostí (P266) pracující s jedním pomocným (spínaným) stupněm ventilátoru v celém rozsahu tlaku

Hodnota překrytí pomocného ventilátoru

Hodnota překrytí pomocného ventilátoru určuje překrytí rozsahu tlaků (jako procentuální podíl z celkového [škrticího] rozsahu tlaku) mezi stupni ventilátoru nastavenými na regulátoru řady P266. Hodnota překrytí ventilátoru je stejná pro všechna nastavení pomocných stupňů ventilátorů na regulátoru.

Zvýšením hodnoty překrytí pomocného ventilátoru sníží četnost střídavého zapínání a vypínání pomocných ventilátorů a zvýší rozdíl tlaků mezi pomocnými stupni ventilátoru (čímž se zvýší rozsah tlaků každého pomocného stupně ventilátoru).

Poznámka: Pokud je regulátor řady P266 nastaven pro provoz bez pomocných ventilátorů, není hodnota překrytí pomocného ventilátoru použita. Viz Tabulka 2 pro informace o nastavení čísla pomocných větráků použitých v daném využití.

Hodnota přepínacího napětí

Hodnota přepínacího napětí udává napětí, při kterém regulátor řady P266 zapíná a vypíná triak M3 a nízkorychlostní kondenzátor (obrázek 6). Viz Určování hodnoty přepínacího napětí.

Hodnoty a režimy nastavení

Chcete-li změnit nastavení a hodnoty na regulátoru řady P266:

1. Určete nastavené body provozního tlaku (psi nebo bar), vstupní a výstupní napětí (V stř.) a další provozní režimy pro daná použití regulátorů chladičů motoru ventilátorů.
 2. Převeďte zvolené body nastavení tlaku (psi nebo bar) a cílová napětí (V stř.) na hodnoty regulátoru řady P266. Viz části Regulační hodnoty a režimy řady P266 a Tabulka 2.
 3. Přestavte spínače DIP pro nastavení nových hodnot nebo režimů. Viz Nastavení bloku přepínačů DIP.
 4. Stiskněte a přidržte tlačítko, dokud počet bliknutí LED diody neoznačí požadovanou hodnotu nebo sadu hodnot a/nebo nastavení režimu. Tlačítko pusťte **po**:
 - **dvou bliknutích** chcete-li uložit nastavení režimu nízkého tlaku a hodnotu rozběhového napětí
 - **třech bliknutí** chcete-li uložit hodnotu rozběhového napětí
 - **čtyřech bliknutí** chcete-li uložit hodnotu koncového tlaku
 - **pěti bliknutí** chcete-li uložit režimy nastavení, dělených vinutí, koncového napětí, režimu nízkorychlostního kondenzátoru a pomocných stupňů ventilátoru
 - **šesti bliknutí** chcete-li uložit hodnotu překrytí pomocného ventilátoru
 - **sedmi bliknutí** chcete-li uložit hodnotu přepínacího napětí
- Poznámka:** Pro více informací o hodnotách a režimech, které jsou spojeny s počtem bliknutí LED diod viz Tabulka 2
5. Pro další hodnotu a/nebo režim, který potřebujete změnit, opakujte kroky 3 a 4.
 6. Po uložení všech nových hodnot a režimů nastavení, nastavte všechny přepínače DIP do polohy zapnuto pro uzamčení funkce tlačítka.

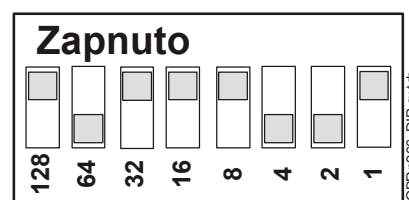
Nastavení bloku přepínačů DIP

Chcete-li nastavit nové hodnoty a režimy na přepínacím bloku DIP:

1. Přepněte všechny přepínače na bloku přepínačů DIP do polohy vypnuto.

2. Přepněte očíslované spínače do polohy zapnuto tak, že se součet čísel přepínačů (v poloze zapnuto) rovná požadovaným hodnotám nastavení. Začněte s přepínačem s nejvyšším možným číslem, které je menší než hodnota nastavení. (Například, pokud je požadovaná hodnota nastavení 185, přepněte na hodnotu zapnuto nejdříve přepínač 128. Poté přepněte na hodnotu zapnuto přepínač 32, následně 16, 8 a 1 [$128+32+16+8+1=185$] [obrázek 8]).

Režimy nastavení vyžadují přepnutí pouze jednoho nebo dvou přepínačů na bloku přepínačů DIP, v závislosti na režimu. Více informací o hodnotách a režimech, které jsou spojeny s počtem bliknutí LED diod, najdete v tabulce Tabulka 2.



Obrázek 8: Blok přepínačů DIP s přepínači v poloze pro hodnotu nastavení 185

DŮLEŽITÉ: Všechny přepínače na přepínacím bloku DIP musí být nastaveny do správných poloh pro dané použití před stlačením a uvolněním tlačítka pro uložení hodnot a/nebo režimů nastavení. Pro více informací o polohách přepínačů viz Tabulka 2.

Režim testovacího napětí

Režim testovacího napětí je nástroj pro nastavení a diagnostiku ve firmwaru regulátoru řady P266, který umožňuje testovat provoz chladiče motoru ventilátoru při různých hodnotách napětí v poli a určit optimální hodnotu rozběhového napětí pro dané použití regulátoru řady P266.

Režim testovacího napětí rovněž umožňuje určit a nastavit optimální hodnotu přepínacího napětí pro triak M3 v použitých regulátoru řady P266, které využívají nízkorychlostní kondenzátor.

Chcete-li použít režim testovacího napětí, potřebujete:

- model regulátoru řady P266, navržený pro dané použití kondenzátorů ventilátoru;
- přístup ke kondenzátoru (a motoru ventilátoru) řízený regulátorem řady P266;
- svorkový ampérmetr s rozsahem 15 A (pro kontrolu přepínacího proudu při určování hodnoty přepínacího napětí);

- izolovanou sondu pro stlačení tlačítka a změnu poloh přepínačů DIP;
- zdroj napájení 24 V stř. třídy 2 (**pouze** pro modely regulátoru řady P266, které vyžadují externí zdroj napájení 24 V stř.);
- nízkorychlostní kondenzátor (LSC), s velikostí pro motor ventilátoru (**pouze** pro použití regulátoru řady P266, které používají nízkorychlostní kondenzátory).

Poznámka: Kondenzátor LSC by měl mít shodný rozsah napětí i hodnotu v mikrofaradech s pomocným kondenzátorem výrobce motoru, nesmí však překročit hodnotu 15 mikrofaradů.

Nastavení režimu testovacího napětí

Před zapojením regulátoru řady P266 a spuštěním režimu testovacího napětí na regulátoru:

1. Si přečtete následující směrnice a postupy v částech Montáž a Zapojení.
2. Připevněte a zapojte regulátor řady P266 v daném použití kondenzátoru a prohlédněte si tyto dodatečné směrnice:
 - Detaily o zapojení konkrétního modelu viz nálepka uvnitř krytu skříně regulátoru řady P266. Pro různé možnosti zapojení viz Zapojení.
 - Zapojte pomocná a hlavní vinutí podle instrukcí výrobce motoru a požadavků daného využití. Pokud dané použití a motor dovoluje provoz s rozdělenými vinutími, rozdělte vinutí (v místě vedení vinutí) a napájejte je odděleně. Viz obrázek 3 a obrázek 4.
 - Pokud dané použití využívá volitelný nízkorychlostní kondenzátor, zapojte LSC ke triaku M3 a motoru **pouze** po kontrole a záznamu maximálního proudového odběru. Viz Určování hodnoty přepínacího napětí.
 - Pokud model regulátoru řady P266 vyžaduje externí zdroj napájení 24 V stř. pro provoz regulátoru, připojte napájení k regulátoru. (Detaily o požadavcích externího napájení viz nálepka zapojení uvnitř krytu skříně regulátoru řady P266.)
 - **Nemusíte** připojovat, zapojovat nebo napájet snímač P266, nebo zatěžovat kondenzátor pro spuštění regulátoru řady P266 v režimu testovacího napětí. Režim testovacího napětí umožňuje použít přepínače DIP pro nastavení dodávaného napětí regulátorem řady P266 k motoru.

3. Nastavte regulátor řady P266 a chladič motoru ventilátoru na zamýšlený provoz, nastavením požadovaných hodnot a režimů provozu pro dané použití chladiče ventilátoru. Pro postupy viz Instalace a seřízení.

Určování hodnoty přepínacího napětí

V režimu testovacího napětí můžete určit a nastavit optimální hodnotu přepínacího napětí v použitých regulátoru řady P266 které využívají volitelné nízkorychlostní kondenzátory. Chcete-li určit a nastavit hodnotu přepínacího napětí:

1. Připevněte, zapojte a nastavte regulátor řady P266 a chladič motoru ventilátoru pro provoz v režimu testovacího napětí. Viz část Nastavení režimu testovacího napětí.

Poznámka: Nezapojujte nízkorychlostní kondenzátory dříve než v kroku 6 tohoto postupu.

2. Nastavte všechny přepínače DIP kromě přepínače 1 do polohy zapnuto; přepínač 1 nastavte do polohy vypnuto.
3. Připojte k regulátoru řady P266 síťový napěťový zdroj (a externí zdroj napájení 24 V stř. na modelech které to vyžadují), poté během prvních 30 sekund po připojení zdroje třikrát stiskněte a uvolněte tlačítko. LED dioda se vypne a zůstane vypnutá a motor ventilátoru zvýší otáčky na maximum (na 95 nebo 97 % maximálního napětí) a zůstane na maximálním napětí po dobu až 5 minut.
4. Při maximálním napětí použijte svorkový ampérmetr pro kontrolu proudového odběru (v ampérech) pomocných vinutí motoru ventilátoru a zaznamenejte proudový odběr pomocných vinutí motoru při maximálním napětí.
5. Odpojte od regulátoru řady P266 síťový napájecí zdroj (a u modelů, které to vyžadují, i externí napájecí zdroj 24 V stř.).
6. Zapojte nízkorychlostní kondenzátor na triak M3 a pomocná vinutí motoru. (Možnosti zapojení triaku M3 najdete na obrázcích obrázek 3 a obrázek 4.)
7. Nastavte všechny přepínače DIP kromě přepínačů 8 a 32 do polohy vypnuto; přepínače 8 a 32 nastavte do polohy zapnuto. (8 + 32 = 40 % maximální hodnoty napětí.)
8. Připojte k regulátoru řady P266 síťový napěťový zdroj (a externí zdroj napájení 24 V stř. na modelech které to vyžadují), poté během prvních 30 sekund po připojení zdroje třikrát stiskněte a uvolněte tlačítko. LED dioda se vypne a zůstane vypnutá a motor ventilátoru zvýší otáčky na 40 % maximálního napětí (po dobu až 5 minut).

9. Při 40 % maximálního napětí pomocí svorkového ampérmetru zkontrolujte proudový odběr (v ampérech) pomocných vinutí motoru ventilátoru připojených k oběma kondenzátorům a zaznamenejte proudový odběr pomocných vinutí motoru při 40 % napětí.
10. Opakujte Krok 7, ale zvýšte hodnotu napětí o 8 %, poté opakujte Krok 8, Krok 9 a Krok 10 při zvýšených hodnotách napětí, dokud se proudový odběr nerovná proudovému odběru (při maximálním napětí), zaznamenanému v Krok 4.

Poznámka: Pokud se motor zastaví nebo neběží hladce, snižte hodnotu napětí na přepínačích DIP o 4 % a otestujte chod motoru.

11. Hodnota napětí určená přepínači DIP je nyní rovna maximálnímu napětí nízkorychlostního režimu nebo hodnotě přepínacího napětí.
12. Stiskněte a držte tlačítko, dokud LED dioda 3krát neblikne, poté tlačítko uvolněte. Hodnota přepínacího napětí je nastavena a uložena na regulátoru řady P266.
Poznámka: Pokud chcete, rovněž určete a nastavte hodnotu rozběhového napětí pro regulátor řady P266 a motor, můžete přejít přímo na Krok 3 postupu [Určení hodnoty rozběhového napětí](#).
13. Odpojte napájení regulátoru řady P266 a nastavte všechny přepínače DIP do polohy zapnuto pro uzamčení funkce tlačítka.
14. Pro obnovení standardní regulace otáček motoru znovu připojte k regulátoru řady P266 napájení.

Určení hodnoty rozběhového napětí

V režimu testovacího napětí můžete rovněž určit a nastavit hodnotu rozběhového napětí v daném použití regulátoru řady P266.

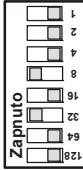
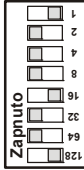
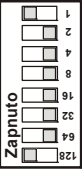
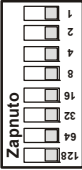

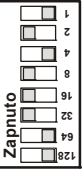
Chcete-li určit a nastavit hodnotu rozběhového napětí:

1. Připevněte, zapojte a nastavte regulátor řady P266 a chladič motoru ventilátoru pro provoz v režimu testovacího napětí. Viz část [Nastavení režimu testovacího napětí](#).

Poznámka: Pokud dané použití využívá režim dělených vinutí a režim nízkorychlostního kondenzátoru, zapojte dělená vinutí a nízkorychlostní kondenzátor podle požadavků daného použití (obrázek 3A a obrázek 4A).

2. Připojte k regulátoru řady P266 síťový napěťový zdroj (a externí zdroj napájení 24 V stř. na modelech které to vyžadují), poté během prvních 30 sekund po připojení zdroje třikrát stiskněte a uvolněte tlačítko. LED dioda se vypne a zůstane vypnutá.
3. Nastavte přepínače DIP tak, že celková hodnota zapnutých přepínačů je rovna hodnotě v procentech shodné nebo mírně vyšší, než je hodnota odhadovaného rozběhového napětí. (Pokud je například odhadované rozběhové napětí motoru 25 % celkového napětí, zapněte přepínače 16, 8, 4 a 2. $16 + 8 + 4 + 2 = 30 %$, což je o něco více než odhad daných 25 %.) Motor ventilátoru zvýší otáčky na 30 % maximálního napětí a tyto otáčky udrží.
4. Prohlédněte provoz motoru ventilátoru a určete, zda aplikované rozběhové napětí rozběhne motor na požadované počáteční otáčky:
 - Pokud počáteční otáčky a provoz motoru odpovídají požadavkům daného použití, přejděte na Krok 5.
 - Pokud počáteční otáčky nebo provoz neodpovídají požadavkům daného použití, vraťte se na Krok 3 a nastavte novou odhadovanou hodnotu rozběhového napětí pro vytvoření požadovaných počátečních otáček motoru.
5. Pokud motor běží na požadované rozběhové otáčky (hodnotu rozběhového napětí), stiskněte a držte tlačítko dokud LED dioda 2 krát neblikne a poté tlačítko uvolněte. Hodnota rozběhového napětí je nastavena a uložena na regulátoru řady P266.
6. Odpojte napájení regulátoru řady P266 a nastavte všechny přepínače DIP do polohy zapnuto pro uzamčení funkce tlačítka.
7. Pro obnovení standardní regulace otáček motoru znovu připojte k regulátoru řady P266 napájení.

Tabulka 2: Posloupnosti blikání diod LED, hodnoty nastavení, režimy nastavení na bloku přepínačů DIP, výchozí hodnoty a příklady režimů nastavení

Uvolněte tlačítko po...	Název hodnoty/ režimu (Číslo binárního přepínače)	Rozsah hodnot/režimy nastavení (Ukázkové výchozí hodnoty)	Číslo přepínače a poloha Popis hodnoty/nastavení	Blok přepínačů DIP – Ukázkové výchozí nastavení
Dvě bliknutí	Nízkorychlostní režim (Přepínač 128)	Nastavení: Zapnuto nebo vypnuto (Výchozí nastavení: Vypnuto)	Vypnutý přepínač 128 = Pokud je snímaný tlak nižší než rozběhový tlak, nejde žádné napětí k motoru. Zapnutý přepínač 128 = Pokud je snímaný tlak roven nebo nižší než rozběhový tlak, jde k motoru rozběhové napětí.	
	Hodnota rozběhového napětí (Přepínače 1 až 64)	Rozsah hodnot: 10 až 90 (Výchozí hodnota: 40)	Nastavte přepínače 1 až 64 na hodnotu zapnuto nebo vypnuto tak, že je součet přepínačů nastavených na hodnotu zapnuto roven hodnotě rozběhového napětí.	
Tři bliknutí	Hodnota počátečního tlaku (Přepínače 1 až 128)	Rozsah hodnot: 10 až 230 (Výchozí hodnota: 110)	Nastavte přepínače 1 až 128 na hodnotu zapnuto nebo vypnuto tak, že je součet přepínačů nastavených na hodnotu zapnuto roven hodnotě počátečního tlaku.	
Čtyři bliknutí	Hodnota koncového tlaku (Přepínače 1 až 128)	Rozsah hodnot: [Hodnota počátečního tlaku + 8] až 240 (Výchozí hodnota: 129)	Nastavte přepínače 1 až 128 na hodnotu zapnuto nebo vypnuto tak, že je součet přepínačů nastavených na hodnotu zapnuto roven hodnotě koncového tlaku.	
Pět bliknutí (Vypnuté přepínače 64 a 128)	Režim děleného vinutí (Přepínač 32)	Nastavení: Zapnuto nebo vypnuto (Výchozí nastavení: Vypnuto)	Zapnutý přepínač 32 = Zapnutý triak M2 pro napájení dělených vinutí. Vypnutý přepínač 32 = Triak M2 je vyřazený.	
	Režim koncového napětí (Přepínač 16)	Nastavení: Zapnuto nebo vypnuto (Výchozí nastavení: Vypnuto)	Zapnutý přepínač 16 = Poskytuje 95 % vstupního napětí k motoru P266. Vypnutý přepínač 16 = Poskytuje 97 % vstupního napětí k motoru P266.	
	Algoritmus pro digitální spirálové kompresory (Přepínač 8)	Nastavení: Zapnuto nebo vypnuto (Výchozí nastavení: Vypnuto)	Zapnutý přepínač 8 = Algoritmus pro digitální spirálové kompresory je zapnut. Vypnutý přepínač 8 = Algoritmus pro digitální spirálové kompresory je vypnut.	
	Režim nízkorychlostního kondenzátoru (Přepínač 4)	Nastavení: Zapnuto nebo vypnuto (Výchozí nastavení: Vypnuto)	Zapnutý přepínač 4 = Je dostupný nízkorychlostní kondenzátor. Vypnutý přepínač 4 = Není dostupný nízkorychlostní kondenzátor.	
	Počet pomocných stupňů ventilátoru (Přepínač 1 a 2)	Nastavení: Zapnuto nebo vypnuto (Výchozí nastavení: Vypnuto - Vypnuto)	Přepněte přepínače 1-vypnuto a 2-vypnuto pro běh bez pomocných ventilátorů. Přepněte přepínače 1-zapnuto a 2-vypnuto pro běh s pomocným ventilátorem 1. Přepněte přepínače 1-vypnuto a 2-zapnuto pro běh s pomocnými ventilátory 1 a 2. Přepněte přepínače 1-zapnuto a 2-zapnuto pro běh s pomocnými ventilátory 1, 2 a 3.	
Šest bliknutí (Vypnutý přepínač 128)	Překrytí pomocného ventilátoru (Přepínače 1 až 64)	Rozsah hodnot: 1 až 90 (Výchozí hodnota: 10)	Nastavte přepínače 1 až 64 na hodnotu zapnuto nebo vypnuto tak, že je součet přepínačů nastavených na hodnotu zapnuto roven hodnotě překrytí pomocného ventilátoru.	
Sedm bliknutí (Vypnutý přepínač 128)	Hodnota přepínacího napětí (Přepínače 1 až 64)	Rozsah hodnot: 10 až 80 (Výchozí hodnota: 60)	Nastavte přepínače 1 až 64 na hodnotu zapnuto nebo vypnuto tak, že je součet přepínačů nastavených na hodnotu zapnuto roven hodnotě přepínacího napětí.	

Elektronické tlakové snímače regulátoru P266

Regulátory řady P266 jsou navrženy pro podporu buď jednoho nebo dvou elektronických snímačů tlaku regulátoru Johnson P266 pro sledování tlaku kondenzátoru.

Snímače P266 jsou specializované verze elektronických snímačů tlaku řady P499, navržené pro použití s regulátory řady P266. Dostupné modely snímače P266 najdete v tabulce Tabulka 3.

Poznámka: Při použití regulátoru řady P266 využívajících dva snímače P266 preferuje regulátor řady P266 vždy snímač, který snímá vyšší tlak.

DŮLEŽITÉ: Pokud jsou k regulátoru řady P266 připojeny dva snímače P266, musí být oba stejného modelu (číslo kódu výrobku). Chybné připojení stejných modelů snímačů P266 k regulátoru řady P266 může vést k nestálému chování regulátoru.

Viz řady P499 elektronických snímačů tlaku výrobního/technického magazínu (LIT-12011190) pro informace o instalaci snímačů P266.

Tabulka 3: Elektronické snímače tlaku P266SNR

Číslo kódu výrobku	Popis
P266SNR-1C	Elektronický tlakový snímač: Celkový rozsah 0 až 35 barů se čtvrtpalcovou připojovací objímkou SAE a 2 metry kabelu.
P266SNR-2C	Elektronický tlakový snímač: Celkový rozsah 0 až 52 barů se čtvrtpalcovou připojovací objímkou SAE a 2 metry kabelu.

Technické údaje

Regulátor otáček ventilátoru řady P266xxx-x s jednofázovým kondenzátorem

Vstupní zdroj napětí	208/240 V stř. 50/60 Hz, 380/460 V stř. 50/60 Hz nebo 480/575 V stř. 50/60 Hz (podle modelu). (Jmenovitý napěťový rozsah a schéma zapojení daného modelu najdete na štítku uvnitř krytu regulátoru P266.)
Zkratovací proud	Vhodné pro obvody schopné dodat nejvíce 5 000 A rms symetricky, 600 V (při ochraně jističi třídy H)
Nízkonapěťový zdroj napájení	Typy P266A, P266B a P266C: Externí transformátorový zdroj 24 V stř. třídy 2, 20 VA Typy P266Exx: Nízkonapěťový zdroj proudu pro regulátor P266 je dodáván zabudovaným transformátorem. Poznámka: Pokud jsou startéry pomocných ventilátorů připojeny k regulátorům typu P266E je nutné dodat externí zdroj bezpečného střídavého extranízického napětí (SELV) pro napájení startérů ventilátoru (obrázek 2).
Okolní provozní podmínky	Teplota: -40 až 60 °C (-40 až 140 °F) Vlhkost: Až do 95% RV nekondenzující; maximální rosný bod 29 °C (85 °F)
Podmínky prostředí pro přepravu a skladování	Teplota: -40 až 85 °C (-40 až 185 °F) Vlhkost: Až do 95% RV nekondenzující; maximální rosný bod 29 °C (85 °F)
Nízkonapěťová připojení	1/4 palce. Svorky pro rychlé připojení, 30 m maximální délky zapojení
Vstupní snímač	Tlakový snímač P266SNR-x: 5 V ss. pro 0,5 až 4,5 V ss. podíl metrického analogového signálu
Závěrný typ	NEMA 3R, IP54
Konstrukce skříně	Hliníkový vstříkový odlitek
Konstrukce krytu	UV stabilizovaný polykarbonát

Regulátor otáček ventilátoru řady P266xxx-x s jednofázovým kondenzátorem

Rozměry (V x Š x H)	159 x 177 x 70 mm
Hmotnost	Hmotnost nejtěžšího modelu: 1,0 kg Přibližná hmotnost pro přepravu: 1,2 kg
Shoda s požadavky norem a směrnic	Evropa: Značka: CE vyhovující; CENELEC EN 60947-1 & 4-2; Nařízení RoHS (2002/95/EC); Nařízení WEEE (2002/96/EC) Severní Amerika: Soubor cULus 244421; FCC – kompatibilita CFR 47, oddíl 15, pododdíl B, třída B Industry Canada (IC) Ve shodě s kanadským předpisem ICES-003, omezení třídy B Austrálie: Kompatibilní s C-Tick (N1813)

Technické údaje jsou jmenovité a odpovídají přípustným průmyslovým normám. V případě aplikací, jejichž podmínky neodpovídají těmto údajům, se obraťte na společnost Johnson Controls, aplikované inženýrství, tel. (414) 524-5535. Společnost Johnson Controls, Inc. neodpovídá za škody vzniklé nesprávným použitím nebo nevhodným zacházením s jejími výrobky.

V souladu s normami emisí Spojených států (FCC)

Toto vybavení bylo testováno a shledáno vyhovující pro omezení digitálních zařízení třídy B, ve shodě s oddílem 15 pravidel FCC. Tato omezení jsou navržena k poskytování rozumné ochrany proti nebezpečným interferencím v obytných aparaturách. Toto vybavení vytváří, používá a může vyzařovat rádiovou frekvenční energii a, pokud není nainstalováno a používáno v souladu s instrukcemi, může způsobovat škodlivé interference v rádiových komunikacích. Nicméně není poskytována žádná záruka, že se v konkrétní instalaci interference neobjeví. Pokud toto vybavení způsobuje škodlivé interference příjmu rádia nebo televize, což je možné určit vypnutím a zapnutím vybavení, doporučuje se uživateli pokusit se upravit interferenci jednou nebo více z následujících metod:

- Přeorientujte nebo přemístěte přijímací anténu.
- Zvyšte prostor mezi vybavením a přijímačem.
- Připojte vybavení do zásuvky na jiném okruhu, než je připojen přijímač.
- Pro pomoc vyhledejte prodejce nebo zkušeného technika rádiových/televizních přístrojů.

V souladu s normami emisí Kanady

Tento digitální přístroj třídy (B) splňuje všechny požadavky předpisů o vybavení působícím-interference.



Building Efficiency

507 E. Michigan Street, Milwaukee, WI 53202

Johnson Controls/PENN® jsou registrované ochranné známky společnosti Johnson Controls, Inc.
Všechny ostatní uvedené ochranné známky jsou známkami příslušných vlastníků. © 2010 Johnson Controls, Inc.

Regulator prędkości jednofazowego wentylatora skraplacza z serii P266

Instrukcja instalacji

P266xxx-x

Nr części 24-7664-2705, wer. D

Wydano 27 Sierpień 2010

Zastępuje 8 kwietnia 2010

Zastosowanie

WAŻNE: Regulatora prędkości jednofazowego wentylatora skraplacza z serii P266 należy używać tylko jako regulatora sterowania. Jeśli awaria lub wadliwe działanie regulatora z serii P266 mogłoby doprowadzić do obrażeń ciała lub uszkodzenia sterowanego (względnie innego) urządzenia, w systemie sterowania należy zastosować dodatkowe środki ostrożności. W takim wypadku należy zainstalować i utrzymywać inne urządzenia, na przykład systemy nadzorcze lub alarmowe, regulatory zabezpieczające lub ograniczające, mające na celu ostrzeżenie albo zabezpieczenie przed awarią bądź wadliwym działaniem regulatora z serii P266.

PRZESTROGA: Ryzyko uszkodzenia mienia



Do sterowania prędkością wentylatora za pomocą regulatora z serii P266 należy używać tylko jednofazowych silników z kondensatorem pracy podłączonym podczas rozruchu (silniki PSC) zatwierdzonych przez producenta. Zastosowanie innego silnika niż jednofazowy silnik PSC może spowodować jego uszkodzenie lub uszkodzenie innego mienia.

Regulator prędkości jednofazowego wentylatora skraplacza z serii P266 jest ekonomicznym, kompaktowym, odpornym na warunki zewnętrzne i trwałym urządzeniem do sterowania prędkością jednofazowych silników PSC szeroko stosowanych w chłodnictwie i klimatyzacji.

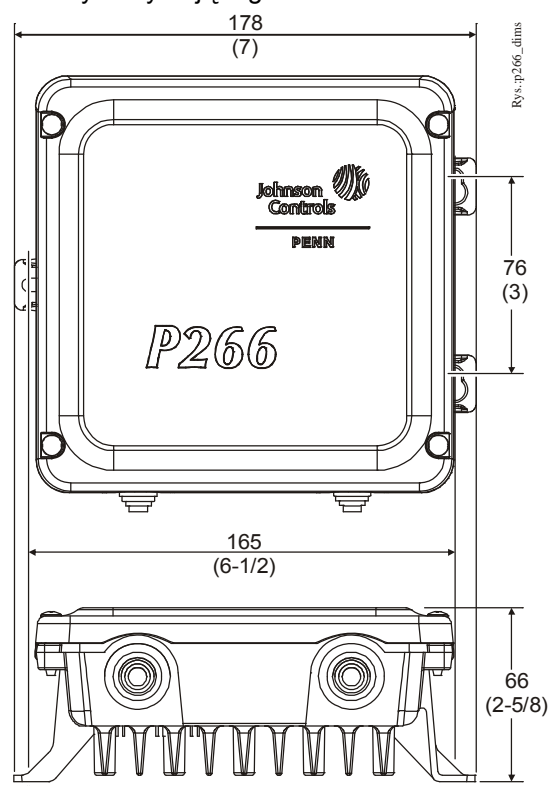
Regulatory prędkości wentylatora z serii P266 zostały zaprojektowane jako zamienniki regulatorów z serii P66 i P215 firmy Johnson Controls®. Charakteryzują się one dodatkowymi cechami i możliwościami zastosowania.

Montaż

Uwagi dotyczące lokalizacji

Umieszczając i montując regulatory prędkości wentylatora z serii P266, należy wziąć pod uwagę następujące wskazówki:

- Upewnić się, że powierzchnia montażu i użyte materiały utrzymają regulator i okablowanie.



Rysunek 1: Wymiary montażowe regulatora prędkości P266 jednofazowego wentylatora skraplacza w mm (cale)

- Zamontować regulator z serii P266 prostopadle na pionowej powierzchni w taki sposób, aby żeberka radiatora skierowane były pionowo, a otwory przewodów elektrycznych — w dół.
- Upewnić się, że powietrze może przepływać pomiędzy żeberkami radiatora i zapewnić co najmniej 10 cm luz wokół niego.
- Zamontować regulator z serii P266 z dala od źródeł silnego promieniowania cieplnego i w odpowiednich do pracy warunkach otoczenia. Zob. informacje dotyczące warunków pracy w sekcji *Dane techniczne*.

Okablowanie

Należy zobaczyć schemat okablowania danego modelu regulatora z serii P266 znajdujący się na wewnętrznej etykiecie i przy wykonywaniu jego okablowania stosować się do poniższych wskazówek:



OSTRZEŻENIE: Niebezpieczeństwo porażenia prądem elektrycznym.

Przed wykonaniem podłączenia elektrycznego należy odłączyć lub odizolować wszystkie źródła zasilania. Aby całkowicie odłączyć urządzenie od zasilania, może być konieczne wykonanie odłączenia lub izolacji w kilku miejscach. Dotknięcie elementów będących pod niebezpiecznym napięciem może spowodować porażenie i poważne obrażenia lub nawet śmierć.

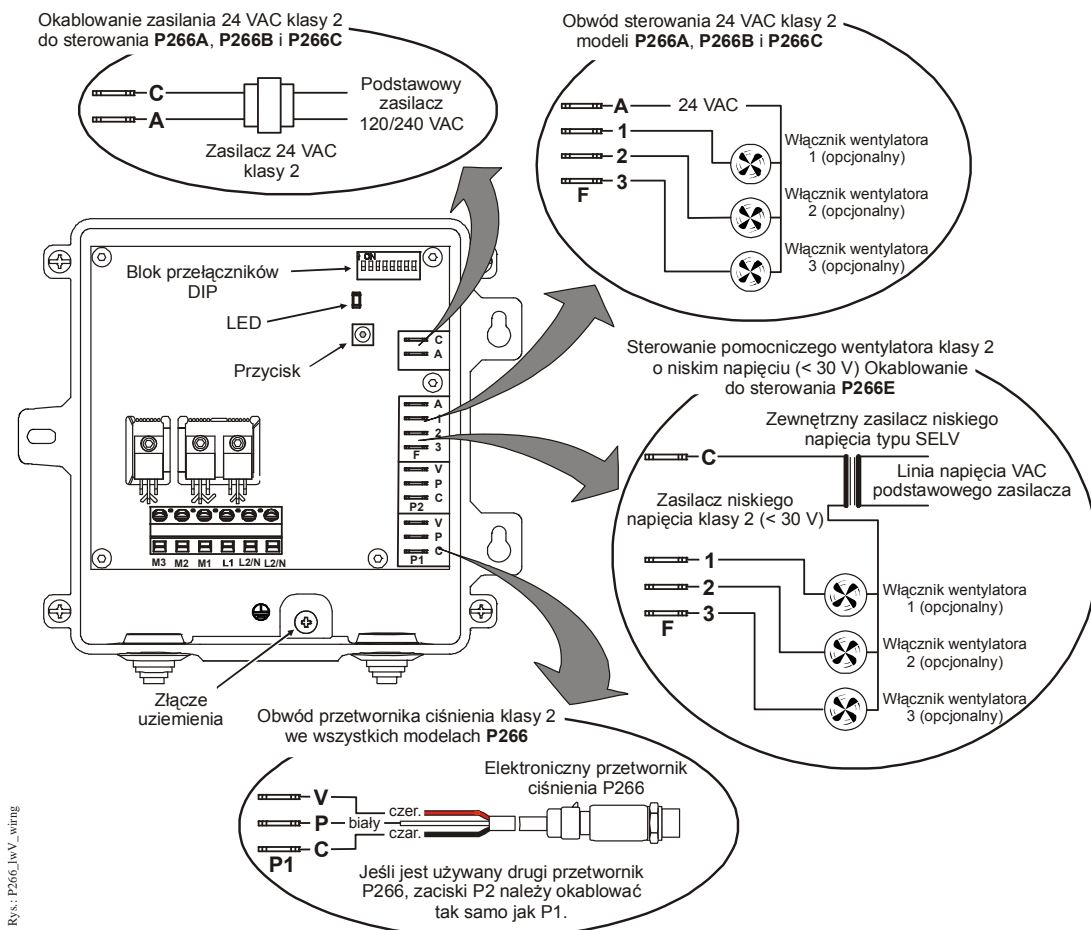
WAŻNE: Nie podłączać do regulatora z serii P266 zasilania przed zakończeniem wykonywania okablowania i sprawdzeniem wszystkich połączeń. Zwarcie lub nieprawidłowo podłączone okablowanie może uszkodzić regulator z serii P266 i spowodować unieważnienie gwarancji.

WAŻNE: Nie należy przekraczać podanych znamionowych wartości elektrycznych regulatora prędkości wentylatora z serii P266. Przekroczenie znamionowych wartości elektrycznych może trwale uszkodzić regulator z serii P266 i spowodować unieważnienie gwarancji.

WAŻNE: Należy używać wyłącznie przewodów miedzianych 60/75 C. Okablowanie należy podłączyć zgodnie z normami lokalnymi, krajowymi i regionalnymi.

WAŻNE: Wyładowania elektrostatyczne mogą uszkodzić elementy regulatora P266. Podczas instalacji i konserwacji regulatora P266 należy zachować odpowiednie środki ostrożności, aby zapobiec wyładowaniom elektrostatycznym i uszkodzeniu regulatora.

- Długość przewodów od regulatora z serii P266 do silnika wentylatora nie może przekraczać 15 m.
- Przewody podłączone do bloku zacisków linii napięcia muszą mieć przekrój $3,31 \text{ mm}^2$ (12 wg wskaźnika AWG) lub mniejszy.
- Przewody niskiego napięcia muszą być krótsze niż 30 m.



Rysunek 2: Cechy fizyczne i schemat instalacji niskiego napięcia regulatora z serii P266

Schemat instalacji niskiego napięcia

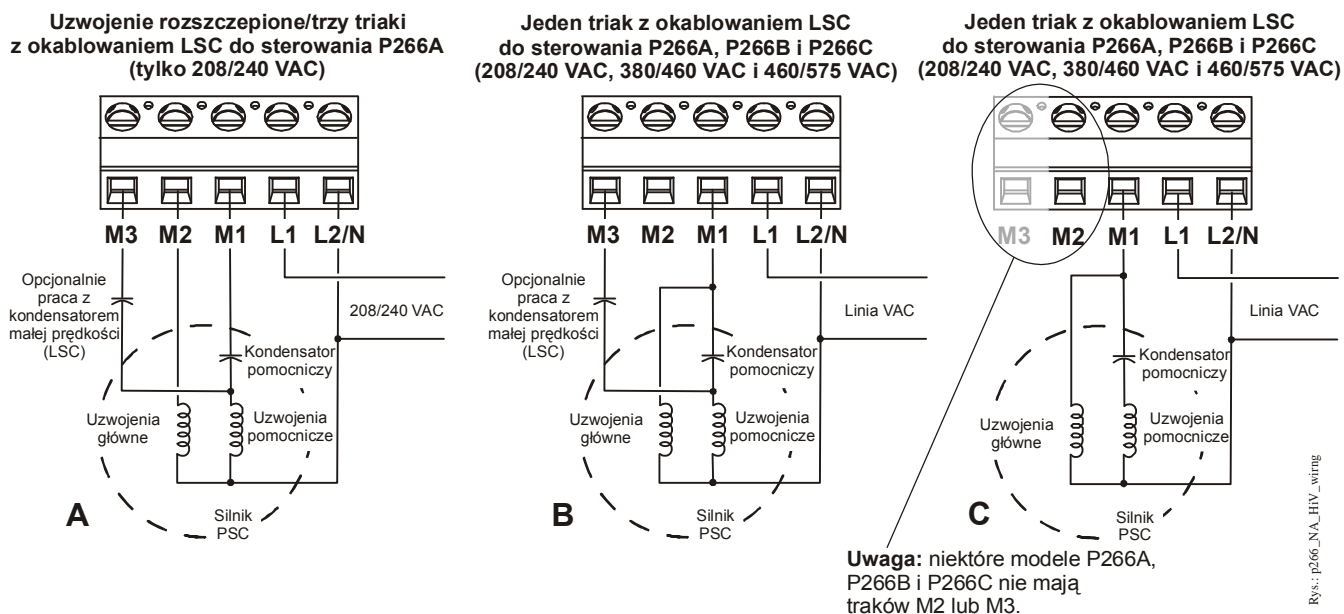
Rysunek 2 przedstawia elementy znajdujące się w obudowie regulatora z serii P266 i schemat instalacji niskiego napięcia dla modeli P266A, P266B, P266C i P266E.

WAŻNE: Zaciski L2/N muszą być podłączone do linii zasilania, aby regulator z serii P266 spełniał wymagania FCC i IEC klasy B dotyczące ograniczenia zakłóceń częstotliwości radiowych.

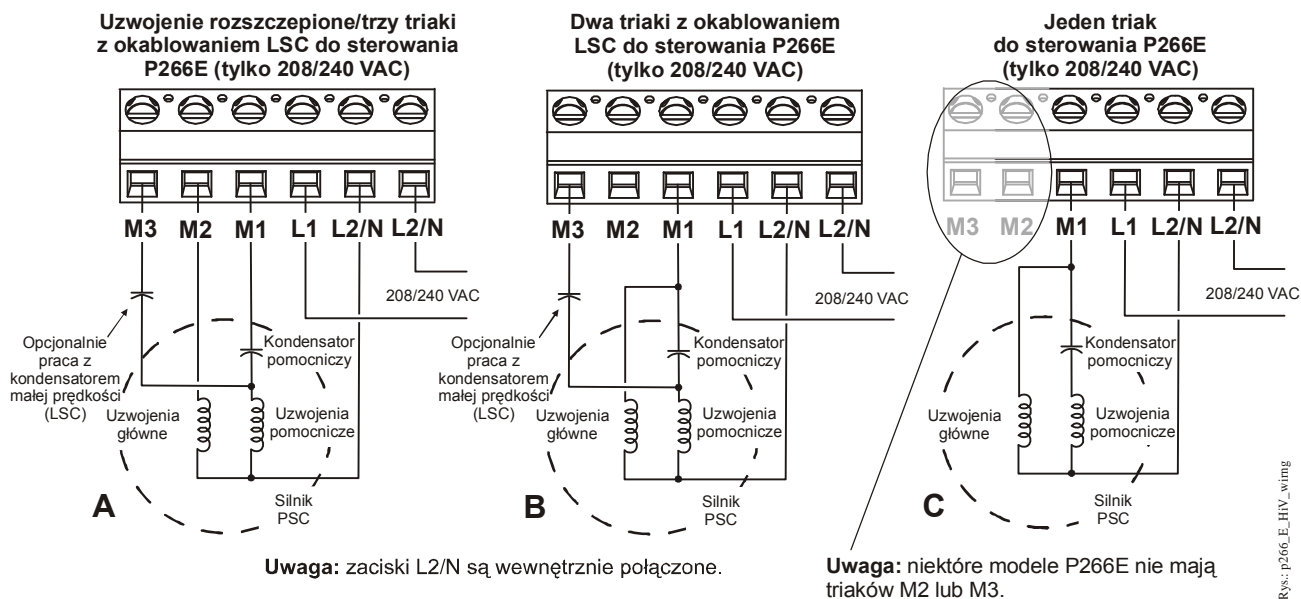
Schemat instalacji wysokiego napięcia

Rysunek 3 przedstawia schemat instalacji wysokiego napięcia dla regulatorów typu P266A, P266B i P266C, a Rysunek 4 dla typu P266E.

Skorzystaj z tabeli (Tabela 1), aby określić opcje instalacji wysokiego napięcia dostępne dla typów P266A, P266B, P266C i P266E regulatora.



Rysunek 3: Opcje instalacji wysokiego napięcia dla typów P266A, P266B i P266C



Rysunek 4: Opcje instalacji wysokiego napięcia dla typu P266E

Tabela 1: Opcje instalacji i zakresy wysokiego napięcia w zależności od typu produktu

Numer typu produktu	Uzwojenie rozszczipione/ trzy triaki i kondensator małej prędkości	Dwa triaki i kondensator małej prędkości			Jeden triak		
	208/240 VAC	208/240 VAC	380/460 VAC	460/575 VAC	208/240 VAC	380/460 VAC	460/575 VAC
P266AA	Zobacz Rysunek 3A	Zobacz Rysunek 3B	--	--	Zobacz Rysunek 3C	--	--
P266AB	Zobacz Rysunek 3A	Zobacz Rysunek 3B	--	--	Zobacz Rysunek 3C	--	--
P266AC	--	--	--	--	Zobacz Rysunek 3C	--	--
P266AD	--	--	--	--	Zobacz Rysunek 3C	--	--
P266BC	--	--	--	--	--	--	Zobacz Rysunek 3C
P266BD	--	--	--	--	--	--	Zobacz Rysunek 3C
P266BG	--	--	--	Zobacz Rysunek 3B	--	--	Zobacz Rysunek 3C
P266BH	--	--	--	Zobacz Rysunek 3B	--	--	Zobacz Rysunek 3C
P266EA	Zobacz Rysunek 4A	Zobacz Rysunek 4B	--	--	Zobacz Rysunek 4C	--	--
P266EB	Zobacz Rysunek 4A	Zobacz Rysunek 4B	--	--	Zobacz Rysunek 4C	--	--
P266EC	--	--	--	--	Zobacz Rysunek 4C	--	--
P266ED	--	--	--	--	Zobacz Rysunek 4C	--	--
P266EE	--	--	--	--	Zobacz Rysunek 4C	--	--
P266EF	--	--	--	--	Zobacz Rysunek 4C	--	--
P266CH	--	--	Zobacz Rysunek 3B	--	--	Zobacz Rysunek 3C	--

Konfiguracja i regulacja

Wszystkie regulatory z serii P266 są dostarczane z domyślnymi ustawieniami fabrycznymi dla trybów pracy. W większości zastosowań wartości ustawień domyślnych i tryby pracy nie wymagają zmiany.

Jeśli w danym zastosowaniu regulatora z serii P266 jest wymagana zmiana wartości ustawień lub trybu pracy, należy:

1. Obliczyć nowe wartości i określić ustawienia nowego trybu pracy wymagane dla danego zastosowania. (Zobacz sekcję *Wartości i tryby pracy regulatora z serii P266*).
2. Zmienić istniejące ustawienia regulatora na nowe wartości i tryb pracy, używając interfejsu konfiguracji regulatora z serii P266. (Zobacz sekcję *Ustawianie wartości i trybów pracy*).

Interfejs konfiguracji regulatora z serii P266

Interfejs konfiguracji regulatora z serii P266 składa się z bloku przełączników DIP (osiem przełączników binarnych), przycisku i zielonej diody LED (Rysunek 2). Zmianę wartości ustawień fabrycznych i trybu pracy wykonuje się, zmieniając ustawienie przełączników DIP i zapisując nowe ustawienia. Liczba mignięć diody LED (w sekwencji) wskazuje, jakie wartości i/lub tryb pracy zostały zapamiętane. Aby uzyskać więcej informacji o sekwencjach mignięć diody LED, zobacz: Tabela 2.

Podczas normalnej pracy zielona dioda LED świeci w sposób ciągły. Po **naciśnięciu i przytrzymaniu** przycisku dioda gaśnie na 3 sekundy, a następnie miga dwa razy. Następnie ponownie gaśnie na 3 sekundy, po czym miga trzy razy — i tak dalej, aż do siedmiu mignięć lub zwolnienia przycisku.

Każdy ciąg mignięć wskazuje wartość lub wartość i ustawienie trybu pracy. Zwolnienie przycisku po żądanej liczbie mignięć powoduje zapisanie tej wartości i/lub trybu pracy, jaki był aktualnie ustawiony na bloku przełączników DIP. Aby uzyskać więcej informacji, zobacz: Tabela 2.

Po zakończeniu konfiguracji należy wszystkie przełączniki DIP ustawić w położeniu ON, aby zablokować działanie przycisku.

Wartości i tryby pracy regulatora z serii P266

Regulatory z serii P266 mają dziesięć wartości i trybów (określone przez sześć sekwencji mignięć), które można zmieniać podczas ich pracy. Aby uzyskać więcej informacji o sekwencjach mignięć diody LED oraz związanych z nimi wartościach i trybach pracy, zobacz: Tabela 2.

Wartość napięcia początkowego

Napięcie początkowe (VAC) to napięcie dostarczane przez regulatory z serii P266 do silnika wentylatora, aby uzyskać on minimalną prędkość dla danego zastosowania.

Wartość napięcia początkowego określa się jako procent napięcia wejściowego regulatora z serii P266. Aby obliczyć wartość napięcia początkowego, należy użyć następującego wzoru.

$$\frac{\text{Napięcie początkowe (VAC)}}{\text{Napięcie (VAC) linii wejściowej sterowania P266}} = \text{Wartość napięcia początkowego (\%)}$$

Tryb niskiego ciśnienia

Tryb niskiego ciśnienia określa, czy silnik wentylatora jest włączony (przy napięciu początkowym/minimalna prędkość), czy wyłączony, gdy ciśnienie wykryte przez przetwornik P266 jest mniejsze niż ustawiona wartość ciśnienia początkowego.

Wartość ciśnienia początkowego

Ciśnienie początkowe (w jednostkach bar lub psi) jest ustawioną wartością ciśnienia, przy której regulator z serii P266 wysyła napięcie o wartości początkowej i porusza wentylator z minimalną prędkością. **Wartość ciśnienia początkowego** jest funkcją ustawionej wartości ciśnienia początkowego i zakresu ciśnienia danego przetwornika P266. Aby obliczyć wartość ciśnienia początkowego, należy użyć następującego wzoru. Zakresy ciśnienia przetwornika P266, zobacz Tabela 3.

$$\frac{\text{Ustawienie ciśnienia początkowego (bar lub psi)}}{\text{Zakres ciśnienia przetwornika P266 (bar lub psi)}} \times 250 = \text{Wartość ciśnienia początkowego}$$

Wartość ciśnienia końcowego

Wartość zadana ciśnienia końcowego jest ciśnieniem (mierzonym w jednostkach bar lub psi), przy którym regulator z serii P266 wysyła napięcie o wartości końcowej i porusza wentylator z maksymalną prędkością. **Wartość ciśnienia końcowego** jest funkcją ustawionej wartości ciśnienia początkowego i całkowitego zakresu ciśnienia danego przetwornika. Aby obliczyć wartość ciśnienia końcowego dla danego zastosowania, należy użyć następującego wzoru. Zakresy ciśnienia przetwornika P266, zobacz Tabela 3.

$$\frac{\text{Ustawienie ciśnienia końcowego (bar lub psi)}}{\text{Zakres ciśnienia przetwornika P266 (bar lub psi)}} \times 250 = \text{Wartość ciśnienia końcowego}$$

Tryb dla uzwojenia rozszczepionego

Niektóre jednofazowe silniki PSC mają przewody uzwojenia z odczepem. Włączenie trybu dla uzwojenia rozszczepionego umożliwia triakowi M2 dostarczanie napięcia do uzwojenia głównego (a nie do pomocniczego), co zwiększa efektywność silnika (Rysunek 3A i Rysunek 4A).

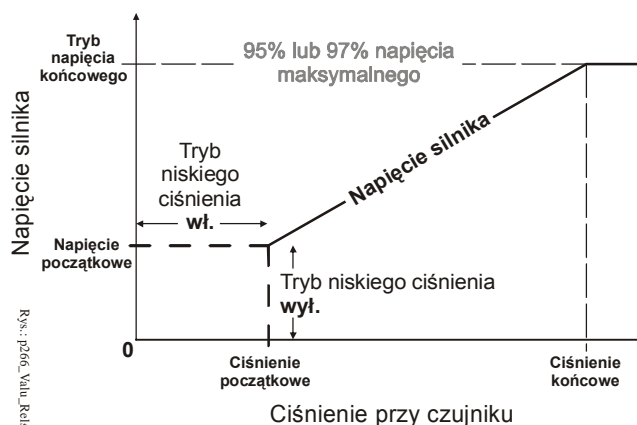
Uwaga: Tryb dla uzwojenia rozszczepionego jest dostępny tylko dla jednofazowych silników PSC **240 VAC, które mają uzwojenie z odczepem**. Należy sprawdzić w instrukcji instalacji dostarczonej przez producenta, czy silnik może być połączony w tym trybie.

Tryb sprężarki Copeland Digital Scroll™

Tryb cyfrowego kompresowania pozwala stosować regulatory z serii P266 w systemach ze sprężarkami wykorzystującymi metodę „Digital Scroll Compressor”. Niezastosowanie tego trybu pracy w wypadku stosowania sprężarki „Digital Scroll Compressor” może powodować drgania wentylatora skraplacza.

Tryb napięcia końcowego

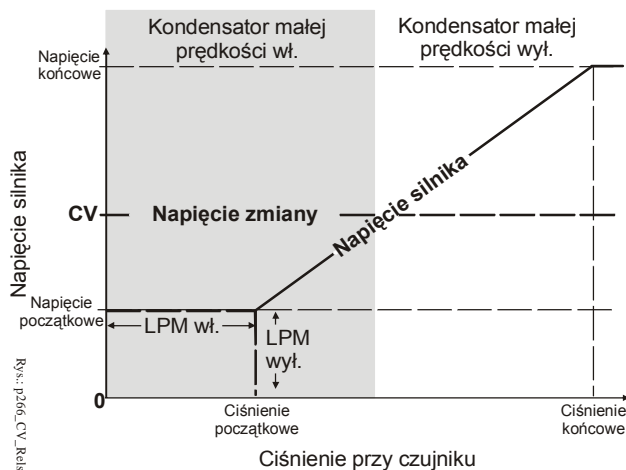
Napięcie końcowe to napięcie wyjściowe regulatora z serii P266 (określone jako procent pełnego napięcia), jakie jest utrzymywane, gdy monitorowane ciśnienie jest równe lub większe od ciśnienia końcowego. Tryb napięcia końcowego może być ustawiony na 95% lub 97% całkowitego napięcia wejściowego. Zobacz Rysunek 5.



Rysunek 5: Związki pomiędzy zmiennymi regulatora prędkości wentylatora P266

Tryb pracy z kondensatorem małej prędkości

W niektórych zastosowaniach do triaka M3 regulatora z serii P266 i sterowanego silnika wentylatora można podłączyć kondensator (LSC) małej prędkości (wyposażenie użytkownika), zobacz Rysunek 3 i Rysunek 4. Kondensator małej prędkości jest włączany przy niskich napięciach, aby zwiększyć efektywność i moc silnika. Ten tryb należy włączyć, jeśli jest używany kondensator małej prędkości.



Rysunek 6: Praca z kondensatorem małej prędkości

Uwaga: Opcjonalny kondensator małej prędkości powinien mieć wartość w mikrofaradach taką jak kondensator pomocniczy dostarczony przez producenta, identyczną w obu zakresach napięcia, lecz nie większą niż 15 mikrofaradów.

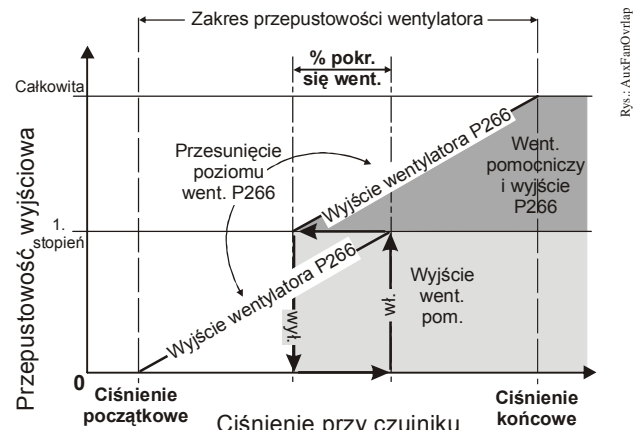
Uwaga: Jeśli w regulatorze z serii P266 jest stosowany kondensator małej prędkości, należy także ustawić wartość napięcia, przy której należy dokonać zmiany. Więcej informacji na temat ustawiania wartości napięcia zmiany można znaleźć w sekcjach Wartość napięcia zmiany i Określanie wartości napięcia zmiany.

Tryb pracy z wentylatorem pomocniczym

Regulator z serii P266 można zastosować do włączania i wyłączania trzech dodatkowych silników wentylatorów (o stałej prędkości) lub stanów wentylatora o zmiennej prędkości.

Można utworzyć trzy obwody niskiego napięcia (Rysunek 2) służące do sterowania włącznikami silników/stanów pomocniczych wentylatorów. Aby uzyskać informacje dotyczące ustawiania liczby pomocniczych wentylatorów, zobacz: Tabela 2.

Rysunek 7 przedstawia zastosowanie regulatora z serii P266 z jednym wentylatorem pomocniczym w połączeniu z wentylatorem o sterowanej prędkości. Gdy obciążenie skraplacza przekracza wydajność wyjścia wentylatora o sterowanej prędkości, regulator z serii P266 włącza wentylator pomocniczy i ustawia dla wentylatora o sterowanej prędkości (P266) nową wartość ciśnienia początkowego.



Rysunek 7: Wentylator o kontrolowanej prędkości (P266) z jednym pomocniczym wentylatorem (wł./wył.) w całym zakresie ciśnienia

Wartość częściowego pokrywania zakresu przez wentylator pomocniczy

Wartość pokrywania się zakresu przez wentylator pomocniczy określa pokrywanie się zakresu ciśnienia (jako procent całkowitego zakresu ciśnienia [przepustowość] pomiędzy stanami wentylatorów konfigurowanymi przez regulator z serii P266. Wartość pokrywania się zakresu jest taka sama dla wszystkich stanów wentylatorów pomocniczych konfigurowanych przez regulator.

Zwiększenie wartości pokrywania się zakresu przez wentylator pomocniczy zmniejsza cykle pracy (włączanie/wyłączanie) wentylatorów pomocniczych i zwiększa różnicę ciśnienia między stanami wentylatorów pomocniczych (co z kolei zwiększa zakres ciśnienia każdego ze stanów wentylatorów pomocniczych).

Uwaga: Jeśli regulator z serii P266 nie jest stosowany do żadnego z wentylatorów pomocniczych, nie stosuje się parametru wartości pokrywania zakresu. Aby uzyskać informacje dotyczące ustawiania liczby pomocniczych wentylatorów, zobacz: Tabela 2.

Wartość napięcia zmiany

Wartość napięcia zmiany określa napięcie, przy którym regulator z serii P266 włącza i wyłącza triak M3 i kondensator małej prędkości (Rysunek 6). Zobacz sekcję Określanie wartości napięcia zmiany.

Ustawianie wartości i trybów pracy

Aby zmienić ustawienia i wartości regulatora z serii P266:

1. Określ wartości ciśnienia pracy (psi lub bar), napięcia wejściowego i wyjściowego (VAC) i inne tryby pracy wymagane w danym zastosowaniu silnika wentylatora skraplacza.
2. Przekształć zadane w ten sposób wartości ciśnienia (psi lub bar) i docelowego napięcia (VAC) na wartości regulatora z serii P266. Zobacz w sekcjach Wartości i tryby pracy regulatora z serii P266 i Tabela 2.
3. Zmień położenie przełączników DIP, aby ustawić nowe wartości i/lub tryby pracy. Zobacz sekcję Ustawianie bloku przełączników DIP.
4. Naciśnij i przytrzymaj przycisk do czasu, aż liczba mignięć diody wskaże ustawienie żądanych wartości i/lub trybów pracy. Zwolnij przycisk **po**:

- **dwóch mignięciach**, aby zapisać ustawienie trybu niskiego ciśnienia i wartość napięcia początkowego;
- **trzech mignięciach**, aby zapisać wartość ciśnienia początkowego;
- **czterech mignięciach**, aby zapisać wartość ciśnienia końcowego;
- **pięciu mignięciach**, aby zapisać tryb pracy z uzwojeniem rozszczepionym, ustawienie napięcia końcowego, pracę z kondensatorem małej prędkości i ustawienia stanów wentylatorów pomocniczych;
- **sześciu mignięciach**, aby zapisać wartość pokrywania się zakresu wentylatora pomocniczego;
- **siedmiu mignięciach**, aby zapisać wartość napięcia zmiany.

Uwaga: Aby uzyskać więcej informacji na temat wartości i trybów pracy związanych z daną liczbą mignięć diody LED, zobacz: Tabela 2.

5. Powtórz kroki 3. i 4. dla następnej wartości i/lub trybu, które chcesz zmienić.
6. Po ustawieniu wszystkich nowych wartości i trybów pracy ustaw wszystkie przełączniki DIP w położeniu „ON”, aby zablokować działanie przycisku.

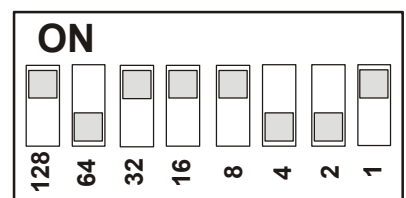
Ustawianie bloku przełączników DIP

Aby ustawić nową wartość i tryb pracy na bloku przełączników DIP:

1. Ustaw wszystkie przełączniki bloku DIP w położeniu „OFF”.

2. Przetwórz odpowiednie przełączniki w położenie „ON” w taki sposób, że suma liczb odpowiadających tak ustawionym przełącznikom jest równa żądanej wartości konfiguracji. Rozpocznij od przełącznika z największą liczbą mniejszą od żądanej wartości. (Na przykład jeśli żądaną wartością jest 185, rozpocznij od ustawienia w położenie „ON” przełącznika z numerem 128. Następnie ustaw w to położenie przełączniki z numerami 32, 16, 8 i 1, gdyż $128+32+16+8+1=185$ [Rysunek 8]).

Ustawienie trybu pracy wymaga ustawienia co najwyżej dwóch przełączników w bloku DIP. Aby uzyskać więcej informacji na temat wartości i trybów pracy związanych z daną liczbą mignięć diody LED, zobacz: Tabela 2.



Rysunek 8: Blok przełączników DIP z ustawieniami do zapisania wartości konfiguracji 185

WAŻNE: Wszystkie przełączniki w bloku DIP muszą być ustawione w odpowiednich położeniach przed naciśnięciem i zwolnieniem przycisku, aby zapisać ustawienie wartości i trybów pracy dla danego zastosowania. Aby uzyskać więcej informacji o położeniu przełączników, zobacz: Tabela 2.

Tryb testowania napięcia

Tryb testowania jest narzędziem oprogramowania sprzętowego regulatora z serii P266 służącym do konfigurowania i diagnostyki. Pozwala on przetestować działanie silnika wentylatora skraplacza przy różnych wartościach napięcia pracy i określić optymalne napięcie początkowe dla danego zastosowania regulatora z serii P266.

Umożliwia on również określenie optymalnej wartości napięcia zmiany w zastosowaniach regulatora z serii P266 z triakiem M3 i kondensatorem małej prędkości.

W trybie testowania napięcia potrzebne są:

- model regulatora z serii P266 przeznaczony do zastosowania ze skraplaczem;
- dostęp do skraplacza i silnika wentylatora sterowanego przez regulator z serii P266;
- amperomierz zaciskowy o zakresie 15 A (do sprawdzania zmiany przepływu prądu podczas określania napięcia zmiany);

- izolowany próbnik do przytrzymania wciśniętego przycisku i zmiany położenia przełączników DIP;
- zasilacz 24 VAC klasy 2 (**tylko** dla modeli regulatorów z serii P266, które wymagają zewnętrznego zasilania 24 VAC);
- kondensator małej prędkości (LSC) odpowiedni dla danego silnika wentylatora (**tylko w zastosowaniach regulatora** z serii P266 wymagających kondensatora małej prędkości).

Uwaga: Kondensator małej prędkości powinien mieć wartość w mikrofaradach taką jak kondensator pomocniczy dostarczony przez producenta, identyczną w obu zakresach napięcia, lecz nie większą niż 15 mikrofaradów.

Przygotowanie do trybu testowania napięcia

Przed włączeniem zasilania regulatora z serii P266 i uruchomieniem trybu testowania napięcia regulatora należy:

1. Przeczytać wskazówki i procedury opisane w sekcjach Montaż i Okablowanie.
2. Zamontować i okablować regulator z serii P266 do obsługi skraplacza, biorąc pod uwagę następujące wskazówki:
 - Sprawdzić szczegóły dotyczące okablowania dla danego modelu regulatora z serii P266 znajdujące się na etykiecie wewnątrz jego obudowy. Aby sprawdzić opcje okablowania, zobacz sekcję Okablowanie.
 - Podłączyć uzwojenie pomocnicze i główne zgodnie z instrukcją producenta silnika i wymaganiami danego zastosowania. Rozdzielić uzwojenia (na przewodach uzwojenia) i zasilac je oddzielnie, jeśli dane zastosowanie i silnik zezwalają na pracę z uzwojeniem rozszczepionym. Zobacz Rysunek 3 i Rysunek 4.
 - Jeśli w zastosowaniu jest używany kondensator małej prędkości, połączyć go z triakiem M3 i silnikiem **wyłącznie** po sprawdzeniu i zapisaniu maksymalnego przepływu prądu. Zobacz sekcję Określanie wartości napięcia zmiany.
 - Jeśli dany model regulatora z serii P266 wymaga do operacji sterowania zewnętrznego zasilania 24 VAC, należy podłączyć to zasilanie do regulatora. (Sprawdzić wymagania dotyczące zasilania zewnętrznego regulatora znajdujące się na etykiecie wewnątrz jego obudowy).

- Uruchamiając regulator z serii P266 w trybie testowania napięcia, **nie** należy podłączać zasilania ani przewodów do przetwornika regulatora, ani obciążać kondensatora. Podczas testowania napięcia można przestawiać przełączniki DIP, aby ustawić napięcie dostarczane do silnika przez regulator z serii P266.

3. Ustawić regulator z serii P266 i silnik wentylatora skraplacza na zamierzony sposób działania, wybierając wymagane wartości i tryby działania odpowiednio do danego zastosowania. Zobacz procedury opisane w sekcji Konfiguracja i regulacja.

Określanie wartości napięcia zmiany

W trybie testowania napięcia można określić i ustawić wartość napięcia zmiany w zastosowaniach regulatora z serii P266 z opcjonalnym kondensatorem małej prędkości. Aby określić i ustawić wartość napięcia zmiany, należy:

1. Zamontować, okablować i ustawić regulator z serii P266 i silnik wentylatora skraplacza w trybie testowania napięcia. Zobacz sekcję Przygotowanie do trybu testowania napięcia.
- Uwaga:** Nie należy podłączać okablowania do kondensatora małej prędkości do czasu, gdy zostanie wykonany krok 6 tej procedury.
2. Ustawić wszystkie przełączniki bloku DIP, z wyjątkiem pierwszego, w położeniu ON. Pierwszy przełącznik ustawić w położeniu OFF.
3. Podłączyć do regulatora z serii P266 linię napięcia (i zewnętrzne zasilanie 24 VAC w wymagających tego modelach). Następnie w ciągu 30 sekund od podłączenia zasilania trzy razy nacisnąć i zwolnić przycisk. Dioda LED zgaśnie i pozostanie zgaszona, a silnik wentylatora przyspieszy do maksymalnej prędkości (na poziomie 95% lub 97% maksymalnego napięcia) i będzie maksymalnie zasilany przez czas do 5 minut.
4. Przy maksymalnym napięciu użyć amperomierza zaciskowego, aby sprawdzić przepływ prądu (w amperach) uzwojenia pomocniczego silnika wentylatora i zapisać przepływ prądu w uzwojeniu pomocniczym przy tym napięciu.
5. Rozłączyć linię napięcia zasilającego regulator z serii P266 (i zewnętrzne zasilanie 24 VAC żądanych modeli).
6. Podłączyć kondensator małej prędkości do triaka M3 i pomocniczego uzwojenia silnika. (Zobacz opcje okablowania triaka M3: Rysunek 3 i Rysunek 4).

7. Ustawić wszystkie przełączniki bloku DIP, z wyjątkiem dwóch dla pozycji 8 i 32, w położeniu OFF. Przełączniki dla wartości 8 i 32 ustawić w położeniu ON. ($8 + 32 = 40\%$ maksymalnej wartości napięcia).
8. Podłączyć do regulatora z serii P266 linię napięcia (i zewnętrzne zasilenie 24 VAC w wymagających tego modelach). Następnie w ciągu 30 sekund od podłączenia zasilania trzy razy nacisnąć i zwolnić przycisk. Dioda LED zgaśnie i pozostanie zgaszona, a silnik wentylatora przyspieszy do prędkości odpowiadającej 40% maksymalnego napięcia (na czas do 5 minut).
9. Przy 40% maksymalnego napięcia użyć amperomierza zaciskowego, aby sprawdzić przepływ prądu (w amperach) w uzwojeniach silnika pomocniczego wentylatora podłączonych do obu kondensatorów i zapisać go.
10. Powtórzyć Krok 7, zwiększając wartość napięcia o 8%, a następnie powtórzyć Krok 8, Krok 9 i Krok 10 przy zwiększonych wartościach napięcia, aż przepływ prądu osiągnie wartość (przy maksymalnym napięciu) zapisaną w kroku: Krok 4.
Uwaga: Jeśli silnik zatrzyma się lub pracuje nierówno, zmniejszyć przełącznikami DIP napięcie o 4% i sprawdzić działanie silnika.
11. Wartość napięcia ustawiona na przełączniku DIP jest teraz równa największemu napięciu w trybie pracy o małej prędkości, a także wartości napięcia zmiany.
12. Nacisnąć i przytrzymać przycisk, aż dioda LED mignie trzy razy — wtedy zwolnić przycisk. Wartość napięcia zmiany zostanie zapisana w regulatorze z serii P266.
Uwaga: Jeśli chce się również określić wartość napięcia początkowego dla regulatora z serii P266 i silnika, wtedy można przejść bezpośrednio do: Krok 3 procedury opisanej w sekcji Określanie wartości napięcia początkowego.
13. Odłączyć zasilanie od regulatora z serii P266 i ustawić wszystkie przełączniki DIP w położeniu ON, aby zablokować działanie przycisku.
14. Ponownie podłączyć zasilanie do regulatora z serii P266, aby wznowić normalne sterowanie prędkością silnika.

Określanie wartości napięcia początkowego

W trybie testowania napięcia można także określić i ustawić wartość napięcia początkowego dla regulatora z serii P266.

Aby określić i ustawić wartość napięcia początkowego:

1. Zamontować, okablować i ustawić regulator z serii P266 i silnik wentylatora skraplacza w trybie testowania napięcia. Zobacz sekcję Przygotowanie do trybu testowania napięcia.
Uwaga: Jeśli w danym zastosowaniu korzysta się z trybów pracy dla uzwojenia rozszczepionego i z kondensatorem małej prędkości, należy wykonać okablowanie tych trybów odpowiednio do wymagań zastosowania (Rysunek 3A i Rysunek 4A).
2. Podłączyć do regulatora z serii P266 linię napięcia (i zewnętrzne zasilenie 24 VAC w wymagających tego modelach). Następnie w ciągu 30 sekund od podłączenia zasilania trzy razy nacisnąć i zwolnić przycisk. Dioda LED zgaśnie i pozostanie zgaszona.
3. Ustawić położenie przełączników DIP w taki sposób, że całkowita wartość przełączników ustawionych w położeniu „ON” jest równa lub nieznacznie większa od przewidywanej wartości napięcia początkowego. (Na przykład jeśli przewidywaną wartością napięcia początkowego silnika jest 25% napięcia całkowitego, należy ustawić w położeniu „ON” przełączniki o wartościach 16, 8, 4 i 2. $16 + 8 + 4 + 2 = 30\%$, co jest nieznacznie więcej niż 25%). Silnik wentylatora przyspieszy do prędkości odpowiadającej 30% maksymalnego napięcia i będzie obracać się z tą prędkością.
4. Obserwować pracę silnika wentylatora, aby określić, czy zastosowane napięcie początkowe daje żadaną prędkość początkową silnika:
 - Jeśli prędkość początkowa i praca silnika spełniają wymagania danego zastosowania, przejść do kroku: Krok 5.
 - Jeśli prędkość początkowa lub praca silnika nie spełniają wymagań zastosowania, powrócić do kroku: Krok 3 i ustawić nową przewidywaną wartość napięcia początkowego, aby ustalić żadaną wartość prędkości początkowej silnika.
5. Gdy silnik pracuje z żadaną prędkością początkową (określoną przez wartość napięcia początkowego), nacisnąć i przytrzymać przycisk, aż dioda LED mignie w jednym ciągu dwa razy — wtedy zwolnić przycisk. Wartość napięcia początkowego zostanie zapisana w regulatorze z serii P266.
6. Odłączyć zasilanie od regulatora z serii P266 i ustawić wszystkie przełączniki DIP w położeniu ON, aby zablokować działanie przycisku.
7. Ponownie podłączyć zasilanie do regulatora z serii P266, aby wznowić normalne sterowanie prędkością silnika.

Tabela 2: Sekwencje mignięć diody LED, wartości konfiguracyjne, ustawianie trybów pracy przełącznikiem DIP, wartości domyślne i przykłady ustawień

Zwolinij przycisk po...	Wartość/nazwa trybu (wartość liczbową przełącznika)	Zakres wartości/ustawienia trybu (przykład ustawień domyślnych)	Wartość liczbową przełącznika i położenie Opis wartości/ustawienia	Blok przełącznikówDIP Przykład ustawień domyślnych
Dwa mignięcia	Tryb małej prędkości (przełącznik 128)	Ustawienia: ON lub OFF (ustawienie domyślne: OFF)	Przełącznik 128 OFF = silnik nie jest zasilany, jeśli zmierzone ciśnienie jest mniejsze niż ciśnienie początkowe. Przełącznik 128 ON = włącza zasilanie silnika, gdy zmierzone ciśnienie jest równe lub mniejsze niż ciśnienie początkowe.	
Trzy mignięcia	Wartość napięcia początkowego (przełączniki 1 do 64)	Zakres wartości: od 10 do 90 (wartość domyślna: 40)	Ustawić przełączniki 1 do 64 w położeniu ON lub OFF w taki sposób, że suma wartości przełączników ustawionych w położeniu ON jest równa wartości napięcia początkowego.	
Cztery mignięcia	Wartość ciśnienia początkowego (przełączniki 1 do 128)	Zakres wartości: od 10 do 230 (wartość domyślna: 110)	Ustawić przełączniki 1 do 128 w położeniu ON lub OFF w taki sposób, że suma wartości przełączników ustawionych w położeniu ON jest równa wartości ciśnienia początkowego.	
Pięć mignięć (przełączniki 64 i 128 w położeniu OFF)	Tryb dla uzwojenia rozszczepionego (przełącznik 32)	Zakres wartości: ciśnienie początkowe + 8] do 240 (wartość domyślna: 129)	Ustawić przełączniki 1 do 128 w położeniu ON lub OFF w taki sposób, że suma wartości przełączników ustawionych w położeniu ON jest równa wartości ciśnienia końcowego.	
Sześć mignięć (przełącznik 128 OFF)	Tryb pracy z kondensatorem małej prędkości (przełącznik 4)	Ustawienia: ON lub OFF (ustawienie domyślne: OFF)	Przełącznik 32 ON = triak M2 podłączony do odczepu zasilającego uzwojeń. Przełącznik 32 OFF = triak M2 odłączony.	
Siedem mignięć (przełącznik 128 OFF)	Liczba stanów wentylatorów pomocniczych (przełączniki 1 i 2)	Ustawienia: ON lub OFF (ustawienie domyślne: OFF)	Przełącznik 16 ON = do silnika jest podawane 95% napięcia wejściowego regulatora P266. Przełącznik 16 OFF = do silnika jest podawane 97% napięcia wejściowego regulatora P266.	
	Częściowe pokrywanie zakresu przez wentylator pomocniczy (przełączniki 1 do 64)	Zakres wartości: od 1 do 90 (wartość domyślna: 10)	Przełącznik 8 ON = cyfrowy algorytm kompresowania włączony. Przełącznik 8 OFF = cyfrowy algorytm kompresowania wyłączony.	
	Wartość napięcia zmiany (przełączniki 1 do 64)	Zakres wartości: od 10 do 80 (wartość domyślna: 60)	Przełącznik 4 ON = praca z kondensatorem małej prędkości. Przełącznik 4 OFF = praca bez kondensatora małej prędkości.	

Elektroniczne przetworniki ciśnienia P266

Regulatory z serii P266 zostały zaprojektowane do współpracy z jednym lub dwoma elektronicznymi przetwornikami ciśnienia firmy Johnson Controls.

Przetworniki z serii P266 są specjalną wersją elektronicznych przetworników ciśnienia z serii P499 przeznaczoną do pracy z regulatorem z serii P266. Tabela 3 przedstawia dostępne modele przetworników P266.

Uwaga: W zastosowaniach regulatora z serii P266, w których są wykorzystywane dwa przetworniki z serii P266, regulator zawsze odwołuje się do przetwornika, który zmierzył największe ciśnienie.

WAŻNE: Jeśli do regulatora z serii P266 są podłączone dwa przetworniki z serii P266, muszą to być takie same modele (ten sam numer kodu produktu). Podłączenie do regulatora P266 dwóch różnych modeli przetworników z serii P266 może dać nieoczekiwane wyniki sterowania.

Informacje dotyczące instalacji przetworników z serii P266 można znaleźć w *biuletynie technicznym elektronicznych przetworników ciśnienia (LIT-12011190)*.

Tabela 3: Elektroniczne przetworniki ciśnienia P266SNR

Numer kodu produktu	Opis
P266SNR-1C	Elektroniczny przetwornik ciśnienia: całkowity zakres 0–35 barów (0–508 psi) z szybkim złączem żeńskim typu SAE 1/4 cala i przewodem 2 m.
P266SNR-2C	Elektroniczny przetwornik ciśnienia: całkowity zakres 0–52 barów (0–754 psi) z szybkim złączem żeńskim typu SAE 1/4 cala i przewodem 2 m.

Dane techniczne

Regulator prędkości jednofazowego wentylatora skraplacza z serii P266xxx-x

Wejściowe napięcie zasilające	208/240 VAC 50/60 Hz, 380/460 VAC 50/60 Hz lub 480/575 VAC 50/60 Hz w zależności od modelu (zob. szczegóły dotyczące okablowania dla danego modelu regulatora P266 znajdujące się na etykiecie wewnątrz jego obudowy lub na schemacie okablowania danego modelu).
Prąd znamionowy zwarcia obwodu	Odpowiednie do użycia w obwodach nie przekraczających 5000 RMS Prąd symetryczny, maksymalnie 600 V przy ochronie bezpiecznikiem klasy H
Zasilacz niskiego napięcia	Typy P266A, P266B i P266C: zewnętrzny, transformatorowy, 24 VAC klasa 2, 20 VA Typy P266Exx: niskie napięcie do zasilania regulatora P266 jest dostarczane przez wbudowany transformator. Uwaga: Jeśli włączniki pomocniczych wentylatorów są podłączone do regulatorów typu P266E do zasilania włączników wentylatorów jest niezbędny zasilacz typu SELV (Safety Extra-Low Voltage), zob. Rysunek 2.
Warunki pracy	Temperatura: od -40 do +60°C Wilgotność: do 95% wilgotności względnej bez kondensacji, maksymalny punkt rosy 29°C
Warunki transportu i przechowywania	Temperatura: od -40 do +85°C Wilgotność: do 95% wilgotności względnej bez kondensacji, maksymalny punkt rosy 29°C
Połączenia niskiego napięcia	Szybkie złącze typu 1/4 cala, maksymalna długość okablowania 30 m
Przetwornik wejściowy	Przetwornik ciśnienia P266SNR-x: 5 VDC dla 0,5 do 4,5 VDC z konwersją stosunkową sygnału analogowego
Typ obudowy	NEMA 3R, IP54
Puszka obudowy	Ciśnieniowy odlew aluminiowy
Pokrywa	Żywica poliwęglanowa stabilizowana UV

Regulator prędkości jednofazowego wentylatora skraplacza z serii P266xxx-x

Wymiary (wys. x szer. x gł.)	159 x 177 x 70 mm
Ciężar	Najcięższy model: 1,0 kg Ciężar z opakowaniem: ok. 1,2 kg
Dane dotyczące zgodności	Europa: Znak: CE Compliant; CENELEC EN 60947-1 & 4-2; Dyrektywa dot. ograniczenia użycia niebezpiecznych substancji (2002/95/EC); dyrektywa dot. utylizacji urządzeń elektronicznych (2002/96/EC) Ameryka Północna: cULus File 244421; Zgodność z FCC do CFR47, cz. 15, podcz. B, klasa B Industry Canada (IC) zgodność z ICES-003, ograniczenia klasy B Australia: Zgodność z C-Tick (N1813)

Dane dotyczące wydajności są znamionowe i zgodne z odpowiednimi standardami branżowymi. W sprawie zastosowań spoza zakresu tych specyfikacji należy skontaktować się z firmą Johnson Controls Application Engineering pod numerem telefonu (414) 524-5535. Firma Johnson Controls, Inc. nie ponosi odpowiedzialności za niezgodne z przeznaczeniem lub niewłaściwe stosowanie jej produktów.

Zgodność z wymaganiami ograniczenia emisji obowiązującymi w Stanach Zjednoczonych (FCC)

Niniejsze urządzenie zostało sprawdzone i uznane za zgodne z ograniczeniami obowiązującymi dla urządzeń cyfrowych klasy B, zgodnie z cz. 15 przepisów FCC. Ograniczenia te zostały opracowane w celu zapewnienia odpowiedniej ochrony przed szkodliwymi zakłóceniami w instalacjach mieszkaniowych. Niniejsze urządzenie wytwarza, korzysta i może promieniować energię o częstotliwości fal radiowych, i jeśli nie zostało zainstalowane i użyte zgodnie z instrukcją, może powodować szkodliwe zakłócenia w komunikacji radiowej. Ponadto nie gwarantuje się, że zakłócenia nie wystąpią w poszczególnych instalacjach. Jeśli urządzenie powoduje szkodliwe zakłócenia w odbiorze radiowym lub telewizyjnym, co można stwierdzić, wyłączając i włączając ponownie urządzenie, zaleca się, aby użytkownik spróbował wyeliminować te zakłócenia w następujący sposób:

- Zmienić ustawienie lub ustawić w innym miejscu antenę odbiorczą.
- Zwiększyć odległość między urządzeniem a odbiornikiem.
- Podłączyć urządzenie do innego gniazdka lub obwodu niż odbiornik.
- Poprosić o pomoc sprzedawcę urządzenia lub doświadczonego technika radiowego/telewizyjnego.

Zgodność z wymaganiami ograniczenia emisji obowiązującymi w Kanadzie

Niniejsze cyfrowe urządzenie klasy B spełnia wszystkie kanadyjskie przepisy dotyczące urządzeń powodujących zakłócenia.



Building Efficiency

507 E. Michigan Street, Milwaukee, WI 53202

Johnson Controls/PENN® jest zastrzeżonym znakiem towarowym firmy Johnson Controls, Inc.

Wszelkie inne znaki zawarte w niniejszym dokumencie należą do odpowiednich właścicieli. © 2010 Johnson Controls, Inc.