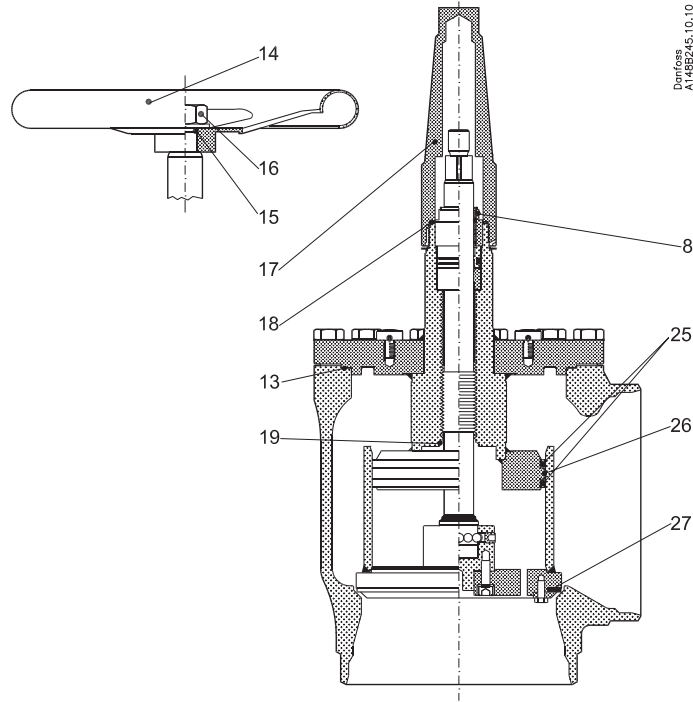


Data sheet

Spare parts and accessories  
Shut-off valve  
Type SVA-DH 250-300 (10-12 in.)



| Description                               | Pos. # | Qty. | Size            | Code no.        |
|---|--------|------|-----------------|-----------------|
| <b>Spare part kit, for bonnet and cap</b> |        |      |                 |                 |
| Gasket for bonnet                         | 13     | 1    | DN 250 (10 in.) | <b>148B4162</b> |
| Gasket                                    | 18     | 1    | DN 250 (10 in.) |                 |
| Gasket for backseat                       | 19     | 1    | DN 250 (10 in.) |                 |
| Gasket for bonnet                         | 13     | 1    | DN 300 (12 in.) | <b>148B4163</b> |
| Gasket                                    | 18     | 1    | DN 300 (12 in.) |                 |
| Gasket for backseat                       | 19     | 1    | DN 300 (12 in.) |                 |
| <b>Spare part kit for cone</b>            |        |      |                 |                 |
| Gasket for Bonnet                         | 13     | 1    | DN 250 (10 in.) | <b>148B4164</b> |
| Gasket for cone (u-sleeve)                | 25     | 2    | DN 250 (10 in.) |                 |
| Wear ring for cone                        | 26     | 1    | DN 250 (10 in.) |                 |
| Gasket for cone (valve seat)              | 27     | 1    | DN 250 (10 in.) | <b>148B4165</b> |
| Gasket for Bonnet                         | 13     | 1    | DN 300 (12 in.) |                 |
| Gasket for cone (u-sleeve)                | 25     | 2    | DN 300 (12 in.) |                 |
| Wear ring for cone                        | 26     | 1    | DN 300 (12 in.) | <b>148B4166</b> |
| Gasket for cone (valve seat)              | 27     | 1    | DN 300 (12 in.) |                 |
| <b>Packing gland (complete)</b>           |        |      |                 |                 |
| Packing gland complete                    | 8      | 1    | DN 250 (10 in.) | <b>148B4166</b> |
| Packing gland complete                    | 8      | 1    | DN 300 (10 in.) |                 |
| <b>Complete repair kit</b>                |        |      |                 |                 |
| Packing gland complete                    | 8      | 1    | DN 250 (10 in.) | <b>148B4167</b> |
| Gasket for bonnet                         | 13     | 1    | DN 250 (10 in.) |                 |
| Gasket                                    | 18     | 1    | DN 250 (10 in.) |                 |
| Gasket for backseat                       | 19     | 1    | DN 250 (10 in.) |                 |
| Gasket for cone (u-sleeve)                | 25     | 2    | DN 250 (10 in.) |                 |
| Wear ring for cone                        | 26     | 1    | DN 250 (10 in.) |                 |
| Gasket for cone (valve seat)              | 27     | 1    | DN 250 (10 in.) |                 |

| Description                            | Pos. # | Qty. | Size            | Code no.        |
|--|--------|------|-----------------|-----------------|
| <b>Complete repair kit</b>             |        |      |                 |                 |
| Packing gland complete                 | 8      | 1    | DN 300 (12 in.) | <b>148B4168</b> |
| Gasket for bonnet                      | 13     | 1    | DN 300 (12 in.) |                 |
| Gasket                                 | 18     | 1    | DN 300 (12 in.) |                 |
| Gasket for backseat                    | 19     | 1    | DN 300 (12 in.) |                 |
| Gasket for cone (u-sleeve)             | 25     | 2    | DN 300 (12 in.) |                 |
| Wear ring for cone                     | 26     | 1    | DN 300 (12 in.) |                 |
| Gasket for cone (valve seat)           | 27     | 1    | DN 300 (12 in.) |                 |
| <b>Handwheel incl. nut and washer</b>  |        |      |                 |                 |
| Handwheel                              | 14     | 1    | DN 250 (10 in.) | <b>148B4169</b> |
| Washer                                 | 15     | 1    | DN 250 (10 in.) |                 |
| Nut                                    | 16     | 1    | DN 250 (10 in.) |                 |
| Handwheel                              | 15     | 1    | DN 300 (12 in.) | <b>148B4170</b> |
| Washer                                 | 15     | 1    | DN 300 (12 in.) |                 |
| Nut                                    | 16     | 1    | DN 300 (12 in.) |                 |
| <b>Cap incl. Gasket</b>                |        |      |                 |                 |
| Cap                                    | 17     | 1    | DN 250 (10 in.) | <b>148B4171</b> |
| Gasket                                 | 18     | 1    | DN 250 (10 in.) |                 |
| Cap                                    | 17     | 1    | DN 300 (12 in.) |                 |
| Gasket                                 | 18     | 1    | DN 300 (12 in.) |                 |
| <b>Grease for packing gland (tube)</b> |        |      |                 |                 |
| Grease for packing gland (tube)        | -      | 1    | DN 250 (10 in.) | <b>148H3445</b> |
| Grease for packing gland (tube)        | -      | 1    | DN 300 (12 in.) |                 |

**Danfoss A/S**

Climate Solutions • danfoss.com • +45 7488 2222

Any information, including, but not limited to information on selection of product, its application or use, product design, weight, dimensions, capacity or any other technical data in product manuals, catalogues descriptions, advertisements, etc. and whether made available in writing, orally, electronically, online or via download, shall be considered informative, and is only binding if and to the extent, explicit reference is made in a quotation or order confirmation. Danfoss cannot accept any responsibility for possible errors in catalogues, brochures, videos and other material. Danfoss reserves the right to alter its products without notice. This also applies to products ordered but not delivered provided that such alterations can be made without changes to form, fit or function of the product.

All trademarks in this material are property of Danfoss A/S or Danfoss group companies. Danfoss and the Danfoss logo are trademarks of Danfoss A/S. All rights reserved.