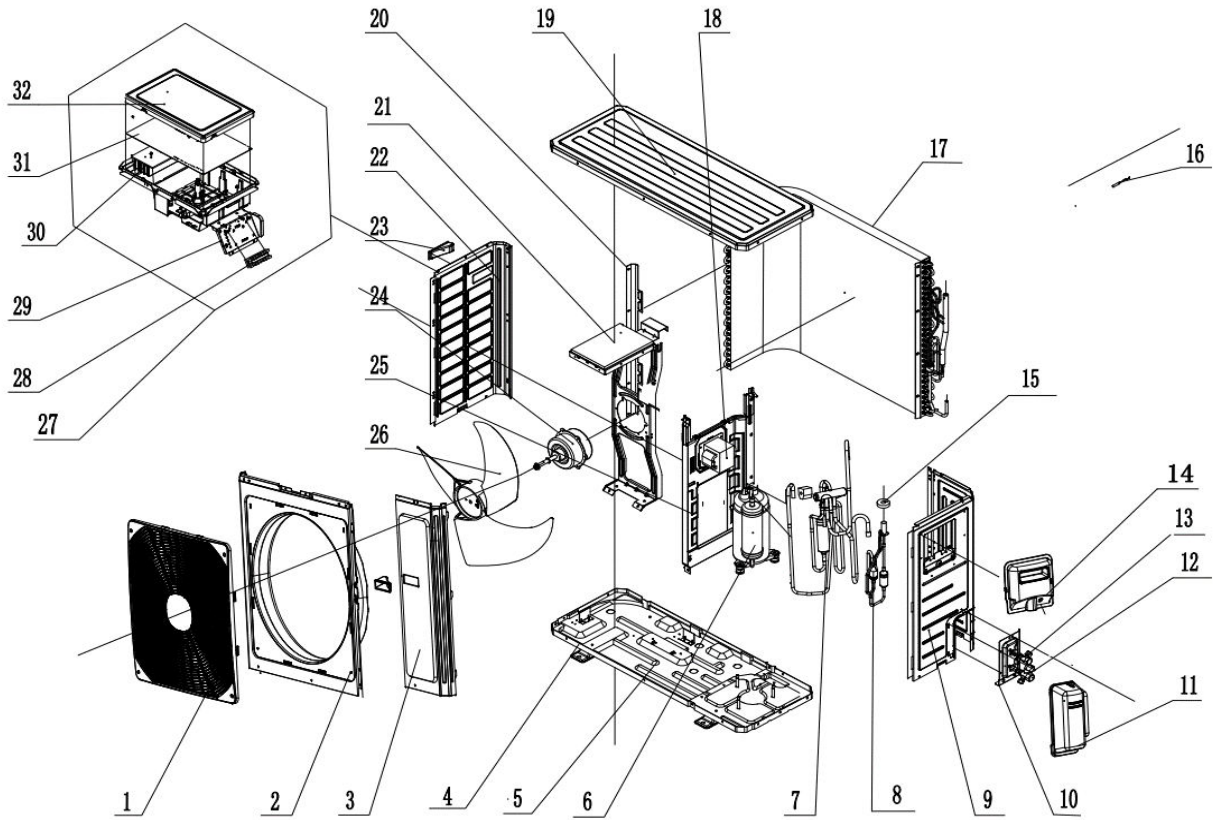


ASH-24BIS2W outdoor



No	Description	Part Code	Note	Qty	Price Code
MODEL: ASH-24BIS2/W (OUTDOOR)					
1	Front Grill	22415011		1	AM
2	Front Panel Assy	02200200001		1	AW
3	Front Side Plate	01305086P		1	AM
4	Chassis Sub-assy	017000000166P		1	AX
5	Electrical Heater (Chassis)	7651000411		1	AR
6	Compressor and Fittings	00105274		1	BR
7	4-Way Valve Assy	030152000260		1	AZ
8	Electronic Expansion Valve assy	030174000045		1	BA
9	Right Side Plate	0130504401P		1	AP
10	Valve Support Sub-Assy	0170506101P		1	AH
11	Valve Cover	22245003		1	AE
12	Cut off Valve	0713517901		1	AR
13	Cut off Valve Sub-Assy	07133934		1	AK
14	Big Handle	26235001		1	AG
15	Magnet Coil	4304000415		1	AS
16	Temperature Sensor	3900030901		1	AH
17	Condenser Assy	011002000285		1	BW
18	Reactor	none		0	-
19	Top Cover Sub-Assy	000051000026		1	AR
20	Condenser Support Plate	01175092		1	AF
21	Motor Support Sub-Assy	017012000015		1	AT
22	Left Side Plate	01305043P		1	AP
23	Left Handle	26235401		1	AB
24	Brushless DC Motor	15010400000102		1	AZ
25	Clapboard Sub-Assy	017021000067		1	AP
26	Axial Flow Fan	10335013		1	AP
27	Electric Box Assy	100002000609		1	BP
28	Terminal Board	422000060009		1	AG
29	Terminal Board Support sub-assy	01715016		1	AE
30	Radiator	4901521501		1	AR
31	Main Board	300027000308		1	BM
32	Electric Box Cover	20125002		1	AK
	Chassis electrical heater	7651000411			
	Temperature Sensor	39000072 / 3900030901			
	EXV / Capillary	072009000019/072009000019			
	4-Way Valve	4300008201			
	4-Way Valve Coil	4300040045			

The data are subject to change without notice.