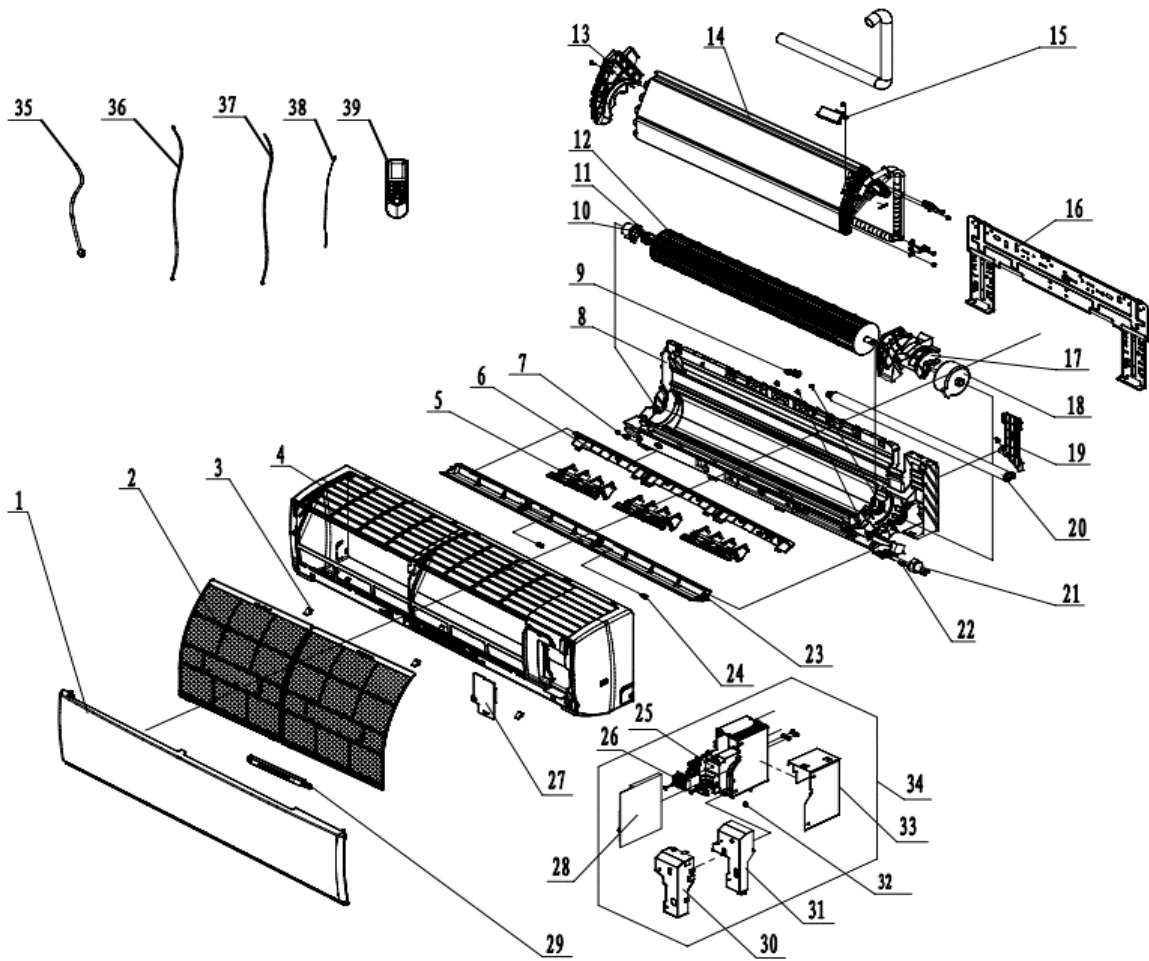


ASH-24BIS2W indoor



No	Description	Part Code	Note	Qty	Price Code
MODEL: ASH-24BIS2/W (INDOOR)					
1	Front Panel Assy	000003000093_L41423		1	-
2	Filter Sub-Assy	1101200703		2	AD
3	Screw Cover	22242191		3	AB
4	Front Case Assy	00000200064		1	AU
5	Air Louver	10512744		1	AB
6	Helicoid Tongue sub-assy	26112384		1	AF
7	Left Axile Bush	10512037		1	AB
8	Rear Case assy	00000100170		1	AX
9	Rubber Plug (Water Tray)	76712012		1	AC
10	Ring of Bearing	26152025		1	AC
11	O-Gasket sub-assy of Bearing	76512051		1	AC
12	Cross Flow Fan	10352057		1	AP
13	Evaporator Support	24212178		1	AE
14	Evaporator Assy	011001000095		1	BK
15	Cold Plasma Generator	1114001602		1	AP
16	Wall Mounting Frame	01252229		1	AK
17	Motor Press Plate	26112515		1	AE
18	Fan Motor	15012136		1	BC
19	Connecting pipe clamp	26112514		1	AB
20	Drainage Hose	0523001405		1	AD
21	Stepping Motor	1521240210		1	AG
22	Crank	73012005		1	AB
23	Guide Louver	10512503		1	AM
24	Axile Bush	10542036		2	AB
25	Electric Box	2011221102		1	AL
26	Terminal Board	42011233		1	AE
27	Electric Box Cover2	2011221001		1	AD
28	Main Board	300002000858		1	AZ
29	Display Board	300001000095		1	AR
30	Shield Cover of Electric Box	01592176		1	AD
31	Electric Box Cover	2011220901		1	AD
32	Jumper	4202021908		1	AA
33	Lower Shield of Electric Box	01592139		1	AD
34	Electric Box Assy	100002004011		1	-
35	Power Cord	none		0	-
36	Connecting Cable	4002052317		1	AN
37	Connecting Cable	none		0	-
38	Temperature Sensor	3900031302		1	AE
39	Remote Controller	305001000139_L41423		1	-
	Test Board Assy	000409000001_L41423		1	-
	Remote Holder	26150008			
	Temperature Sensor	3900031302			

The data are subject to change without notice.