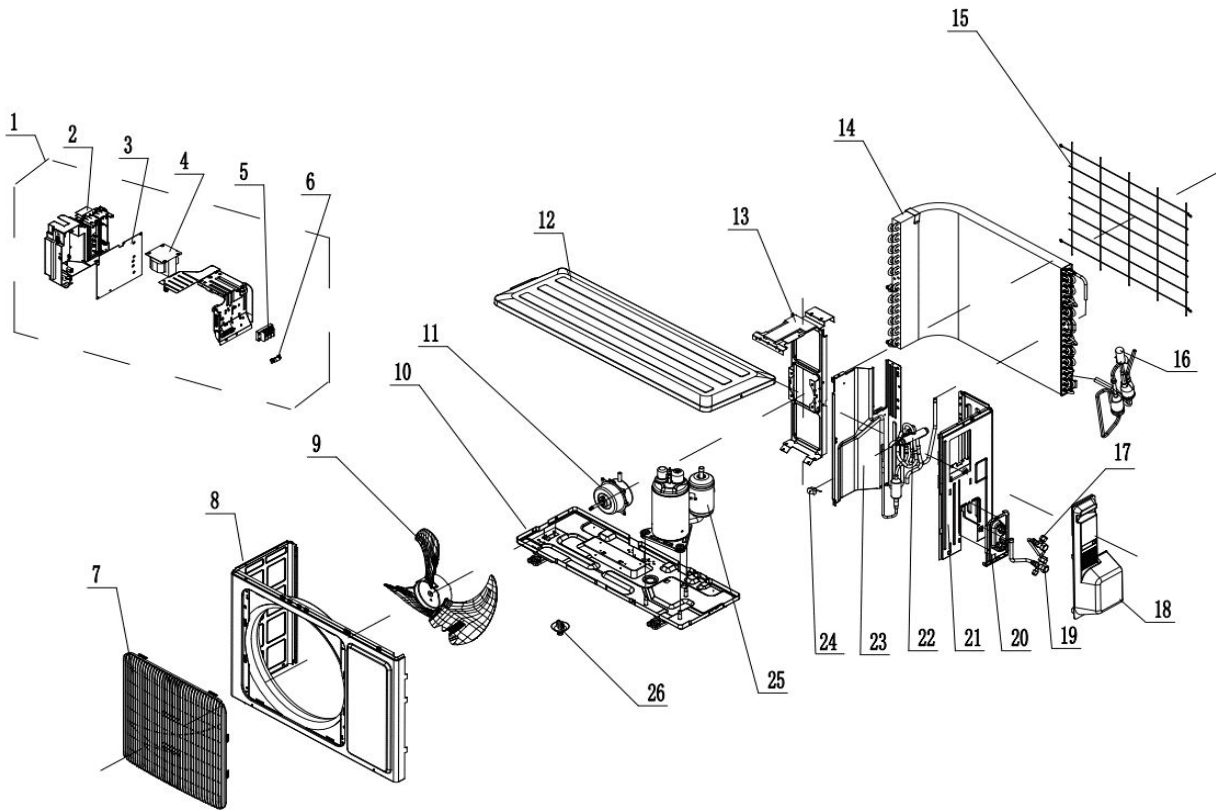


ASP-09BI outdoor



No	Description	Part Code	Note	Qty	Price Code
MODEL: ASP-09BI (OUTDOOR)					
1	Electric Box Assy	100002064342		1	-
2	Electric Box Sub-Assy	017007060831		1	-
3	Main Board	300027060561		1	-
4	Reactor	43130184		1	AS
5	Terminal Board	422000060016		1	AG
6	Wire Clamp	71010103		2	AB
7	Front Grill	22413049		1	AH
8	Front Panel Assy	0000030001511		1	AV
9	Axial Flow Fan	10333004		1	AM
10	Chassis Sub-assy	017000060298P		1	-
11	Brushless DC Motor	1501308511		1	AX
12	Top Cover Sub-Assy	000051060006		1	AM
13	Motor Support	01703104		1	AL
14	Condenser Assy	011002060497		1	-
15	Rear Grill	01473009		1	AF
16	Electronic Expansion Valve	07133821		1	AQ
17	Valve	07100003		1	AH
18	Big Handle	262334332		1	AE
19	Cut off Valve	071302391		1	AM
20	Valve Support	0171314201P		1	AE
21	Right Side Plate Assy	00013006002001		1	AK
22	4-Way Valve Assy	030152060251		1	-
23	Clapboard Sub-Assy	0123338502		1	AK
24	Magnet Coil	4300040050		1	AM
25	Compressor and Fittings	009001060050		1	BK
26	Drainage Connector	06123401		1	AA
	Temperature Sensor Outdoor	3900030805			
	Solenoid EXV	72002000012			

The data are subject to change without notice.