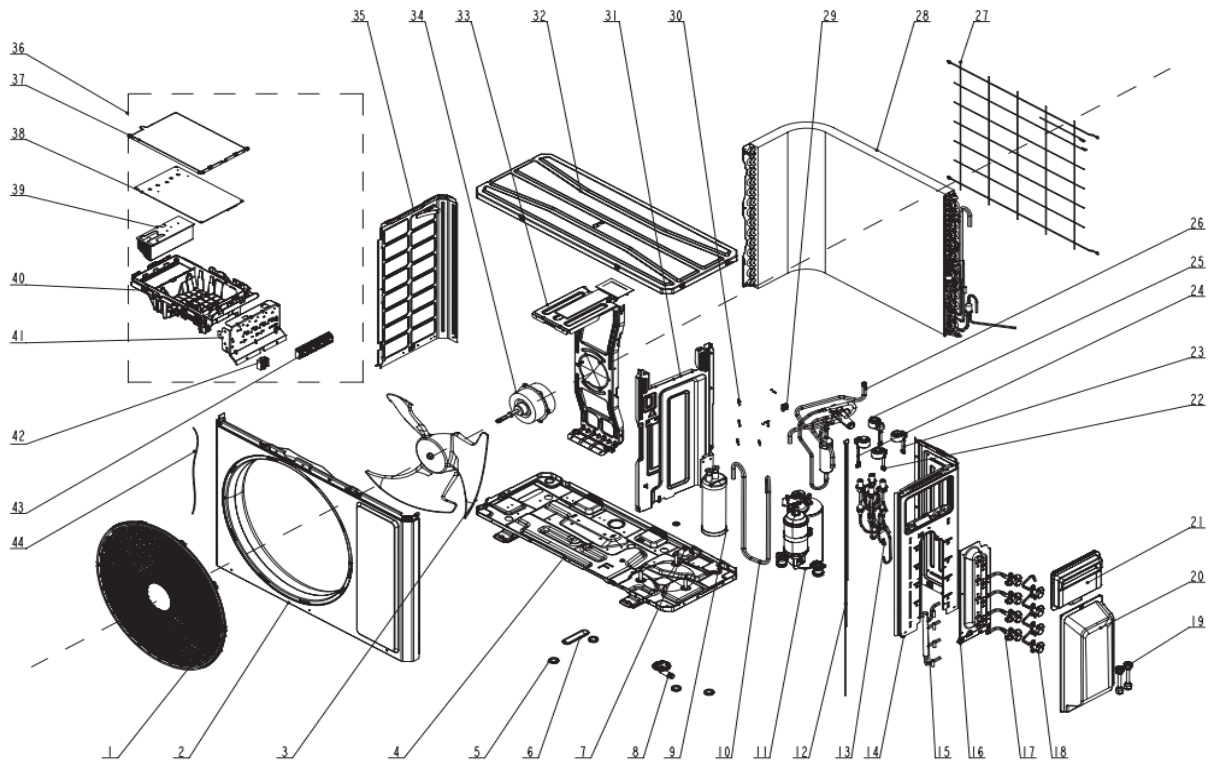


MV-E28BI2



No	Description	Part Code	Note	Qty	Price Code
MODEL: MV-E28B12 Outdoor unit					
1	Front Grill	200057060016		1	AG
2	Front Panel	012073061611P		1	
3	Axial Flow Fan	10335262		1	AL
4	Chassis Sub-assy	017000060725P		1	
5	Drainage hole Cap	06813401		4	AB
6	Drainage hole Cap	-			
7	Compressor Gasket	-			
8	Drainage Joint	26113009		1	AD
9	Gas-liquid Separator	07223048		1	AU
10	Inhalation Tube Sub-assy	035006062539		1	
11	Compressor and Fittings	00900106060301		1	BP
12	Temperature Sensor	3900030901		1	AH
13	Electronic Expansion Valve assy	030174060172		1	BA
14	Right Side Plate	012056060436P		1	AP
15	Gas Separator Sub-assy	-			
16	Valve Support Sub-assy	017104060051P		1	
17	Cut-off valve Sub-assy 3/8	071302391		1	AM
18	Cut-off valve Sub-assy 1/4	07130239		1	AG
19	Tube Connector Sub-assy	-			
20	Valve Cover	200087060007		1	AE
21	Cable Cross Plate	-			
22	Electric Expand Valve Coil	-			
23	Electric Expand Valve Fitting	07200206002324		1	AM
24	Electric Expand Valve Fitting	07200206002325		1	AM
25	Electric Expand Valve Coil	-			
26	4-Way Valve Assy	030152060698		1	AX
27	Rear Grill	016001060085		1	
28	Condenser Assy	011002061648		1	BP
29	Sensor Clamp	-			
30	Sensor Insert	-			
31	Clapboard Sub-Assy	017021060671		1	
32	Top Cover Assy	00009706033301		1	AR
33	Motor Support	012048060145		1	
34	Brushless DC Motor	1501506409		1	AZ
35	Left Side Plate	012055060393P		1	AM
36	Electric Box Assy	100002071827		1	
37	Electric Box Cover	-			
38	Main Board	300027061733		1	BH
39	Radiator	-			
40	Electric Box	-			
41	Terminal Board Support Assy	-			
42	Terminal Board	-			
43	Terminal Board	-			
44	Connecting Cable	-			
/	Temperature Sensor	3900007316		1	AG
/	Temperature Sensor	3900007319		1	AK
/	Temperature Sensor	3900007317		1	AG
/	Magnet Coil	4300040071		1	AK
/	Electrical Heater	765100049		1	AM
/	Left Handle	000223000018		1	AF
/	Electric Expand Valve Fitting	07200206002318		1	AM
/	Bottom chassis heater	765100049		1	

The data are subject to change without notice.