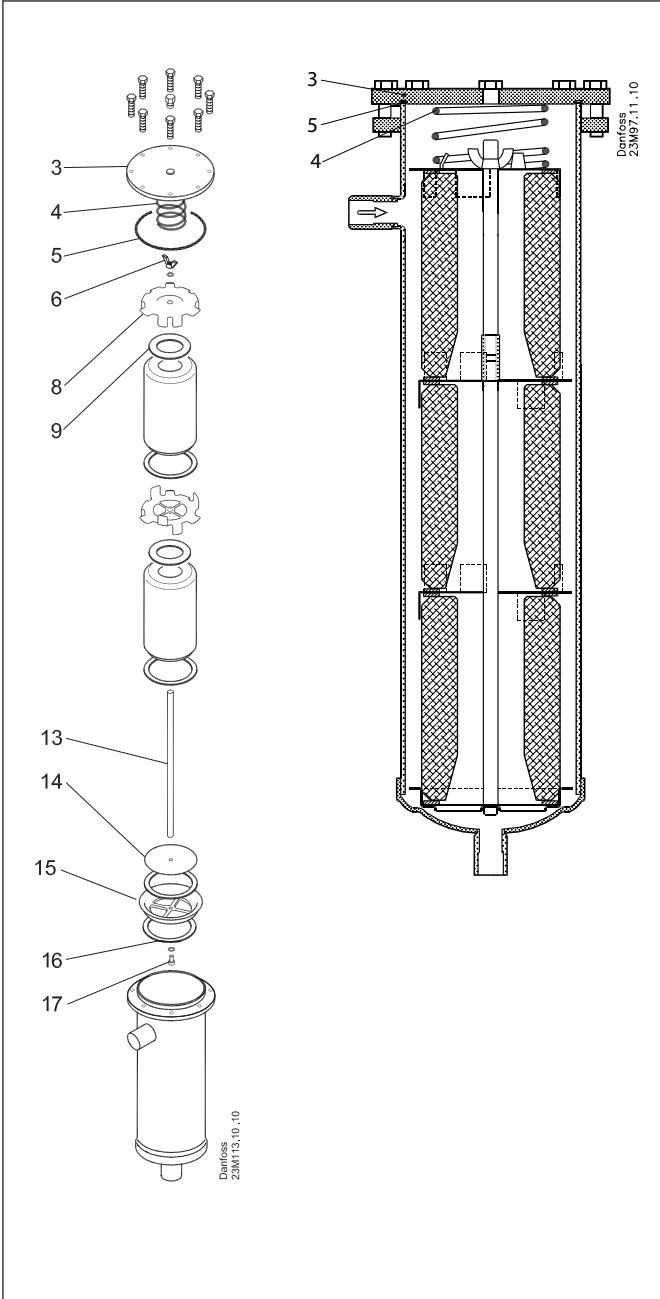
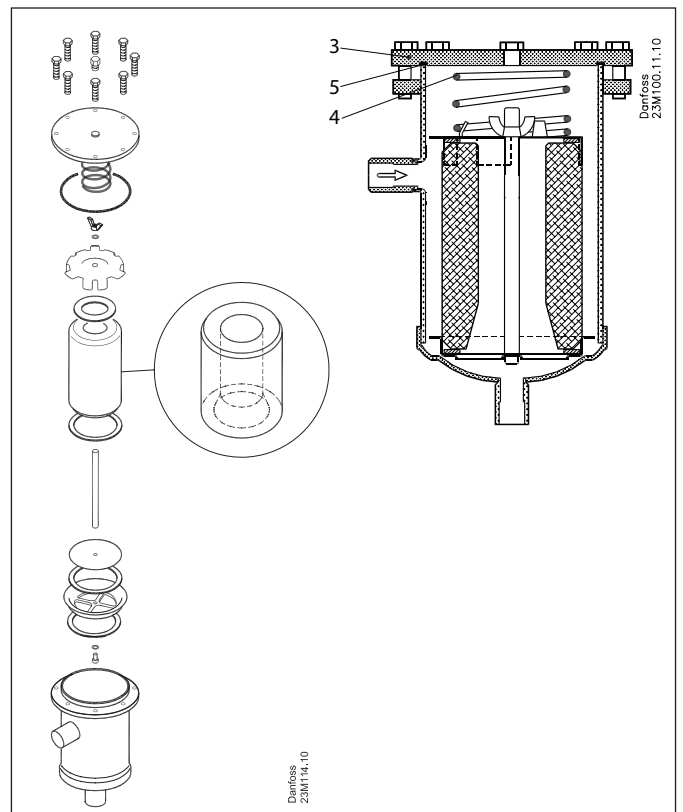


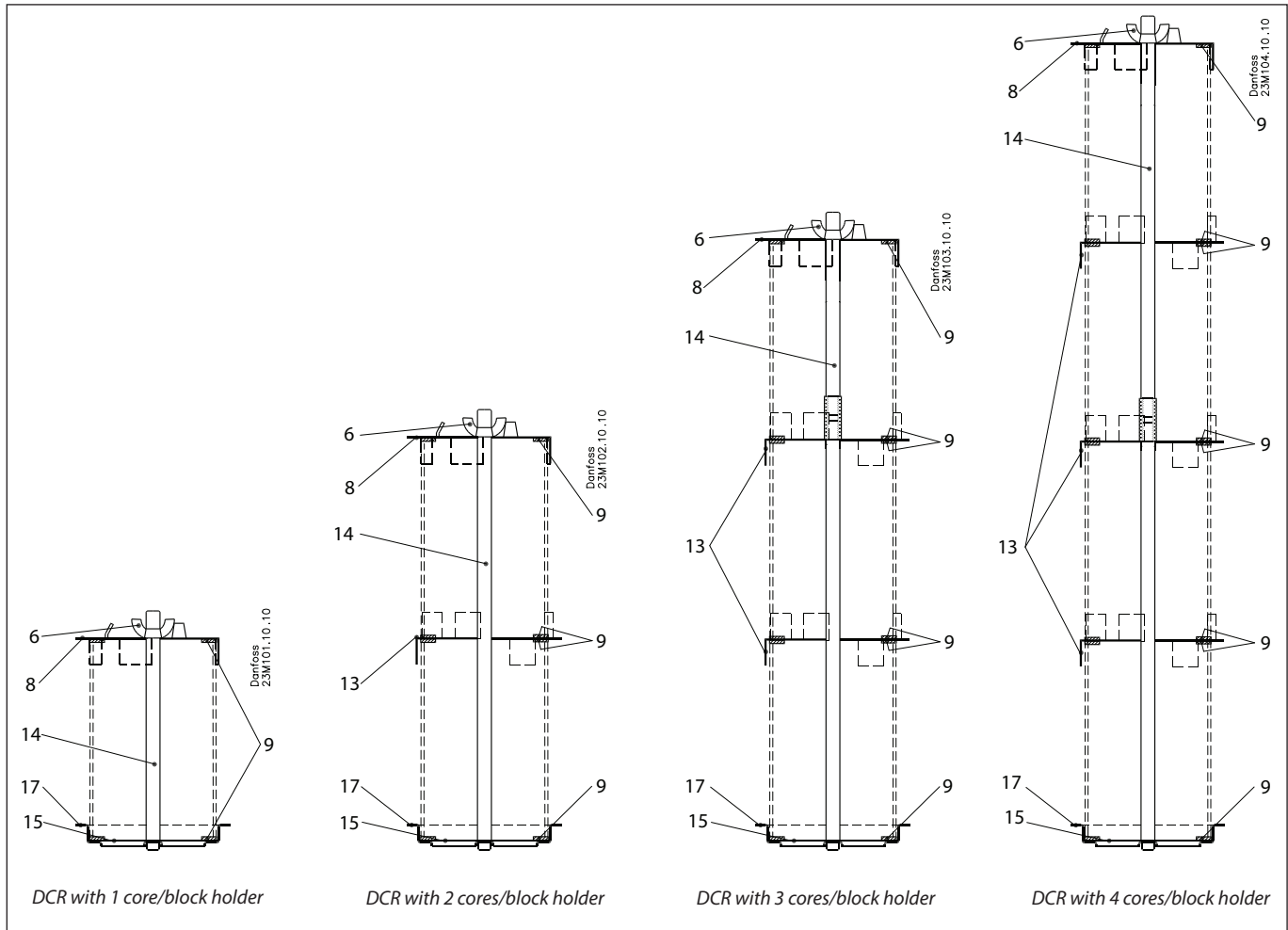
Spare parts and accessories

# ELIMINATOR® filter drier with replaceable solid core Type DCR



Pos.	Description	Qty.	Code no.
<b>Top cover gasket</b>			
5	Ø121.8 × Ø113.6 × 0.8 mm Suitable for: Danfoss DCR, Alco ADKS, Sporlan C, Catch All, Henry V, Parker P, Carly BCY	20	023U0055 023U2015
	5	Ø115.5 × Ø107.5 × 1.6 mm Suitable for: Hansa GT, Castel 441	
5	Ø123.5 × Ø115.0 × 1.6 mm Suitable for: KMP K	20	023U0057
5	Ø121.8 × Ø113.6 × 1.5 mm Heavy Duty and NH <sub>3</sub>	20	023U0058
<b>Spring</b>			
4	Ø55.0 × Ø47.0 mm	8	023U2019
<b>Felt gasket</b>			
9	Ø95.5 × Ø45.5 × 2 mm Suitable for: Danfoss DCR	20	023U2018
16	Ø95.5 × Ø78 × 2 mm Suitable for: Danfoss DCR	20	023U2016
<b>Top cover</b>			
3	With plug 1/4" NPT	1	023Z9906
3	Without plug	1	023Z9907





Pos.	Description	1-core	2-core	3-core	4-core
<b>1 - 4 core/block holder</b>					
6	Wing nut	<b>023Z9030</b>	<b>023Z9031</b>	<b>023Z9032</b>	<b>023Z9033</b>
8	Top plate				
9	Felt gasket				
13	Core plate				
14	Distance rod				
15	Wire mesh				
17	Core holder				