

Installation guide

# Pressure switch

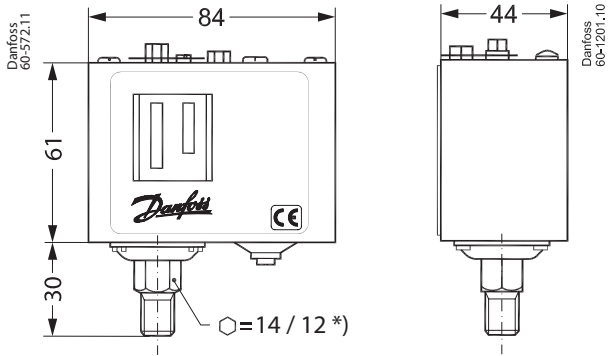
KP 33, KP 34, KP 35, KP 36 and KP 37



060R9309

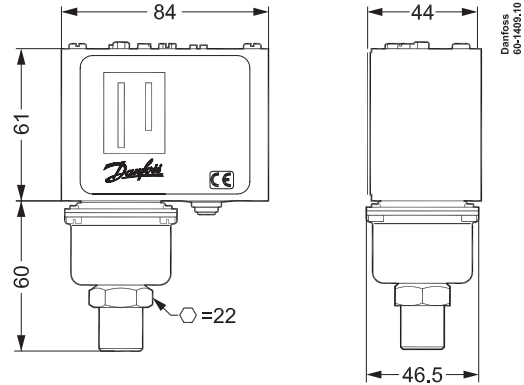
060R9309

**KP 35, KP 36, KP 37**

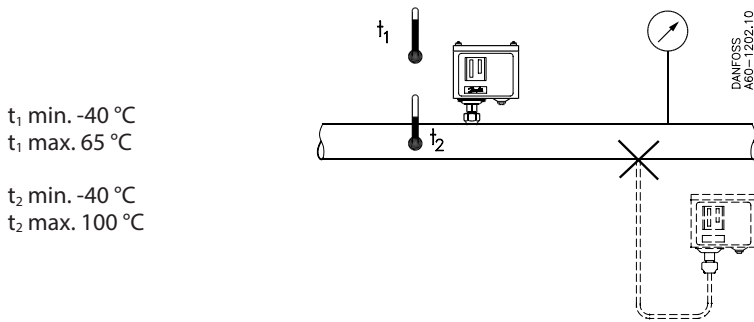


\*) KP 35 (060-604891)

**KP 33, KP 34**



**KP 33, KP 34, KP 35, KP 36, KP 37**

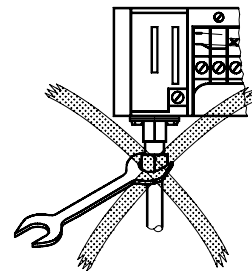
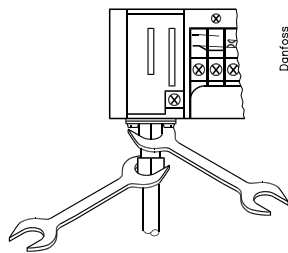


t<sub>1</sub> min. -40 °C  
t<sub>1</sub> max. 65 °C  
  
t<sub>2</sub> min. -40 °C  
t<sub>2</sub> max. 100 °C

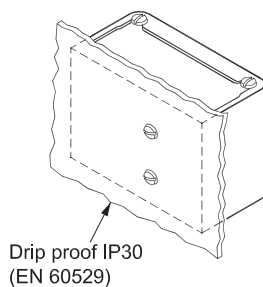
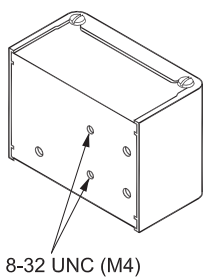
**P<sub>test max.</sub>**

KP 33: 10 bar  
KP 34: 6 bar  
KP 35: 22 bar (19 bar 060-604891)  
KP 36: 22 bar  
KP 37: 32 bar

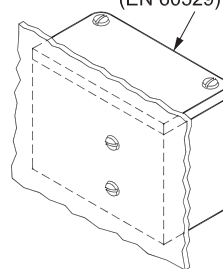
No maintenance is required for the switches after final installation.



**KP 35, KP 36, KP 37**



Enclosure IP44  
(EN 60529)



max. 1/8 in.  
(3mm)

**KP 33, KP 34**

max. 1/8 in.  
(2 mm)

Danfoss  
60-506.10

Danfoss  
60-1410.10



**CAUTION:**  
The mounting panel must be plane to avoid damage of switch.

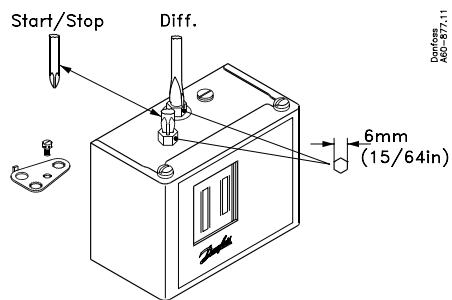
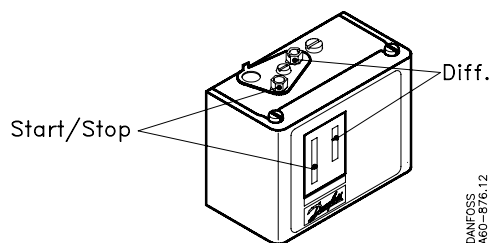
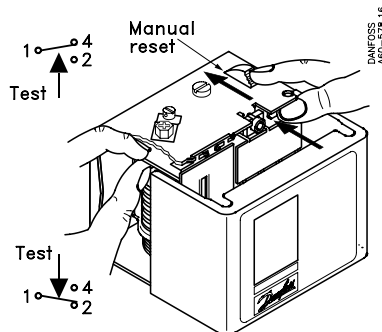
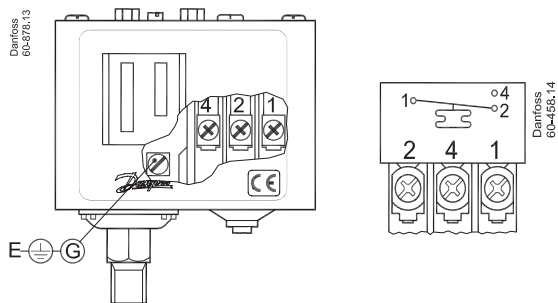
Імпортер: ТОВ з іі "Данфосс ТОВ" 04080, Київ 80, п/с 168, Україна

Info for UK customers only: Danfoss Ltd., 22 Wycombe End, HP9 1NB, GB

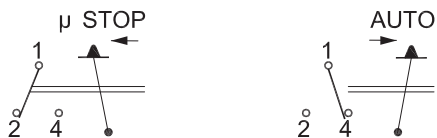
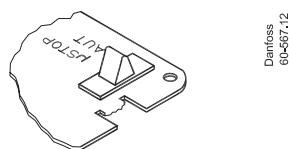


**CAUTION:**

Disconnect power supply before wiring connections are made or service to avoid possible electrical shock or damage to equipment.  
Do never touch live parts with your fingers or with any tool.



**Please note:** scale in KP units is indicative only. For accurate setting or when using according to FM approval use additional pressure gauge to set the unit.



KP 36	060-548766
-------	------------

**Electrical rating - General**

LR 112A	AC 1: 16 A	400 V	DC 13
	AC 3: 16 A		12 W
	AC 15: 10 A		220 V

When used acc. to UL or FM regulations

Voltage		FL	LR	Resist. load	Pilot duty
AC	DC	A	A		
240	-	8	48	8 A	3 A
120	-	16	96	16 A	
-	240	-	-	-	12 W

Use copper wire only  
Tightening torque 20 lb. in.

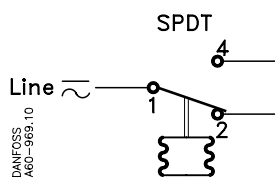
Contact system with standard AG contacts.  
Single pole changeover switch (SPDT).

**Alternating current:**

- AC-1: 16 A, 400 V
- AC-3: 16 A, 400 V
- AC-15: 10 A, 400 V

**Direct current:**

- DC-13: 12 W, 220 V



Contact system with gold contacts.

Single pole changeover switch (SPDT): **1 – 30 mA, 5 – 30 V DC**

Contact load when Au surface is burned away:

**Alternating current:**

- AC-1: 10 A, 400 V
- AC-3: 6 A, 400 V
- AC-15: 4 A, 400 V

**Direct current:**

- DC-13: 12 W, 220 V

