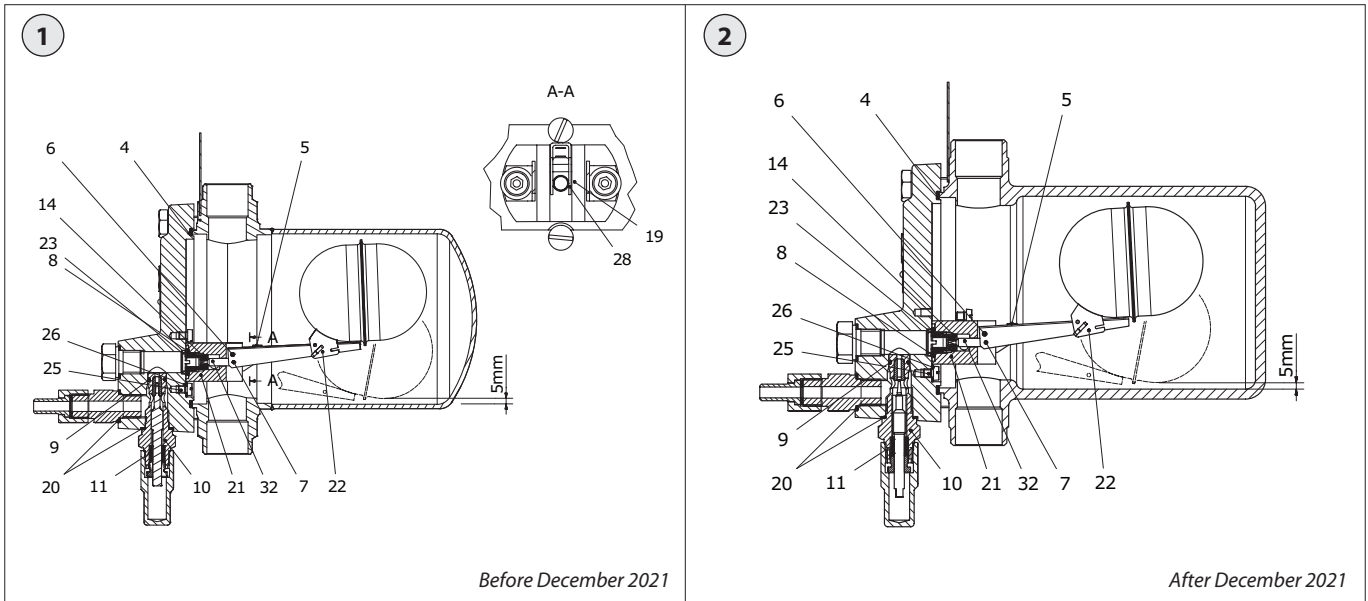


Data sheet

# Spare parts and accessories

## Type SV 1 and SV 3



| Description                               | Pos. # | Qty. | size | Code no. |
|---|--------|------|------|----------|
| <b>Insert assembly, fig. 1 and fig. 2</b> |        |      |      |          |
| Clamp                                     | 5      | 1    | 1    | 027B2051 |
| Pin                                       | 6      | 1    | 1    |          |
| Pin                                       | 7      | 1    | 1    |          |
| O-ring                                    | 8      | 1    | 1    |          |
| O-ring                                    | 14     | 1    | 1    |          |
| Spring washer                             | 19     | 2    | 1    |          |
| Valve body                                | 21     | 1    | 1    |          |
| Float assembly                            | 22     | 1    | 1    |          |
| Orifice                                   | 23     | 1    | 1    |          |
| Screw                                     | 25     | 2    | 1    |          |
| Nut                                       | 28     | 2    | 1    |          |
| Needle                                    | 32     | 1    | 1    |          |
| Clamp                                     | 5      | 1    | 3    |          |
| Pin                                       | 6      | 1    | 3    |          |
| Pin                                       | 7      | 1    | 3    |          |
| O-ring                                    | 8      | 1    | 3    |          |
| O-ring                                    | 14     | 1    | 3    |          |
| Spring washer                             | 19     | 2    | 3    |          |
| Valve body                                | 21     | 1    | 3    |          |
| Float assembly                            | 22     | 1    | 3    |          |
| Orifice                                   | 23     | 1    | 3    |          |
| Screw                                     | 25     | 2    | 3    |          |
| Nut                                       | 28     | 2    | 3    |          |
| Needle                                    | 32     | 1    | 3    |          |
| <b>Service kit, fig. 1 and fig. 2</b>     |        |      |      |          |
| Pin                                       | 6      | 1    | 1    | 027B2055 |
| Pin                                       | 7      | 1    | 1    |          |
| O-ring                                    | 14     | 1    | 1    |          |
| Orifice                                   | 23     | 1    | 1    |          |
| Needle                                    | 32     | 1    | 1    |          |
| Pin                                       | 6      | 1    | 3    | 027B2056 |
| Pin                                       | 7      | 1    | 3    |          |
| O-ring                                    | 14     | 1    | 3    |          |
| Orifice                                   | 23     | 1    | 3    |          |
| Needle                                    | 32     | 1    | 3    |          |
| <b>Bypass valve, fig. 1 and fig. 2</b>    |        |      |      |          |
| O-ring                                    | 9      | 1    | 1    | 027B2046 |
| Valve assembly                            | 10     | 1    | 1    |          |
| Gasket                                    | 20     | 1    | 1    |          |
| O-ring                                    | 9      | 1    | 3    | 027B2046 |
| Valve assembly                            | 10     | 1    | 3    |          |
| Gasket                                    | 20     | 1    | 3    |          |

| Description                        | Pos. # | Qty. | size    | Code no. |
|------------------------------------|--------|------|---------|----------|
| <b>Seal kit, fig. 1 and fig. 2</b> |        |      |         |          |
| Gasket                             | 4      | 1    | 1 and 3 | 027B2045 |
| O-ring                             | 8      | 1    | 1 and 3 |          |
| O-ring                             | 9      | 1    | 1 and 3 |          |
| Teflon gasket                      | 11     | 1    | 1 and 3 |          |
| O-ring                             | 14     | 1    | 1 and 3 |          |
| Gasket                             | 20     | 2    | 1 and 3 |          |
| Gasket                             | 26     | 1    | 1 and 3 |          |
| <b>Seal kit, fig. 1 and fig. 2</b> |        |      |         |          |
| Gasket                             | 4      | 1    | 1 and 3 | 027B2061 |
| <b>Pilot connector, fig. 3</b>     |        |      |         |          |
| Solder/weld ID 6.5/OD 10 mm        | -      | 1    | 1 and 3 | 027B2047 |
| Nipple assembly                    | -      | 1    | 1 and 3 |          |
| Gasket                             | -      | 1    | 1 and 3 |          |
| <b>Seal kit, fig. 4</b>            |        |      |         |          |
| Solder/weld pilot connector        | -      | 1    | 1 and 3 | 027B2028 |
| Alu gasket                         | -      | 4    | 1 and 3 |          |
| Gasket                             | -      | 4    | 1 and 3 |          |
| <b>Pilot connector, fig. 5</b>     |        |      |         |          |
| Nipple                             | -      | 4    | 1 and 3 | 027B2033 |
| Gasket                             | -      | 4    | 1 and 3 |          |