

3388219012

ROEN EST S.p.A. - Società a Socio Unico

34077 Ronchi dei Legionari (GO) - Italy

Tel.: +39 0481 474140 - Fax: +39 0481 779997

Web: www.roenest.com - Mail: info@roenest.com

ROENEST
GROUP
HEAT EXCHANGERS AND MORE

Selection n. 13329 of 26.11.2018 09:14 created by iztok.humar@roenest.com - Printed on 26.11.2018 09:14 by iztok.humar@roenest.com

Attention of UNIECHEMIE
Our reference RX.273.1.2000.2.DN100.1E

Exchanger data

Exchanger code RX.273.1.2000.2.DN100.1E
Capacity 192,00 kW
Margin on surface +8,9%

*Condensator.***External dimensions**

Length 2.118 mm
Width DN250
Weight 270,00 kg

Tube side

Tube material Copper
Fluid Propylen glycol 35%
Tube Passes 2
Velocity 0,96 m/s
Volumetric flow 27,53 m³/h
Inlet temperature 40 °C
Outlet temperature 46,4 °C
Fouling factor 0,000044 m²K/W
Pressure drop 11,8 kPa
Connection in FPT 4"
Connection out FPT 4"
Volume 36,08 dm³

Shell side

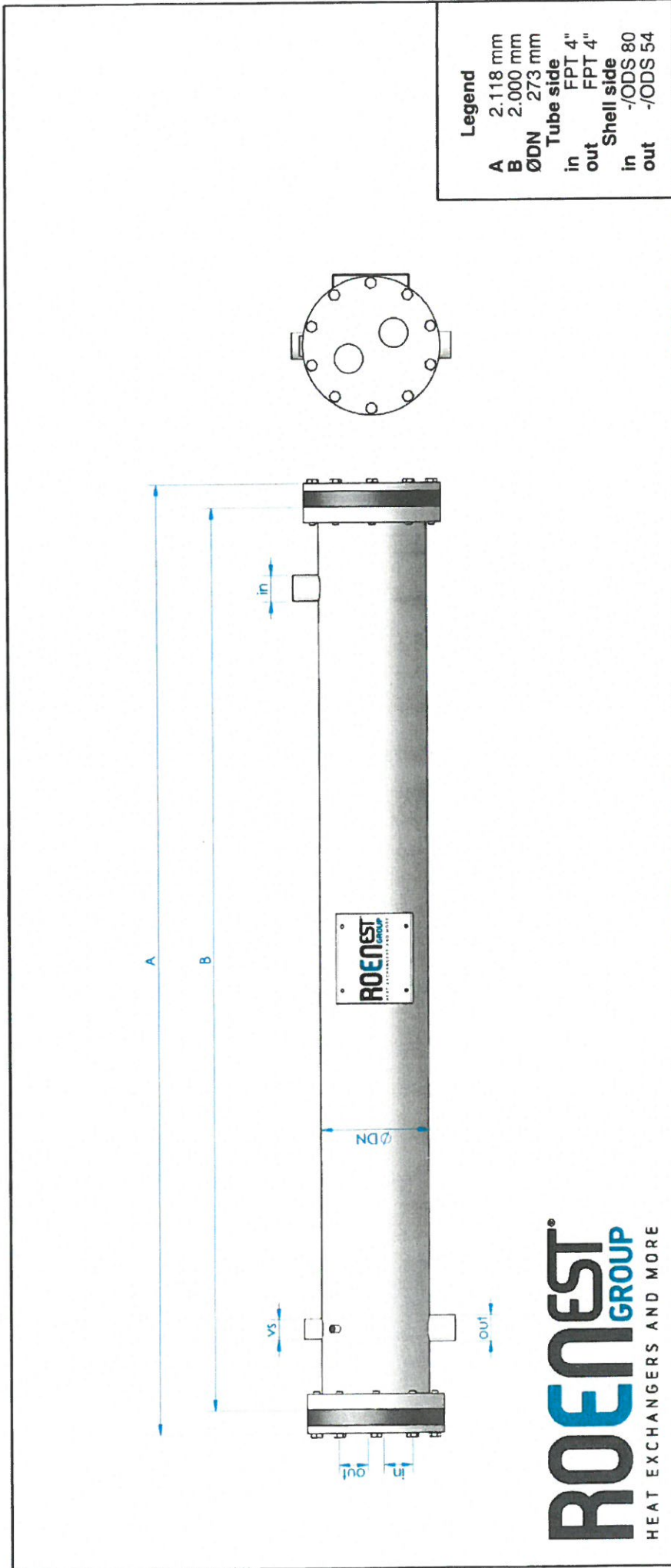
Shell material Carbon steel
Fluid R513A
Flow rate 1,24 kg/s
Inlet temperature 70,00 °C
Condensing temperature (dew) 50,00 °C
Pressure 13,77 bar(a)
Subcooling 0,00 K
Outlet temperature 49,99 °C
Fouling factor 0,000001 m²K/W
Pressure drop 0,996 kPa
Connection in -/ODS 80
Connection out -/ODS 54
In velocity 4,06 m/s
Out velocity 0,59 m/s
External diameter 273 mm
Volume 58,55 dm³

Approximated result (8,87 %)**Oil presence may decrease capacity**

SOFTWARE DISCLAIMER

The software program (the Software) was thoroughly tested by ROEN EST to ensure the utmost accuracy possible of the data generated by the Software itself. Anyone using the Software in whichever capacity (the User) is fully aware, and declares to have been informed by ROEN EST, that the Software could yield, for unforeseeable reasons, anomalous or unexpected results, causing loss of data or other negative consequences. The User understands he/she must act with due diligence to verify the full soundness of the data yielded by the Software, and expressly releases ROEN EST from any direct or indirect liability ascribable to the User or third party in any capacity resulting from the use of the Software itself.

In order to improve Software performance and features, ROEN EST reserves the right to modify the Software at any time and without prior notice.



SOFTWARE DISCLAIMER
 The software program (the Software) was thoroughly tested by ROEN EST to ensure the utmost accuracy possible of the data generated by the Software itself. Anyone using the Software in whichever capacity (the User) is fully aware, and declares to have been informed by ROEN EST, that the Software could yield, for unforeseeable reasons, anomalous or unexpected results, causing loss of data or other negative consequences.
 The User understands he/she must act with due diligence to verify the full soundness of the data yielded by the Software, and expressly releases ROEN EST from any direct or indirect liability ascribable to the User or third party in any capacity resulting from the use of the Software itself.
 In order to improve Software performance and features, ROEN EST reserves the right to modify the Software at any time and without prior notice.