

Installation guide

Pressure switch

KP 1, KP 1A, KP 5, KP 5A with gold plated contacts

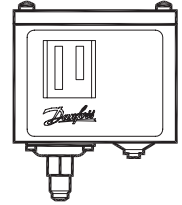
060R9504

060R9504

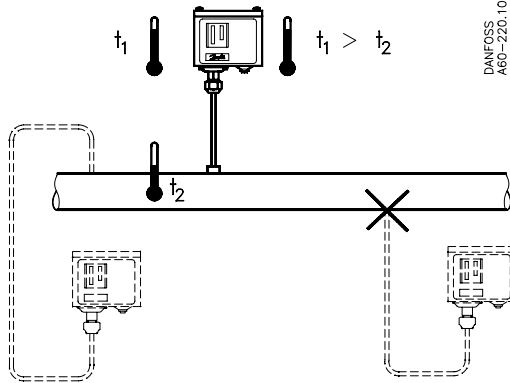
Refrigerants:

R22, R134a, R404A, R407A, R407C, R407F, R422B, R422D, R438A, R448A, R449A, R450A, R452A, R507A, R513A, R717*)

For complete list of approved refrigerants, go to <http://products.danfoss.com/all-products/>
*) only for KP 1A, KP 5A

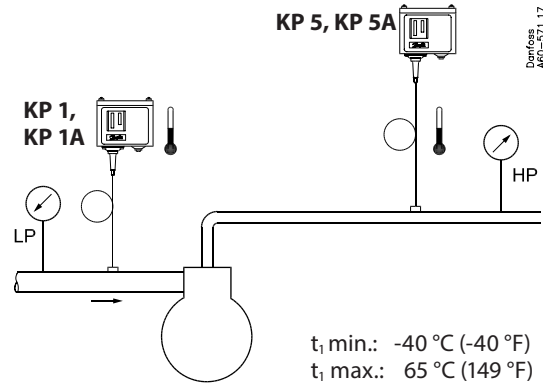


Mounting requirements



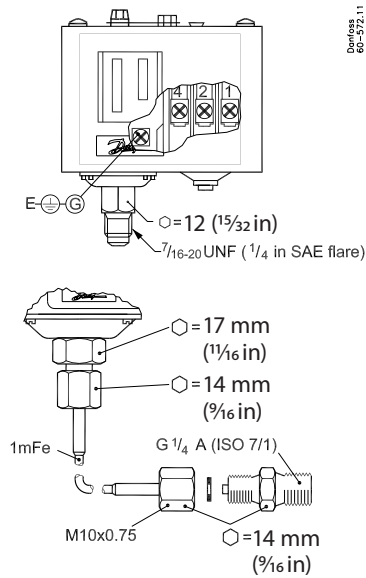
DANFOSS
A60-220.10

Ambient temperatures



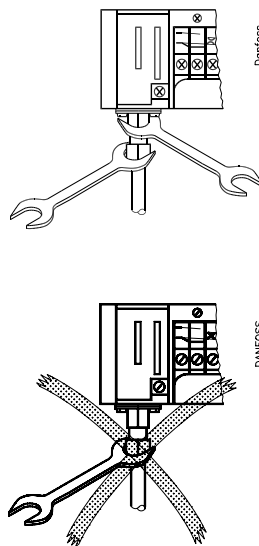
Danfoss
A60-571.17

Connections



Danfoss
60-572.11

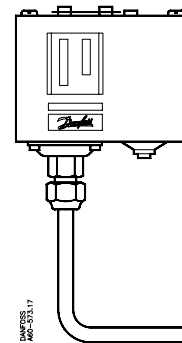
Mounting



Danfoss
60-467.12

DANFOSS
A60-468.12

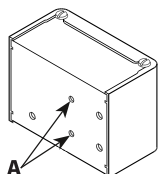
Test pressure (P_{test})



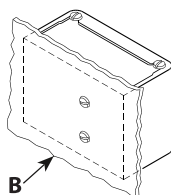
P_{test} max.
KP 1, KP 1A:
20 bar p_e (285 psig)
KP 5, KP 5A:
35 bar p_e (510 psig)

Type	Regulation range	PS/MWP
KP 1	-0.2 – 7.5 bar	17 bar/245 psig
KP 1 reset	-0.9 – 7 bar	17 bar/245 psig
KP 5	8 – 32 bar	35 bar/510 psig
KP 5 reset	8 – 32 bar	35 bar/510 psig

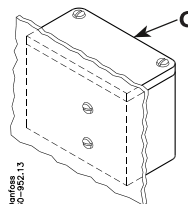
Enclosure



A: M4 (8 – 32 UNC)

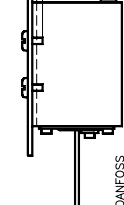


B: Enclosure IP30 (EN 60529)



C: Enclosure IP44 (EN 60529)

max. 3 mm
(1/8 in)



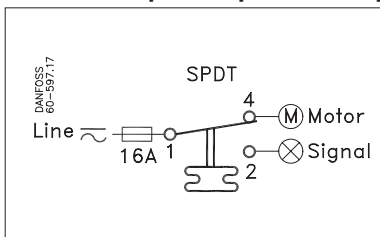
DANFOSS
A60-557.11.10



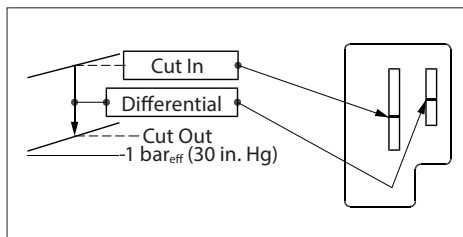
CAUTION:

Disconnect power supply before wiring connections are made or service to avoid possible electrical shock or damage to equipment. Do never touch live parts with your fingers or with any tool.

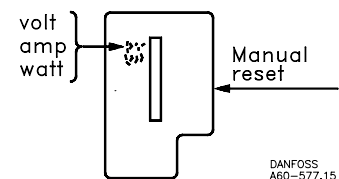
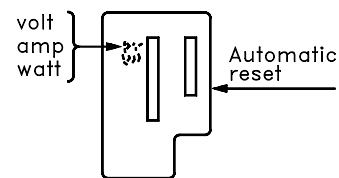
Contact 1-4 opens on pressure drop



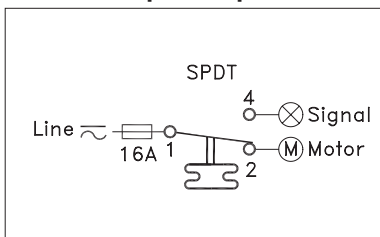
KP 1, KP 1A



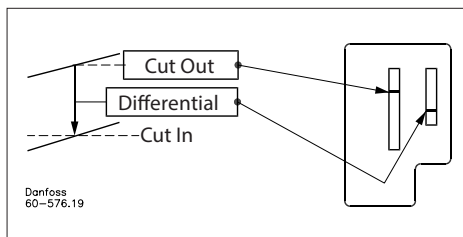
Setting



Contact 1-2 opens on pressure rise



KP 5, KP 5A

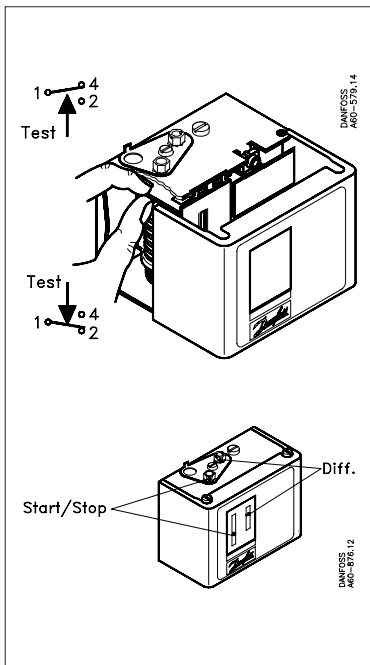


Contact load

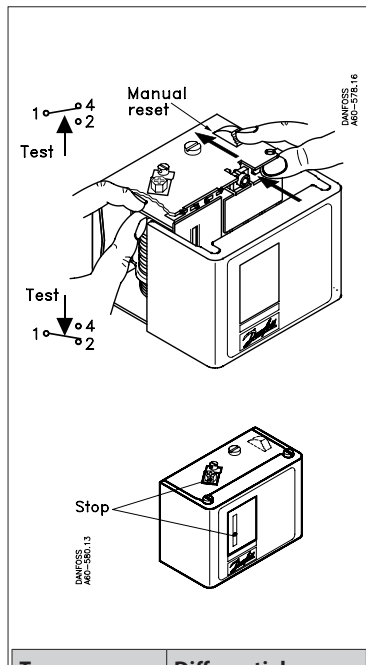
Regulation	Max.	30 mA/30 V DC
	Min.	1 mA/5 V DC
Alarm (Au surface is burnt away)	AC1:	10 A/400 V
	AC3:	6 A/400 V
	AC15:	4 A/400 V
	DC13:	12 W/220 V

Manual trip function

Automatic reset



Manual reset



Type	Differential
KP 1, KP 1A	0.7 bar (10 psi)
KP 5, KP 5A	3 bar (43 psi)

NOTE:
use FINGERS ONLY!
(Do NOT use screwdriver)

Adjustment

Range

- ⊕ Increase 360°
- ⊖ Decrease 360°

KP 1, KP 1A: 0.7 bar (10 psi)/rev.
KP 5, KP 5A: 2.3 bar (33 psi)/rev.

Differential

360° ⊖ ⊕
KP 1, KP 1A: 0.2 bar (3 psi)
KP 5, KP 5A: 0.3 bar (4 psi)

