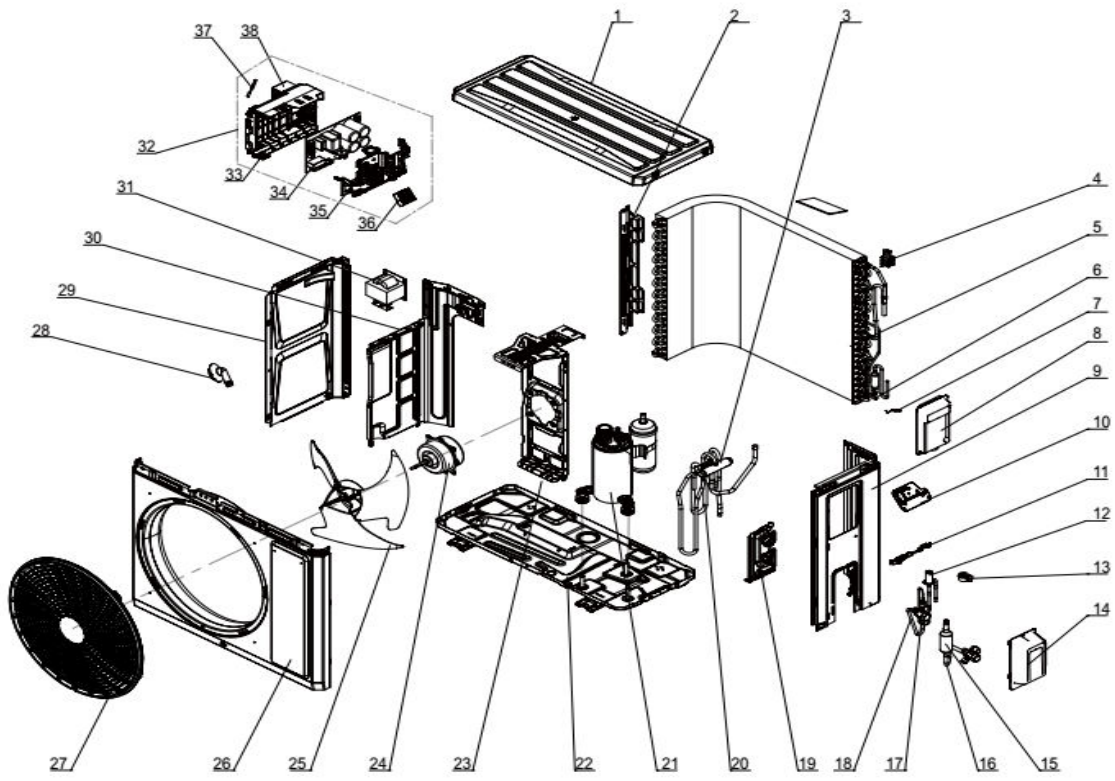


SOH-13BIT



No	Description	Part Code	Note	Qty	Price Code
MODEL: SOH-13BIT Outdoor unit					
1	Top Cover Assy	97060345		1	AM
2	Supporting Board(Condenser)	-			
3	4-Way Valve	72007060013		1	AP
4	Temperature Sensor Support	2421304201		1	AB
5	Condenser Assy	11002061463		1	BC
6	Temp Sensor Sleevng	5212423		1	AC
7	Sensor Insert	42020063		1	AD
8	Handle (Right)	200149060023		1	AE
9	Right Side Plate	012056060384P		1	AK
10	Earthing Plate Sub-assy	17246000001		1	AC
11	Wire Clamp	200015060018		1	
12	Electric Expansion Valve Sub-Assy	30026060854		1	AS
13	Electric Expand Valve Fitting	-			
14	Valve Cover	200087060004		1	AD
15	Silencer	35023000009		1	AG
16	Cut off Valve Sub-Assy	30057060359		1	AL
17	Strainer	-			
18	Cut off Valve Assy	-			
19	Valve Support	012044060022P		1	AE
20	4-Way Valve Assy	30152060677		1	AU
21	Compressor and Fittings	9001060648		1	BF
22	Chassis Sub-assy	017000060636P		1	AS
23	Motor Support Assy	46060128		1	
24	Brushless DC Motor	1501308517		1	AV
25	Axial Flow Fan	10333428		1	AG
26	Cabinet	012022060012P		1	AQ
27	Front Grill	200057060013		1	AF
28	Drainage Joint	26113009		1	AD
29	Left Side Plate	012055060342P		1	AK
30	Clapboard Sub-Assy	17021060544		1	AK
31	Reactor	-			
32	Electric Box Assy	100002071775		1	
33	Electric Box	20001306007301		1	
34	Main Board	300027061652		1	BD
35	Electric Box Cover	200082060058		1	AE
36	Terminal Board	422000060075		1	AF
37	Temperature Sensor	3900030907		1	AK
38	Radiator	430034060108		1	AL
/	Cut-off valve 1/4(N)	70001060022		1	AG
/	Sponge(Condenser)	1212309101		1	AB
/	Electrical Heater	7651000423		1	AP
/	4-way valve + coil	4300040072		1	AG
/	EXV valve + coil	30026060854		1	AR

The data are subject to change without notice.