



# condensing unit guard

Easy to install durable powder coated aluminium framework and steel panels.



## KEY FEATURES

- A range of 3 sizes
- Panels are removable to allow maintenance of the unit
- Adjustable feet to allow services at ground level
- Bottom panels and drip tray available for guard fixed at high level on wall
- Back panel available for free standing units
- Screws included

## SPECIFICATIONS

Materials of construction

Zinc passivated steel with powder coating (ivory)



Have you considered your unit mounting options...  
Big Foot Systems

'Fix-it Foot', available in various sizes up to 1m.

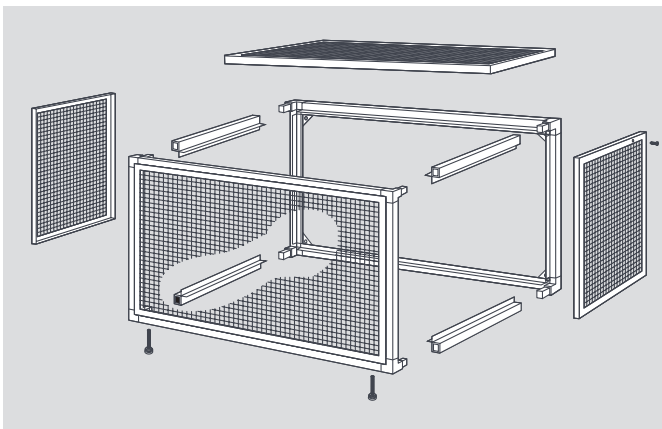


## SIZING OPTIONS

Size	Weight	Ext. Height (mm)	Ext. Width (mm)	Ext. Depth (mm)	Int. Height (mm)	Int. Width (mm)	Int. Depth (mm)	Part No.
Small	19kg	700	1000	450	600	900	350	B6192
Medium	28.5kg	1100	1100	600	1000	1000	500	B6191
Large	34kg	1400	1100	600	1300	1000	500	B6190

Individual panel part numbers:

Small front/back: Part No. B6404, Small top/bottom: Part No. B6406, Small sides: Part No. B6405  
Medium front/back: Part No. B6401, Medium top/bottom: Part No. B6402, Medium sides: Part No. B6402  
Large front/back: Part No. B6398, Large top/bottom: Part No. B6402, Large sides: Part No. B6399



For further details please refer to our website [aspenpumps.com/xtra](http://aspenpumps.com/xtra)

Information correct at time of going to press.



[aspenpumps.com/xtra](http://aspenpumps.com/xtra)



+44 (0)1323 848842



[xtra@aspenpumps.com](mailto:xtra@aspenpumps.com)

the installer's choice