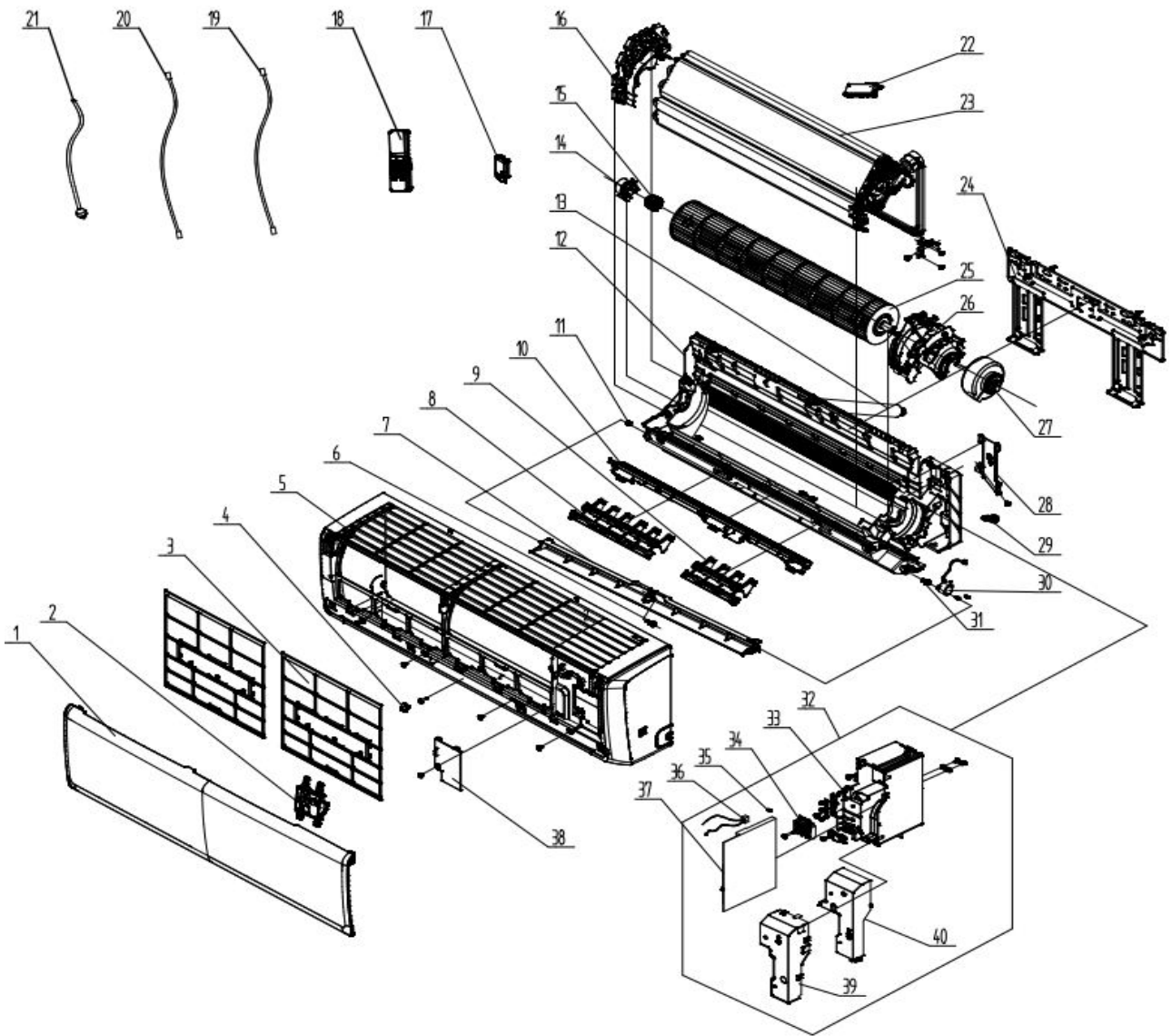


SIH-12BIK (2022)



No	Description	Part Code	Note	Qty	Price Code
MODEL: SIH-12BIK (2022)					
1	Front Panel	200003060192T		1	
2	Display Board	300001000037		1	
3	Filter Sub-Assy	1112246803		2	
4	Screw Cover	24252030		1	
5	Front Case	20000206004601		1	
6	Axile Bush	10542036		1	
7	Guide Louver	200004060094		1	
8	Air Louver (left)	10512725		1	
9	Air Louver(right)	10512726		1	
10	Helicoid Tongue	26112436		1	
11	Left Axile Bush	10512037		1	
12	Rear Case assy	000001000044		1	
13	Drainage Hose	05230014		1	
14	Ring of Bearing	26152022		1	
15	O-Gasket sub-assy of Bearing	76512051		1	
16	Evaporator Support 2	24212179		1	
17	Test Board Assy	000409060023		1	
18	Remote Controller	305001060060		1	
19	Connecting Cable	none		0	
20	Connecting Cable	4002052317		0	
21	Power Cord	none		0	
22	Cold Plasma Generator	1114001606		1	
23	Evaporator Assy	0100297601		1	
24	Wall Mounting Frame Sub-assy	01252484		1	
25	Cross Flow Fan	10352056		1	
26	Motor Press Plate	26112516		1	
27	Fan Motor	1501214606		1	
28	Connecting pipe clamp	2611216401		1	
29	Rubber Plug (Water Tray)	76712012		1	
30	Stepping Motor	1521210712		1	
31	Crank	73012005		1	
32	Electric Box Assy	100002077064		1	
33	Electric Box	2011220603		1	
34	Terminal Board	42011233		1	
35	Jumper	4202021906		1	
36	Temperature Sensor	3900031302		1	
37	Main Board	300002062288		1	
38	Electric Box Cover Sub-Assy2	0140206501		1	
39	Shield Cover of Electric Box Cover	01592150		1	
40	Electric Box Cover	20112207		1	

The data are subject to change without notice.