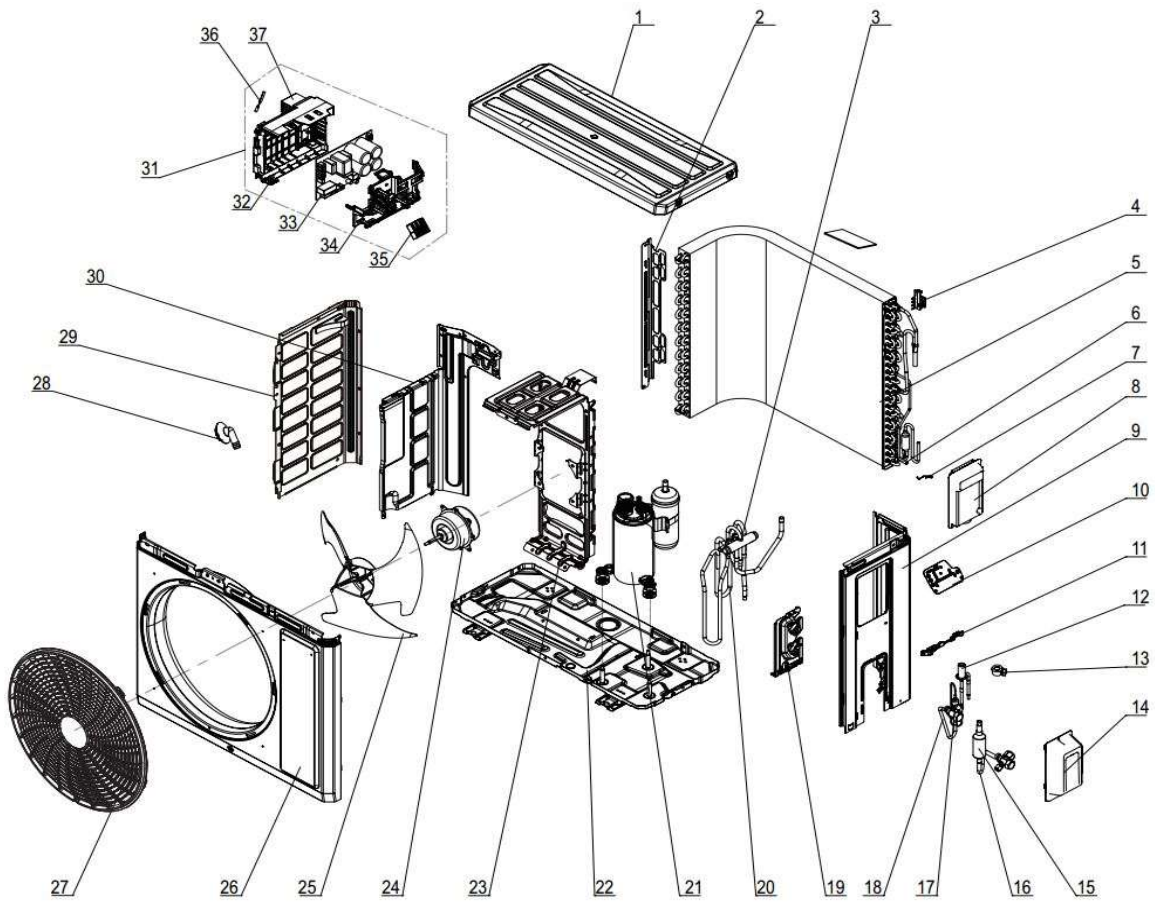


# SOH-12BIM OUTDOOR



No	Description	Part Code	Note	Qty	Price Code
<b>MODEL: SOH-12BIM (OUTDOOR)</b>					
1	Top Cover Assy	000097060345		1	
2	Supporting Board(Condenser)	none		0	
3	4-Way Valve	072007060013		1	
4	Sponge(Condenser)	1212309101		1	
5	Temperature Sensor Support	none		0	
6	Condenser Assy	011002061463		1	
7	Magnet Coil	4300040072		1	
8	Handle (Right)	200149060023		1	
9	Right Side Plate	01205606038402P		1	
10	Earthing Plate Sub-assy	017246000004		1	
11	Wire Clamp	200015060018		1	
12	Electronic Expansion Valve	07133821		1	
13	Electric Expand Valve Fitting	07200206002301		1	
14	Valve Cover	200087060004		1	
15	Silencer	035023000009		1	
16	Cut off Valve Sub-Assy	030057060359		1	
17	Strainer	0721302611		1	
18	Cut-off valve 1/4(N)	070001060022		1	
19	Valve Support	012044060022P		1	
20	4-Way Valve Assy	030152060868		1	
21	Compressor and Fittings	009001060648		1	
22	Chassis Sub-assy	017000060724P		1	
23	Motor Support	012048060149		1	
24	Brushless DC Motor	150104060095		1	
25	Axial Flow Fan	10333428		1	
26	Cabinet	012022060012P		1	
27	Front Grill	200057060013		1	
28	Drainage Joint	26113009		1	
29	Left Side Plate	012055060397P		1	
30	Clapboard Sub-Assy	017021060544		1	
31	Electric Box Assy	100002075172		1	
32	Electric Box	20001306007301		1	
33	Main Board	300027062484		1	
34	Electric Box Cover	200082060058		1	
35	Terminal Board	422000060075		1	
36	Temperature Sensor	3900030811		1	
37	Radiator	430034060108		1	

The data are subject to change without notice.