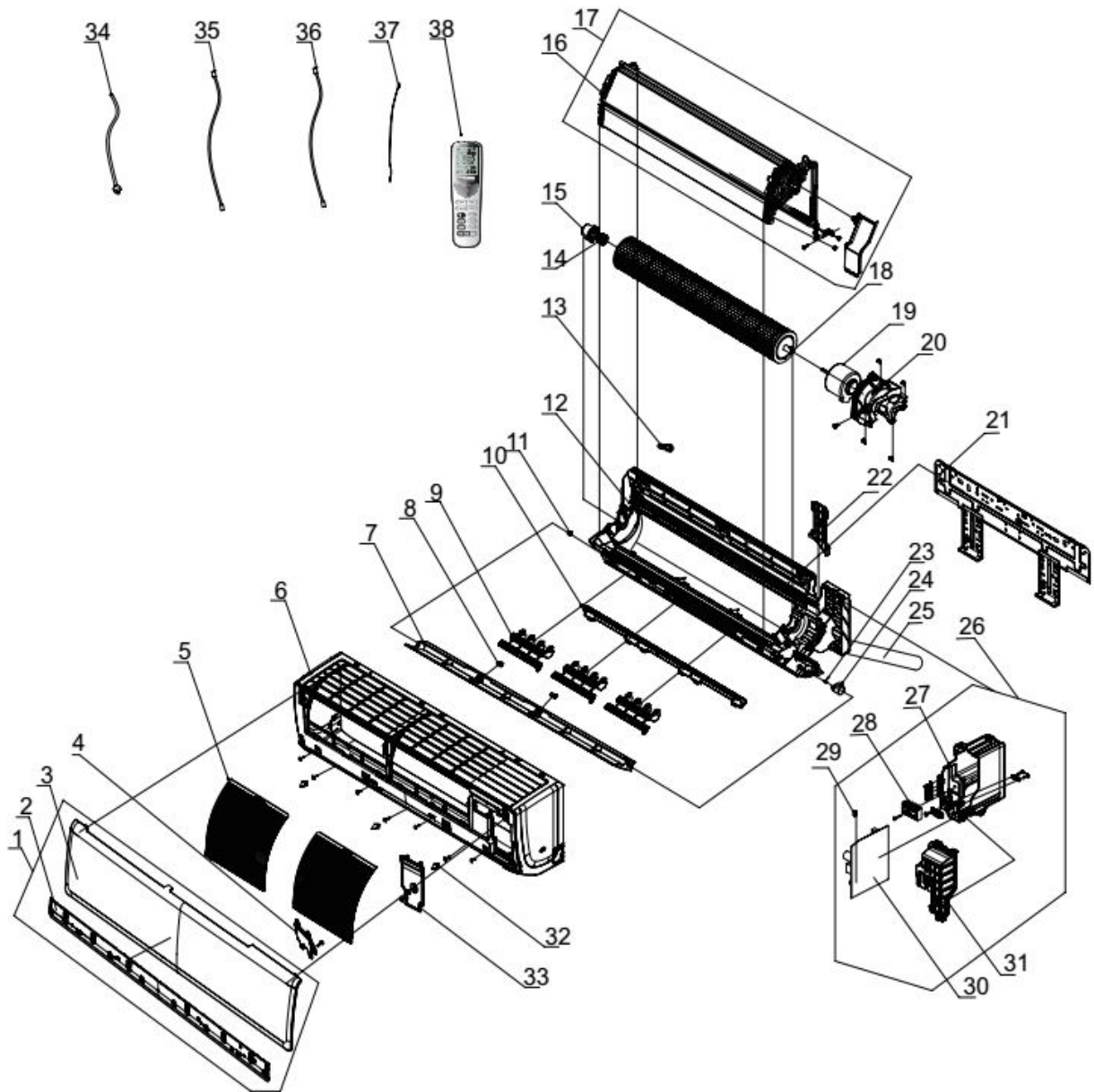


SIH-18BIK



No	Description	Part Code	Note	Qty	Price Code
MODEL: SIH-18BIK indoor unit					
1	Front Panel Assy	-		0	
2	Decorative Strip	-		0	
3	Front Panel	200003060194T		1	AH
4	Display Board	300001000037		1	AL
5	Filter Sub-Assy	1112208906		2	AD
6	Front Case	200002060049		1	AN
7	Guide Louver	200004060100		1	AF
8	Axile Bush	10542036		2	AB
9	Air Louver	10512736		1	AB
10	Helicoid Tongue	26112512		1	AC
11	Left Axile Bush	10512037		1	AB
12	Rear Case assy	00000100001		1	AX
13	Rubber Plug (Water Tray)	76712012		1	AC
14	O-Gasket sub-assy of Bearing	76512051		1	AC
15	Ring of Bearing	26152025		1	AC
16	Evaporator Support	24212177		1	AD
17	Evaporator Assy	01100100020401		1	BD
18	Cross Flow Fan	10352060		1	AN
19	Fan Motor	1501214508		1	AU
20	Motor Press Plate	26112511		1	AD
21	Wall Mounting Frame	01362026		1	AK
22	Connecting pipe clamp	2611218801		1	AB
23	Crank	73012005		1	AB
24	Stepping Motor	1521240212		1	AG
25	Drainage Hose	05230014		1	AD
26	Electric Box Assy	100002072436		1	AY
27	Electric Box	200013060001		1	AG
28	Terminal Board	422000000022		1	AF
29	Jumper	4202021910		1	AA
30	Main Board	300002062260		1	AV
31	Electric Box Cover	200082060002		1	AE
32	Screw Cover	242520179		3	AB
33	Electric Box Cover2	200082060001		1	AE
34	Power Cord	-		0	
35	Connecting Cable	4002052317		1	AM
36	Connecting Cable	4002052317		1	
37	Temperature Sensor	3900031302		1	AE
38	Remote Controller	305001000078		1	AT
-	L+R stepp motor	1521210704		1	AG
-	Wi-Fi module	30110144		1	AW
-	Indoor temp. sensors	3900031302		1	AE
-	SAF-OPWC4	053511000000890			
-	SAF-OPWA4	053511000000895			

The data are subject to change without notice.