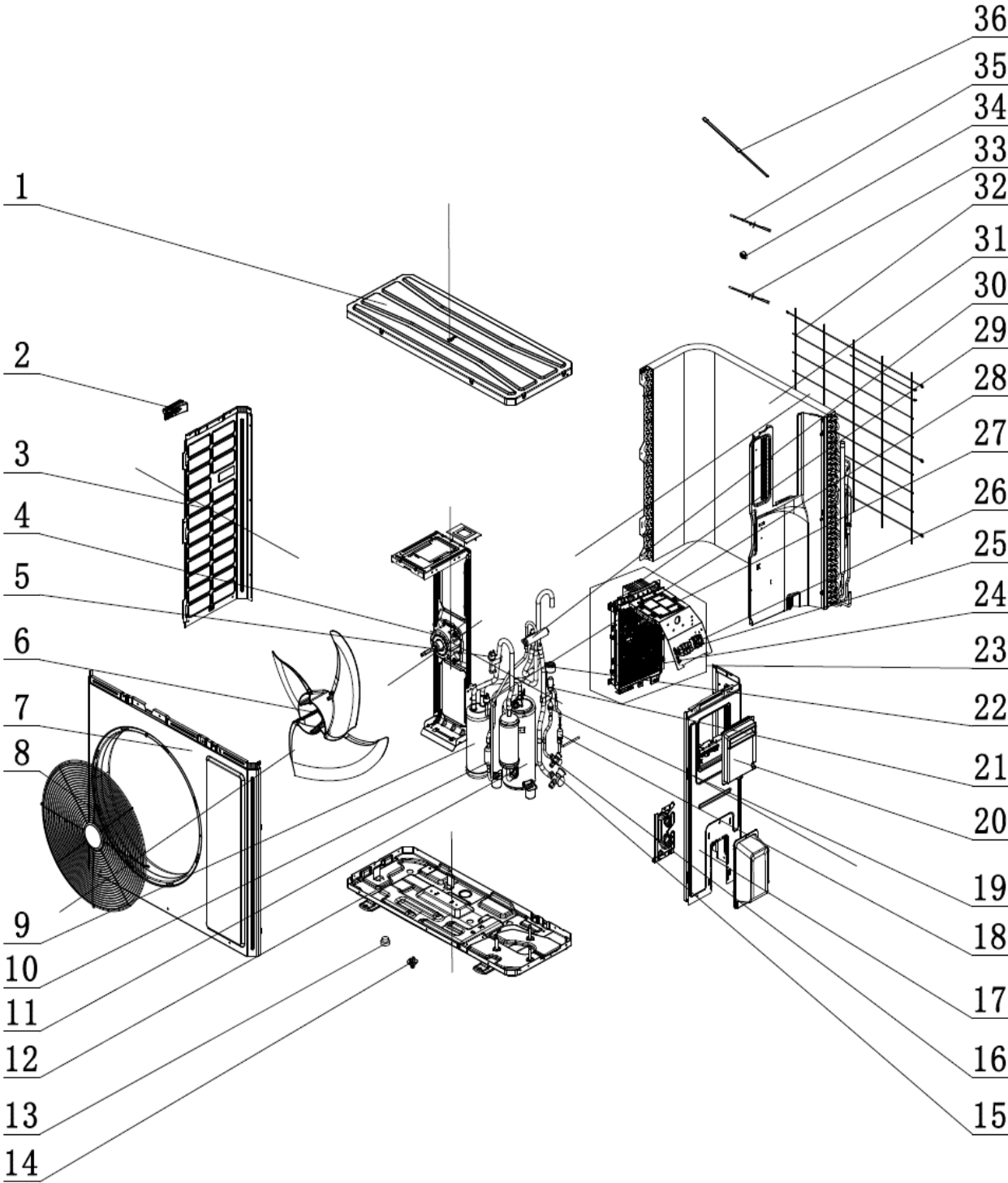


# ASGE-42BI2



No	Description	Part Code	Note	Qty	Price Code
<b>MODEL: ASGE-42BI2</b>					
1	Top Cover Sub-Assy	000051060168		1	
2	Handle	26233053		1	
3	Left Side Plate	012055060419P		1	
4	Brushless DC Motor	15010406011801		1	
5	Pressure Protect Switch	46020007		1	
6	Axial Flow Fan	1043410000501		1	
7	Cabinet	012022060021P		1	
8	Front Grill	200057060031		1	
9	Gas-liquid Separator	03502706001901		1	
10	Silencer	07245007		1	
11	Compressor and Fittings	009001060690		1	
12	Chassis Sub-assy	01700006077204P		1	
13	Drainage hole Cap	06813401		4	
14	Drainage Joint	26113009		1	
15	Cut off Valve	070001060034		1	
16	Cut off Valve	070001060035		1	
17	Right Side Plate	012056060460P		1	
18	Strainer-filter	07225088		1	
19	Strainer-filter	0721304401		1	
20	Handle	200149060022		1	
21	Electronic Expansion Valve	072009000018		1	
22	Electric Expand Valve Fitting	07200206002309		1	
23	Electric Box Assy	100002073561		1	
24	Main Board	300027061865		1	
25	Terminal Board	42200000001501		1	
26	Terminal Board	420001000002		1	
27	Filter Board	300020060085		1	
28	Pressure Protect Switch	4602000603		1	
29	Radiator	430034060159		1	
30	4-way Valve	4300008201		1	
31	Condenser Assy	011002061832		1	
32	Rear Grill	016001060101		1	
33	Temperature Sensor	390002060140		1	
34	4 Way Valve Coil	07201006000219		1	
35	Temperature Sensor	390000598		1	
36	Electrical Heater	7651000427		1	
-					
-					
-					
-					

The data are subject to change without notice.