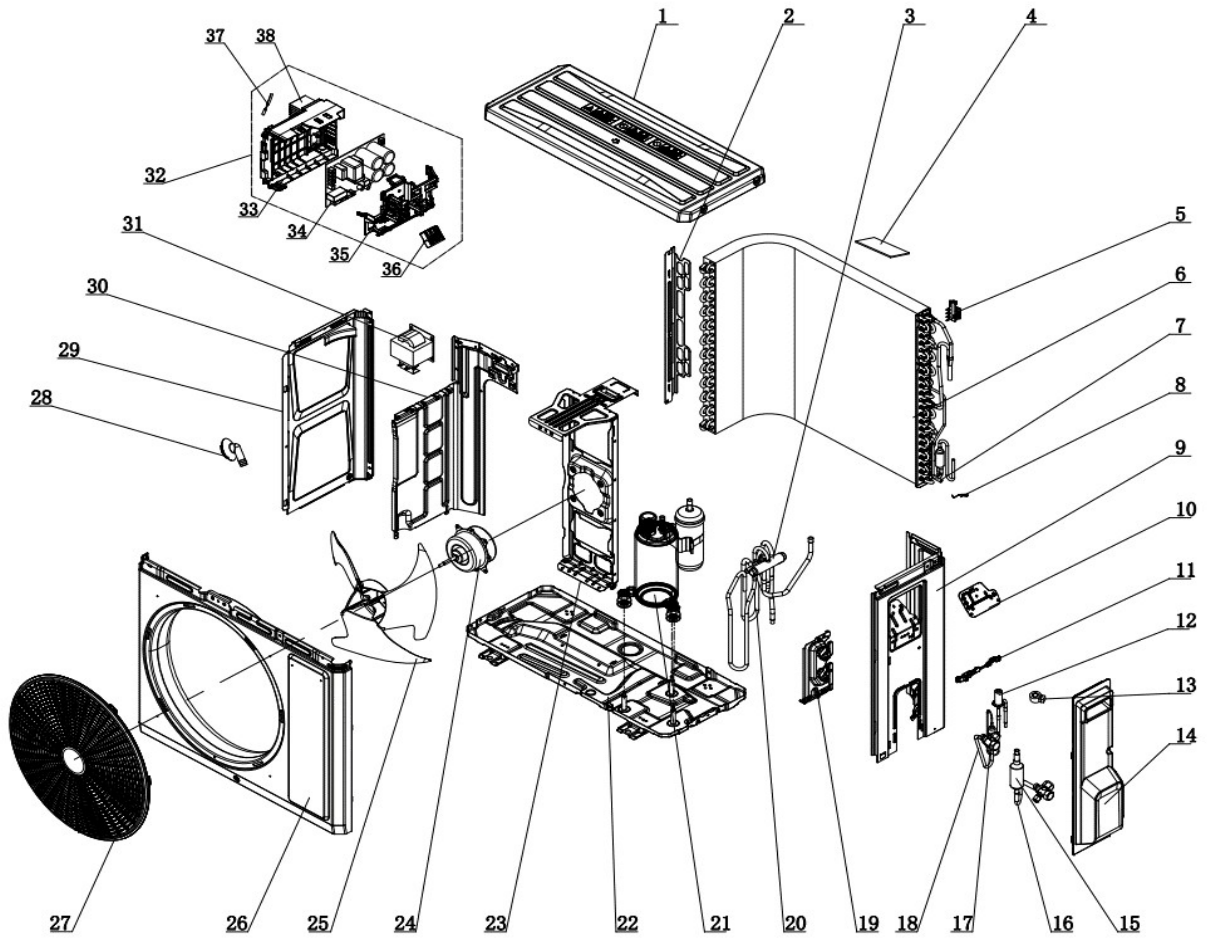


SOH-09BIM OUTDOOR



No	Description	Part Code	Note	Qty	Price Code
MODEL: SOH-09BIM (OUTDOOR)					
1	Top Cover Assy	000097060345		1	
2	Supporting Board(Condenser)	none		0	
3	4-Way Valve	072007060004		1	
4	Sponge(Condenser)	1212309101		1	
5	Temperature Sensor Support	none		0	
6	Condenser Assy	011002061561		1	
7	Temp Sensor Sleeving	05212423		1	
8	Sensor Insert	42020063		1	
9	Right Side Plate Assy	000081060237		1	
10	Earthing Plate Sub-assy	017246000004		1	
11	Wire Clamp	200015060018		1	
12	Electronic Expansion Valve	none		0	
13	Electric Expand Valve Fitting	none		0	
14	Handle Assy	none		0	
15	Silencer	035023000009		1	
16	Cut-off valve 1/4(N)	070001060022		1	
17	Strainer (fork shape)	072111031		1	
18	Cut-off valve 3/8(N)	070001060029		1	
19	Valve Support	012044060022P		1	
20	4-Way Valve Assy	030152060657		1	
21	Compressor and Fittings	009001060605		1	
22	Chassis Sub-assy	017000060724P		1	
23	Motor Support	012048060149		1	
24	Brushless DC Motor	150104060095		1	
25	Axial Flow Fan	10333428		1	
26	Front Panle Assy	00000306052601		1	
27	Front Grill	200057060007		1	
28	Drainage Joint	26113009		1	
29	Left Side Plate	012055060397P		1	
30	Clapboard	012051060895		1	
31	Reactor	none		0	
32	Electric Box Assy	100002075410		1	
33	Electric Box	20001306007301		1	
34	Main Board	300027062535		1	
35	Electric Box Cover	200082060058		1	
36	Terminal Board	422000060075		1	
37	Temperature Sensor	3900030811		1	
38	Radiator	430034060108		1	
39					

The data are subject to change without notice.