

## Series A28 Two stage Thermostats

### Introduction

These thermostats are designed for various types of heating, cooling, ventilation, or air-conditioning applications. All models have two SPDT switches providing the following control possibilities:

- 2 stage heating
- 2 stage cooling
- heating/cooling with automatic changeover

Models are provided with a standard IP30 case or splashproof, dust-tight IP65 plastic case

### Description

Controls are compact with fixed differential per stage and (on most models) adjustable differential between stages. Liquid filled element provides wide range, constant differential over whole range and no influence from barometric pressure. Since the bulb contains the major portion of the total fill the thermostat may be considered as cross-ambient, capillary and cup temperature variations affect the operating point only slightly due to the small amount of fill they contain.

For quantity orders it is possible to have the below stated optional constructions

- Without case and cover for panelmounting
- Close differential per stage
- Different capillary lengths

All standard IP30 enclosure models have a universal way of adjustment. For this purpose a knob and sealing cap are enclosed.



**A28QA**  
 splashproof dust-tight thermostat with 2m  
 capillary and style 1b bulb (left).

**A28AA**  
 thermostat with style 3 element (right).

#### Feature and Benefits

<input type="checkbox"/> <b>Liquid filled sensing element</b>	No cross ambient temperature problems Constant differential over the whole range
<input type="checkbox"/> <b>Dust tight Penn switch</b>	Prevents pollution of the contacts by electrostatic influences.
<input type="checkbox"/> <b>IP65 protection class models available</b>	Suitable for outdoor applications
<input type="checkbox"/> <b>Front adjustment</b>	Less mounting space required

## Note

These controls are designed for use only as operating controls. Where an operating control failure would result in personal injury or loss of property it is the responsibility of the installer to add devices or systems that protect against, or warn of, control failure.

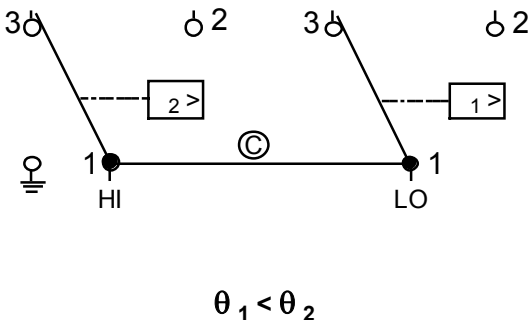
## Adjustment

Models "set low" (see also cover label):  
The dial indicates the switch point "SP1" (see switching diagram).

Models "set high" (see also cover label):  
The dial indicates the switch point "SP2" (see switching diagram)

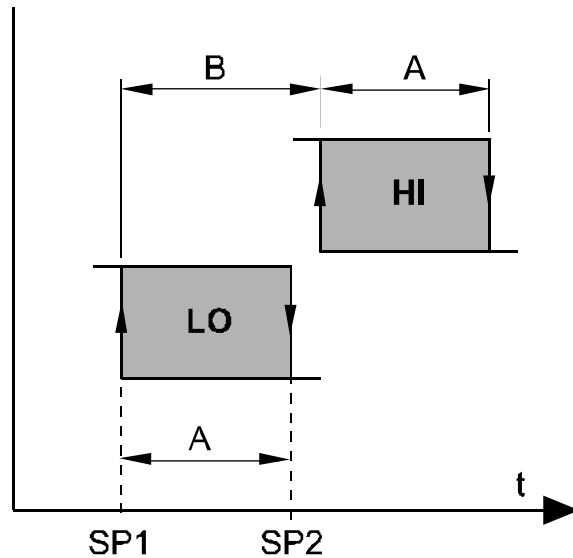
For IP30 models the standard screwdriver adjustment can be converted easily in the field to knob adjustment. Also concealing of adjustment is possible after installation.

## Contact function



**Fig. 1**  
1-2 closes on temperature increase.  
C Removable jumper.

## Switching diagram (Heating Mode)



**Fig.2**

- A** Differential per stage.
- B** Differential between the stages.
- SP1** Dial setting (for exceptions see 'SP2').
- SP2** Dial setting (range 0 to 43°C and 1 to 60°C).
- t** Temperature increase.
- LO** Low stage.
- HI** High stage.

## Repair and Replacement

Repair is not possible. In case of an improperly functioning control, please check with your nearest supplier. When contacting the supplier for a replacement you should state the type/model number of the control. This number can be found on the data plate or cover label.

## Type number selection table:

Range (°C)	Diff. per stage (K)	Diff. between stages (K)	Element style (cap. length)	Bulb size (mm)	Element finish	Setting (see page 2 adjustment)	Max. bulb temp (°C)	Bulb well (optional)	Order number
------------	---------------------	--------------------------	-----------------------------	----------------	----------------	---------------------------------	---------------------	----------------------	--------------

### Type A28AA Capillary Thermostats, General Purpose IP30

-35 to +10	2	1 to 4	1b(2m)	9.5 x 110	Tin-plated	set low	60	WEL14A602R	<b>A28AA-9006</b>
-5 to +28	1.5	1 to 4	1b(2m)	9.5 x 135	Tin-plated	set low	60	WEL14A603R	<b>A28AA-9007</b>
-5 to +28	1.5	1 to 4	1b(5m)	9.5 x 135	Tin-plated	set low	60	WEL14A603R	<b>A28AA-9106</b>
1 to 60	2	1 to 4	1b(3m)	9.5 x 115	-	set high	85	WEL14A602R	<b>A28AA-9118</b>

### Type A28AA Space thermostat

0 to +43	1.5	1 to 4	3	-	St. Steel	set high	60	-	<b>A28AA-9113</b>
----------	-----	--------	---	---	-----------	----------	----	---	-------------------

### Type A28QA Capillary Thermostats, Splashproof IP65, Dust-tight Case

-35 to +10	2	1 to 4	1b(2m)	9.5 x 110	Tin-plated	set low	60	WEL14A602R	<b>A28QA-9110</b>
-5 to +28	1.5	1 to 4	1b(2m)	9.5 x 135	Tin-plated	set low	60	WEL14A603R	<b>A28QA-9111</b>
-35 to +40	2	1 to 4	1b(3.5m)	9.5 x 110	Tin-plated	set low	60	WEL14A602R	<b>A28QA-9114</b>
1 to 60	2	1 to 4	1b(3m)	9.5 x 115	-	set high	60	WEL14A602R	<b>A28QA-9115</b>

### Type A28QA Space Thermostats, Splashproof IP65, Dust-tight Case

0 to +43	1.5	1 to 4	3	-	St. Steel	set high	60	-	<b>A28QA-9113</b>
----------	-----	--------	---	---	-----------	----------	----	---	-------------------

### Type A28QA Capillary Thermostats, Splashproof IP65, Dust-tight Case, Concealed adjustment. For use on cooling-towers evaporative condensers, or air cooled condensers

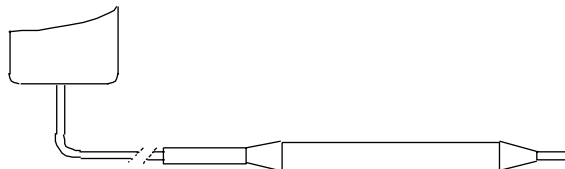
5 to 50	2	4	1b(2m)	9.5 x 110	Tin-plated	set low	100	WEL14A602R	<b>A28QA-9101</b>
---------	---	---	--------	-----------	------------	---------	-----	------------	-------------------

### Type A28QJ Capillary Thermostats, Splashproof IP65, Dust-tight Case For use on heat pumps and heat recovery units

10 to 95	1.5	1 to 4	1b(3m)	9.5 x 100	-	set low	115	WEL14A602R	<b>A28QJ-9100</b>
----------	-----	--------	--------	-----------	---	---------	-----	------------	-------------------

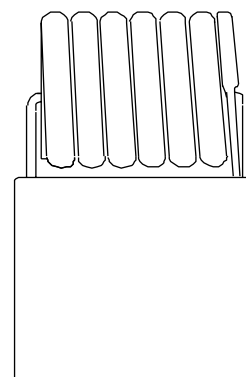
**Note:** If what you need is not in the specific type numbering selection table then please contact your representative.

## Sensor styles



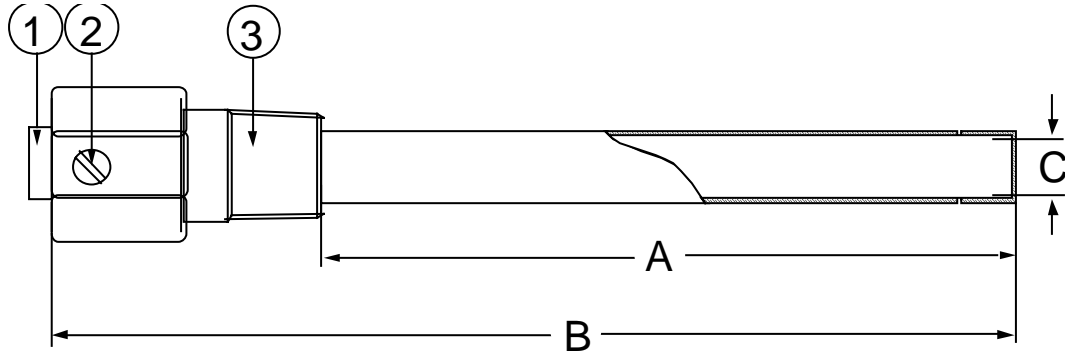
**Fig. 3**  
**Style 1b**

swaged bulb, can be used with closed-tank connector **FTG13A-600**



**Fig. 4**  
**Style 3 (coil)**

## Accessories (optional)



Order no.	Dimension A	Dimension B	Dimension C Internal
WEL14A602R	125 mm	171 mm	9.8 mm
WEL14A603R	147 mm	193 mm	9.8 mm

- 1. Bushing
  - 2. Set screw
  - 3. Adapter, 1/2"-14 NPT
- Bulb well (brass, copper pipe)**

Fig. 5

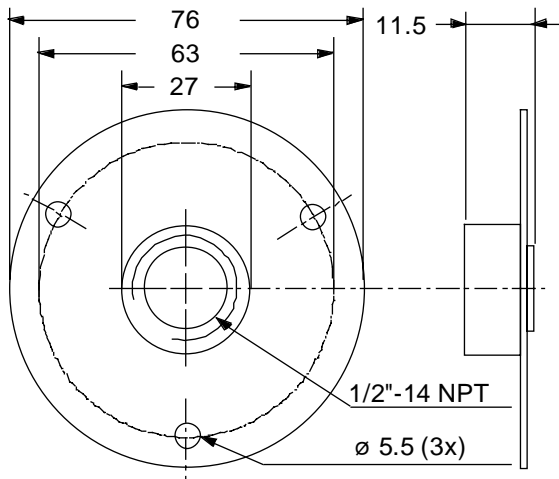
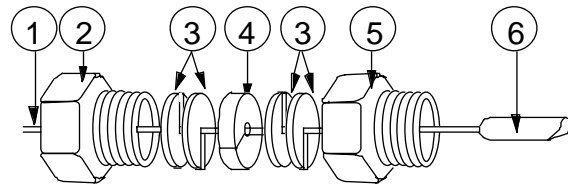


Fig. 6

**Duct flange to be used with closed-tank connector FTG13A-600R.**  
Order number T-752-1001

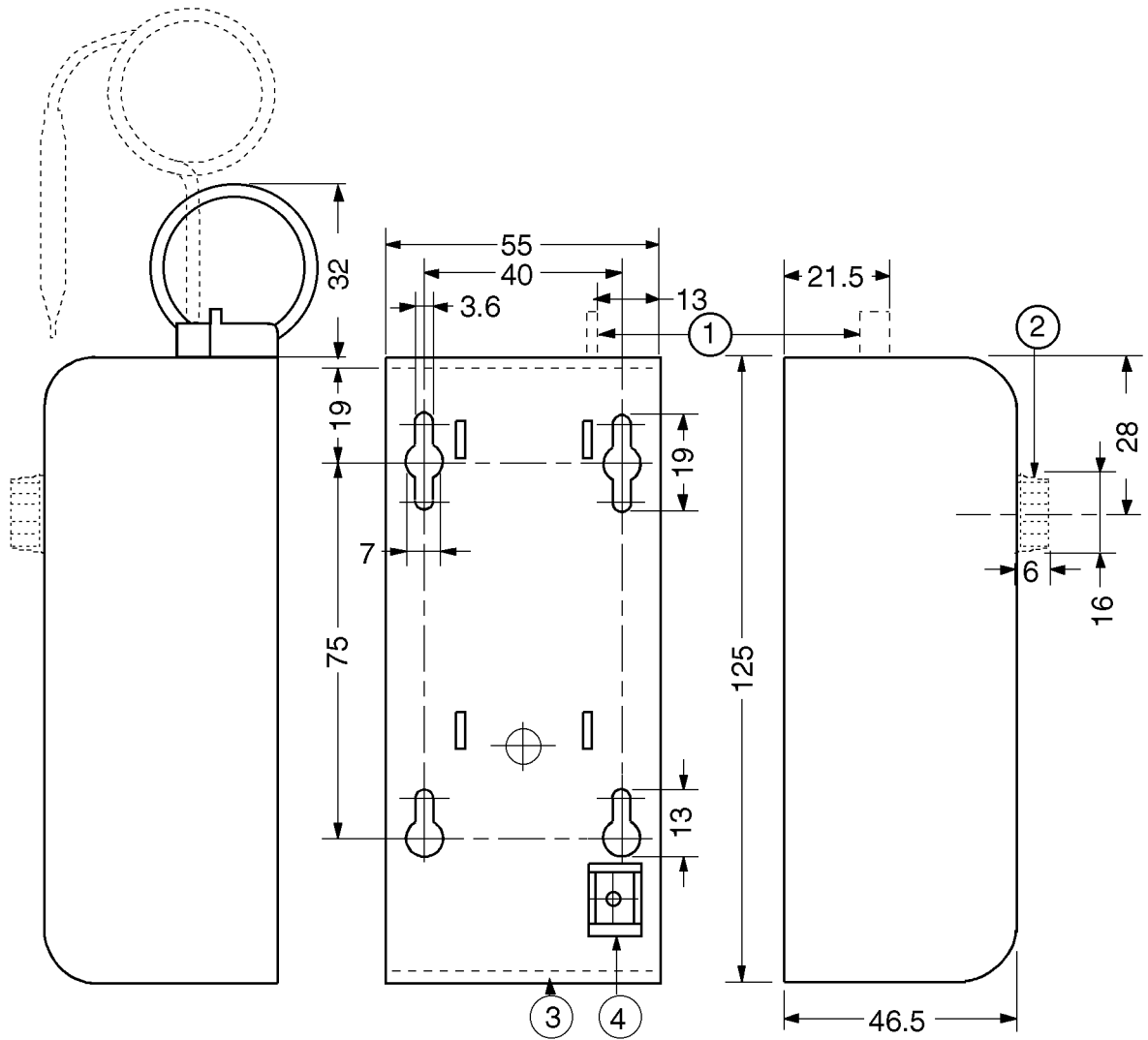


- 1. Style 1b bulb support tube
- 2. Packing nut
- 3. Washer
- 4. Packing
- 5. Adapter, 1/2"-14 NPT
- 6. Bulb

Fig. 7

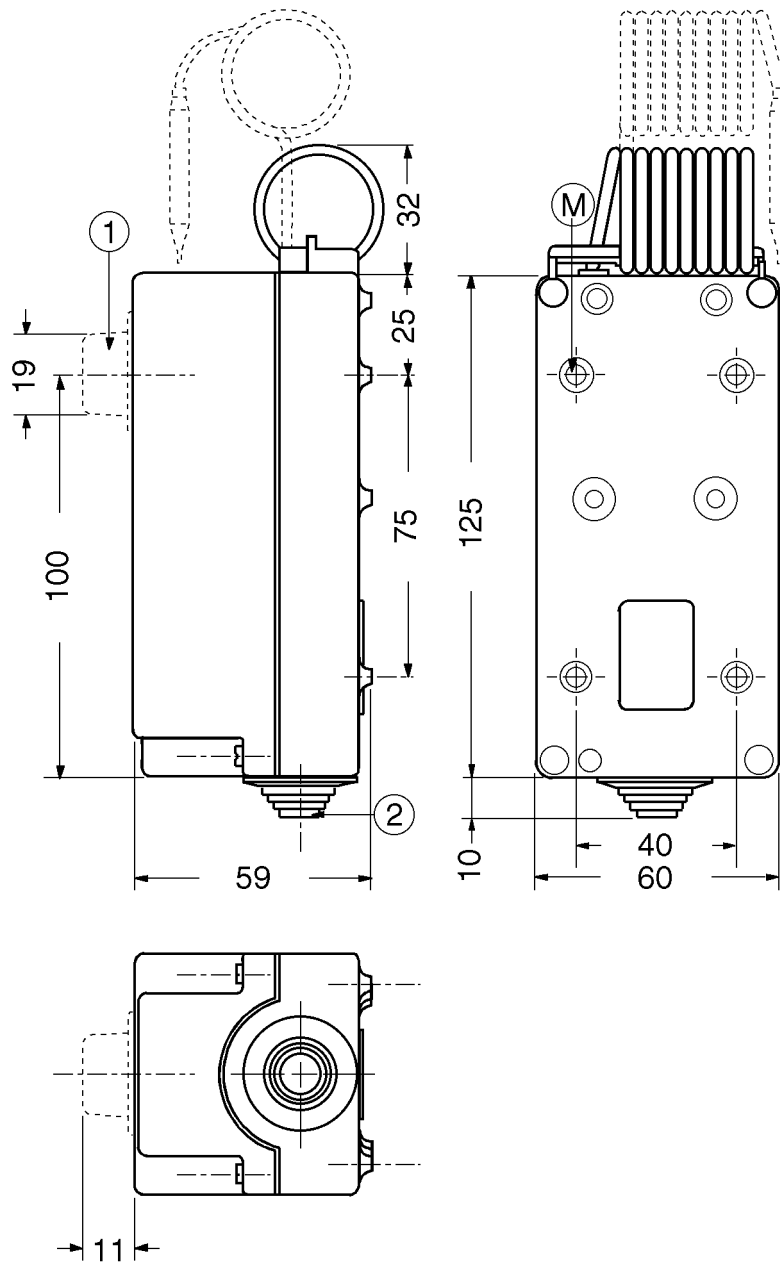
**Closed-tank connector**  
Order number FTG13A-600R

## Dimensions (mm)



**Fig. 8**  
**A28AA (standard IP30 enclosure)**

- 1 Reset lever
- 2 Knob packed separately with the control
- 3 22.3 mm dia. cable inlet hole for PG-16
- 4 Earth screw

**D**imensions (mm)

**Fig. 9**  
**A28QA/QJ (splash-proof IP65, dust-tight enclosure)**

- 1** Knob (knob models only)
- 2** Cable grommet  $\varnothing$  5 to  $\varnothing$  13 mm
- M** Mounting holes  $\varnothing$  4.5 mm use upper 2 holes only

---

# Notes

## Specifications

<b>Type number</b>	<b>A28AA</b> (standard IP30 enclosure)		<b>A28QA/QJ</b> (splashproof, dust-tight IP65 enclosure)	
<b>Element style</b>	Style 1b bulb element	Style 3	Style 1b bulb element	Style 3
<b>Application</b>	General purpose -	Space -	General purpose  Cooling towers and air-cooled condensers	Space (out-door and agriculture) -
<b>Operating ranges</b>	See type number selection table			
<b>Differentials</b>	See type number selection table			
<b>Adjustment</b>	Universal	-	External knob (general purpose) Concealed under cover (cooling-tower and air-cooled condensers) Controls with adjustable differential between stages have an adjustment lever under the cover	
<b>Material Case Cover</b>	1.75 mm cold-rolled zinc plated steel 1.5 mm ABS plastic		Polycarbonate Blue-colour finish Polycarbonate Blue-colour finish	
<b>Conduit opening</b>	22.3 mm dia. hole for PG16		Cable grommet. Conduit opening also applicable for PG16 connector	
<b>Amb. temp. limits</b>	-35 to +55°C		-35 to +55°C	
<b>CE Conformity</b>	According to low voltage directive and EMC directive			
<b>Electrical ratings</b>	~15(5)A 230V		~15(5)A 230V (A28QJ: ~15(3)A 230V)	
<b>Enclosure</b>	IP30		IP65	
<b>Shipping weight</b>	<b>ind. pack</b> 0.4 kg	<b>overpack</b> 10 kg (24 pcs.)	0.5 kg 12 kg (24 pcs.)	

*The performance specifications are nominal and conform to acceptable industry standards. For applications at conditions beyond these specifications, consult the local Johnson Controls office or representative. Johnson Controls shall not be liable for damages resulting from misapplication or misuse of its products.*



### Johnson Controls International, Inc.

Headquarters: Milwaukee, WI, USA  
 European Headquarters: Westendhof 8, 45143 Essen, Germany  
 European Factories: Lomagna (Italy), Leeuwarden (The Netherlands) and Essen (Germany)  
 Branch Offices: Principal European Cities.  
 This document is subject to change

Printed in Europe