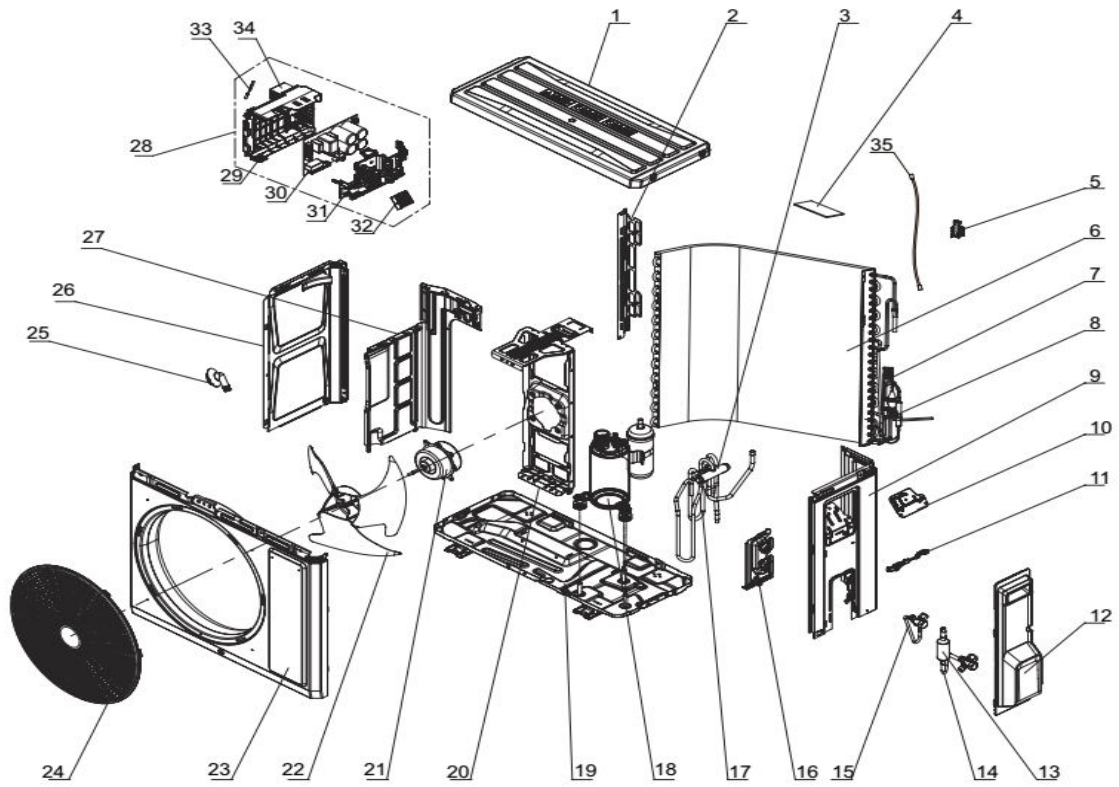


SOH-09BIR



No	Description	Part Code	Note	Qty	Price Code
MODEL: SOH-09BIR Outdoor unit					
1	Coping	01204906008701P		1	AN
2	Supporting Board(Condenser)	12072061032		1	AE
3	4-Way Valve	430004022		1	AX
4	Sponge(Condenser)	1212309101		1	AB
5	Temperature Sensor Support	24213042		1	AB
6	Condenser Assy	11002061456		1	BC
7	Capillary Sub-Assy	-			
8	Sensor Insert	42020063		1	AD
9	Right Side Plate	01205606031101P		1	AL
10	Earthing Plate Sub-assy	12002060009		1	AC
11	Wire Clamp	71010103		2	AB
12	Handle Assy	223000006		1	AD
13	Silencer	7243067		1	AF
14	Cut off Valve 1/4 (N)	7000106001501		1	AK
15	Cut off Valve 3/8 (N)	3005706023901		1	AM
16	Valve Support	012044060018P		1	AE
17	4-Way Valve Assy	30152060486		1	AU
18	Compressor and Fittings	9001060484		1	BG
19	Chassis Sub-assy	017000060511P		1	AR
20	Motor Support	1204806011103		1	AH
21	Brushless DC Motor	1501308517		1	AT
22	Axial Flow Fan	10333428		1	AG
23	Cabinet	012022060007P		1	AR
24	Front Grill	200057060007		1	AF
25	Drainage Joint	26113009		1	AD
26	Left Side Plate	012055060256P		1	AK
27	Clapboard Sub-Assy	17021060544		1	AK
28	Electric Box Assy	100002070249		1	
29	Electric Box	-			
30	Main Board	300027061382		1	BC
31	Electric Box Cover	200082060058		1	AD
32	Terminal Board	422000060016		1	AG
33	Temperature Sensor	3900030907		1	AK
34	Radiator	430034060108		1	AM
35	Connecting Cable	-			
/	Temp Sensor Sleeving	5212423		1	AC
/	Strainer A	721002201		1	AD
/	4-way valve coil	4300040072		1	AG

The data are subject to change without notice.