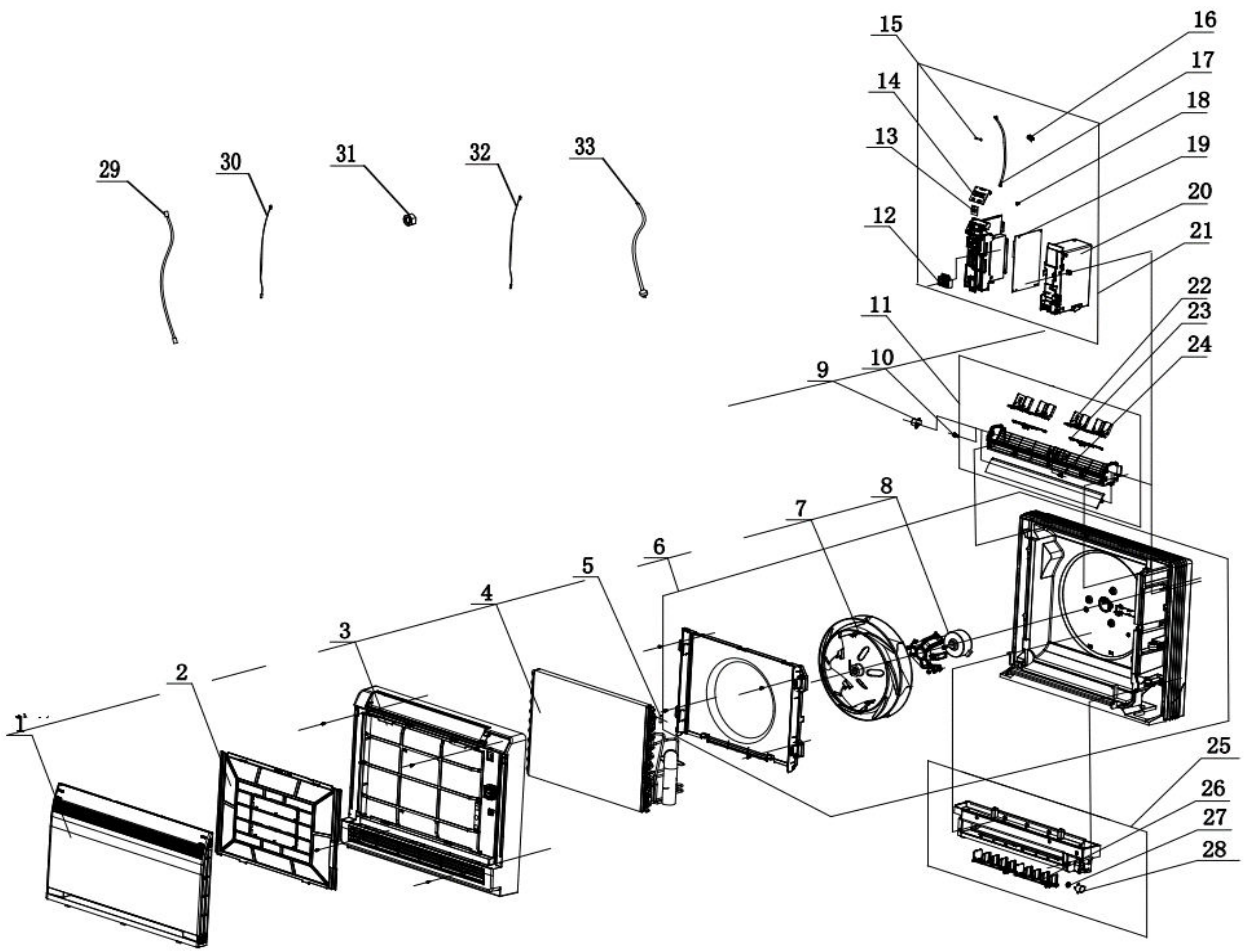


MV-P09BI



No	Description	Part Code	Note	Qty	Price Code
<b>MODEL: MV-P09BI</b>					
1	Front Panel Assy	20012756_L41851		1	AS
2	Filter Sub-Assy	11122139		1	AK
3	Front Case Assy	20012601		1	AQ
4	Evaporator Assy	01100100160		1	BH
5	Temp Sensor Sleevng	05212423		1	AB
6	Rear Case assy	000001000051		1	BL
7	Centrifugal Fan	10312005		1	AY
8	Brushless DC Motor	1570410001201		1	BA
9	Stepping Motor	1521210805		1	AG
10	Crank	73012005		1	AB
11	Swing Assy	10102042		1	AP
12	Terminal Board	422000000022		1	AB
13	Switch Board	30112007		1	AH
14	Display Board	30568131		1	AM
15	Fuse	46010055		1	AB
16	Radiator	none		0	-
17	Signal Wire	4003004202		1	AG
18	Jumper	4202300111		1	AA
19	Main Board	300002000631		1	AY
20	Electric Box	20112116		1	AH
21	Electric Box Assy	100002002848		1	BC
22	Air Louver (upper)	10512143		2	AB
23	Swing Lever	10582096		2	AB
24	Shaft of Guide Louver	10542020		2	AB
25	Water Tray Assy	20182141		1	AX
26	Air Louver (lower)	10512144		2	AE
27	Axis (lower step motor)	10542034		1	AB
28	Stepping Motor	1521210101		1	AG
29	Connecting Cable	4002052317		1	AP
30	Temperature Sensor	390000591		1	AD
31	Pipe Connection Nut accessories	none		0	-
32	Temperature Sensor	3900004508		1	AD
33	Power Cord	none		0	-

The data are subject to change without notice.