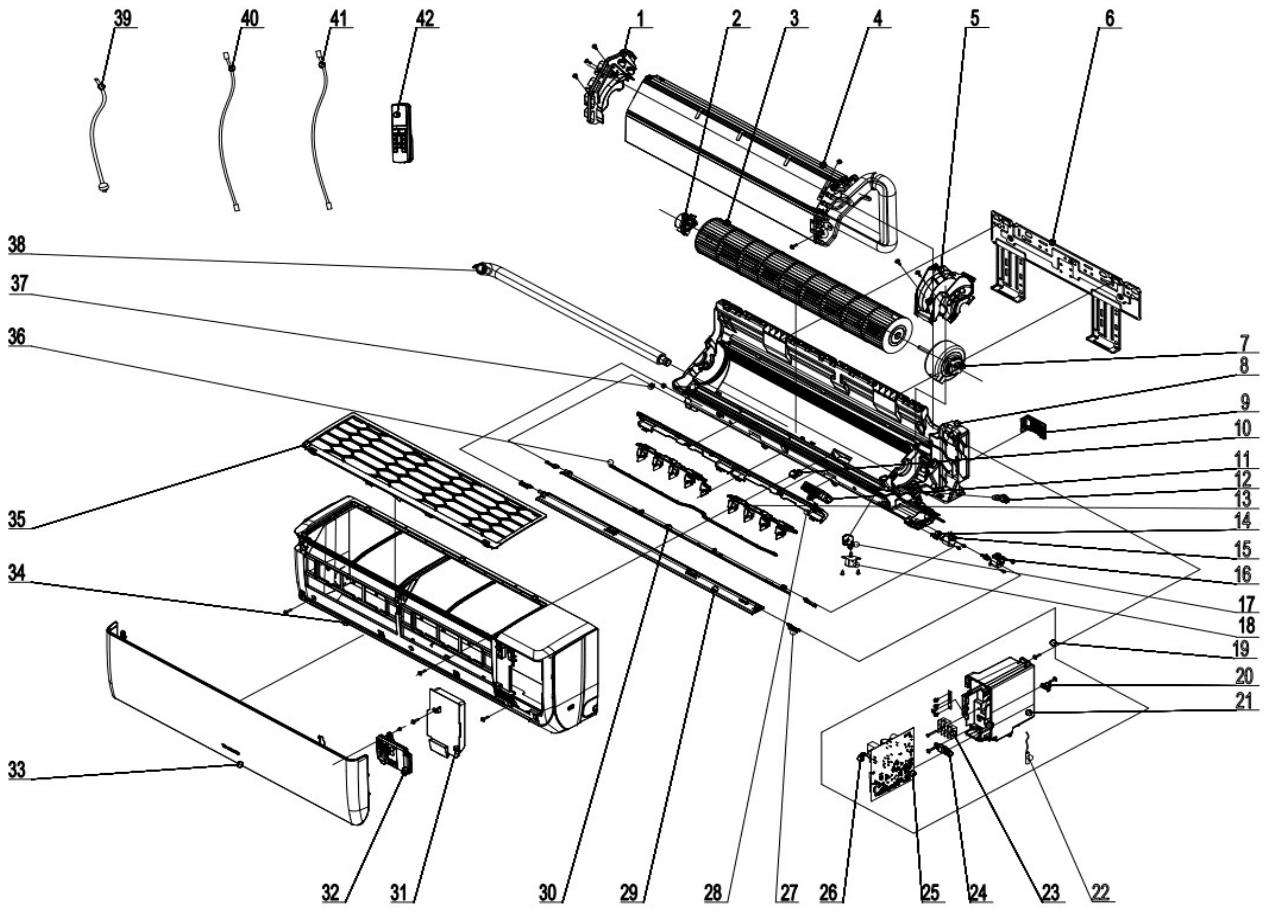


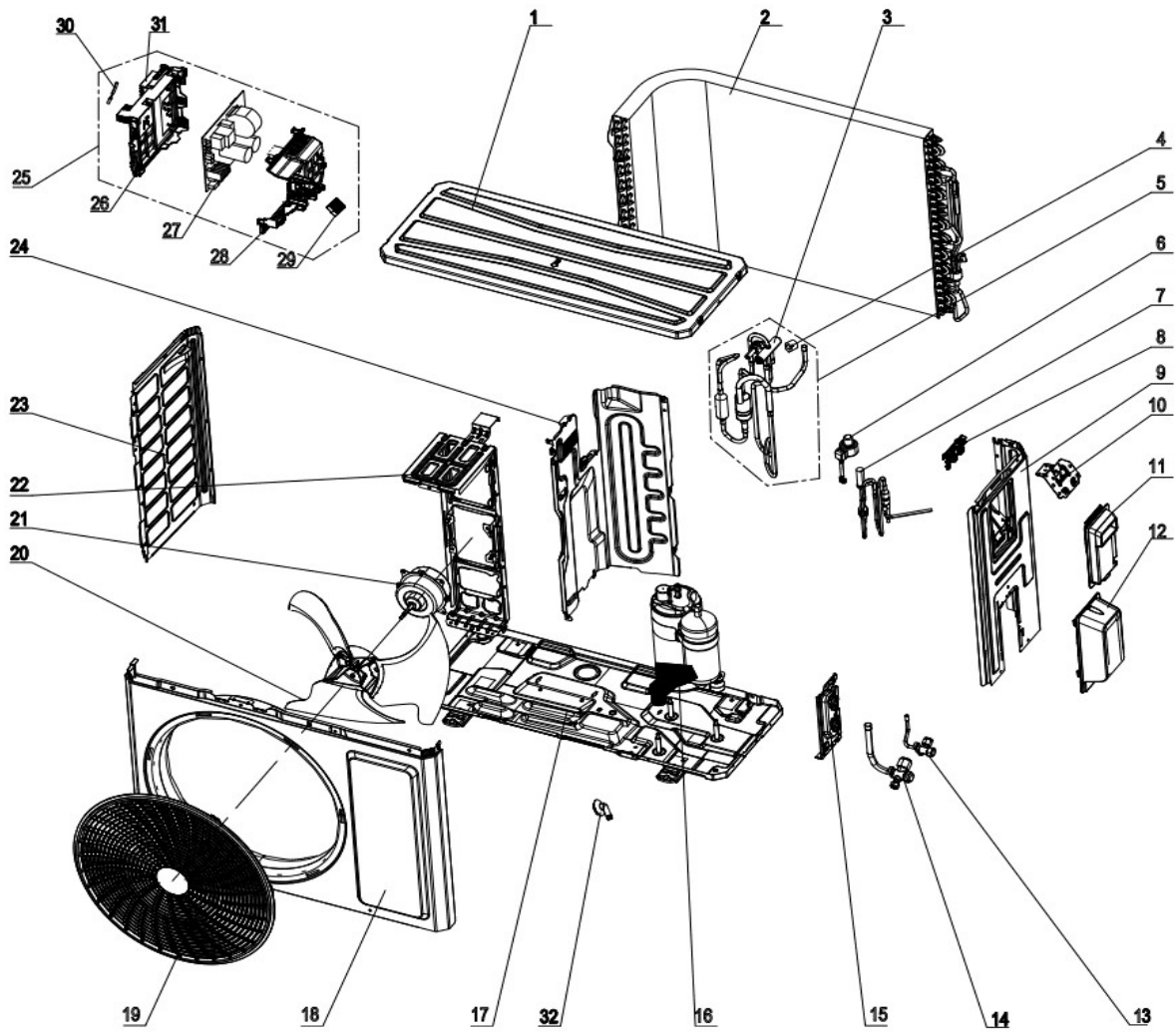
SIH-18BIM INDOOR



No	Description	Part Code	Note	Qty	Price Code
<b>MODEL: SIH-18BIM (INDOOR)</b>					
1	Evaporator Support	200025060013		1	
2	Axile Bush Sub-assy	10542047		1	
3	Cross Flow Fan	103001060017		1	
4	Evaporator Assy	011001060868		1	
5	Motor Press Plate	200020060007		1	
6	Wall Mounting Frame Sub-assy	012043060008		1	
7	Brushless DC Motor	15010406008801		1	
8	Rear Case	2220015302		1	
9	Connecting pipe clamp	200017060004		1	
10	Screw Cover	20000506001701P02		2	
11	Plasmacluster Ion	430001060002		1	
12	Rubber Plug (Water Tray)	76712012		1	
13	Air Louver 1	200007060051		2	
14	Crank	200023060004		2	
15	SteppingMotor	1521210710		1	
16	Stepping Motor	1521200606		1	
17	Air Louver	200007060052		1	
18	Stepping Motor	1521210704		1	
19	Electric Box Assy	100002075091		1	
20	Wire Clip	none		0	
21	Electric Box	200013060061		1	
22	Temperature Sensor	3900031302		1	
23	Terminal Board	422000000022		1	
24	Cable Clamp 2	71012065		1	
25	Main Board	300002062882		1	
26	Jumper	4202021914		1	
27	Plug Pin	20003306000206		4	
28	Helicoid Tongue	200006060008		1	
29	Guide Louver Sub-assy	00013606011805		1	
30	Guide Louver Sub-assy	00013606013801		1	
31	Electric Box Cover	200082060050		1	
32	Display Board	300001061111		1	
33	Front Panel Assy	00000306073901_L30104		1	
34	Front Case Assy	00000206031901		1	
35	Filter Sub-Assy	11100106031401		1	
36	Swing Lever	200035060020		1	
37	Left Axile Bush	10512037		2	
38	Drainage Hose	05230014		1	
39	Power Cord	none		0	
40	Connecting Cable	4002052317		0	
41	Connecting Cable	none		0	
42	Remote Controller	305001060159_115041		1	

The data are subject to change without notice.

# SOH-18BIM OUTDOOR



No	Description	Part Code	Note	Qty	Price Code
<b>MODEL: SOH-18BIM (OUTDOOR)</b>					
1	Top Cover Assy	000097060355		1	
2	Condenser Assy	011002061794		1	
3	4-Way Valve	072007060013		1	
4	Magnet Coil	4300040072		1	
5	4-Way Valve Assy	030152060719		1	
6	Electric Expand Valve Fitting	07200206002214		1	
7	Electronic Expansion Valve	072009000017		1	
8	Wire Clamp	200015060019		1	
9	Right Side Plate Assy	000081060195		1	
10	Earthing Plate Sub-assy	017246000004		1	
11	Handle (Right)	200149060023		1	
12	Valve Cover	200087060004		1	
13	Cut-off valve 1/4(N)	070001060022		1	
14	Cut-off valve 1/2(N)	070001060024		1	
15	Valve Support	012044060022P		1	
16	Compressor and Fittings	009001060655		1	
17	Chassis Sub-assy	017000060759P		1	
18	Cabinet	012022060010P		1	
19	Front Grill	200057060022		1	
20	Axial Flow Fan	103002060015		1	
21	Brushless DC Motor	150104060095		1	
22	Motor Support Assy	000046060148		1	
23	Left Side Plate	012055060395P		1	
24	Clapboard Assy	000075060126		1	
25	Electric Box Assy	100002075108		1	
26	Electric Box	20001306010101		1	
27	Main Board	300027062459		1	
28	Controller Cover	200066060035		1	
29	Terminal Board	422000060075		1	
30	Temperature Sensor	3900030813		1	
31	Radiator	43003406014203		1	
32	Drainage Joint	26113009		1	

The data are subject to change without notice.