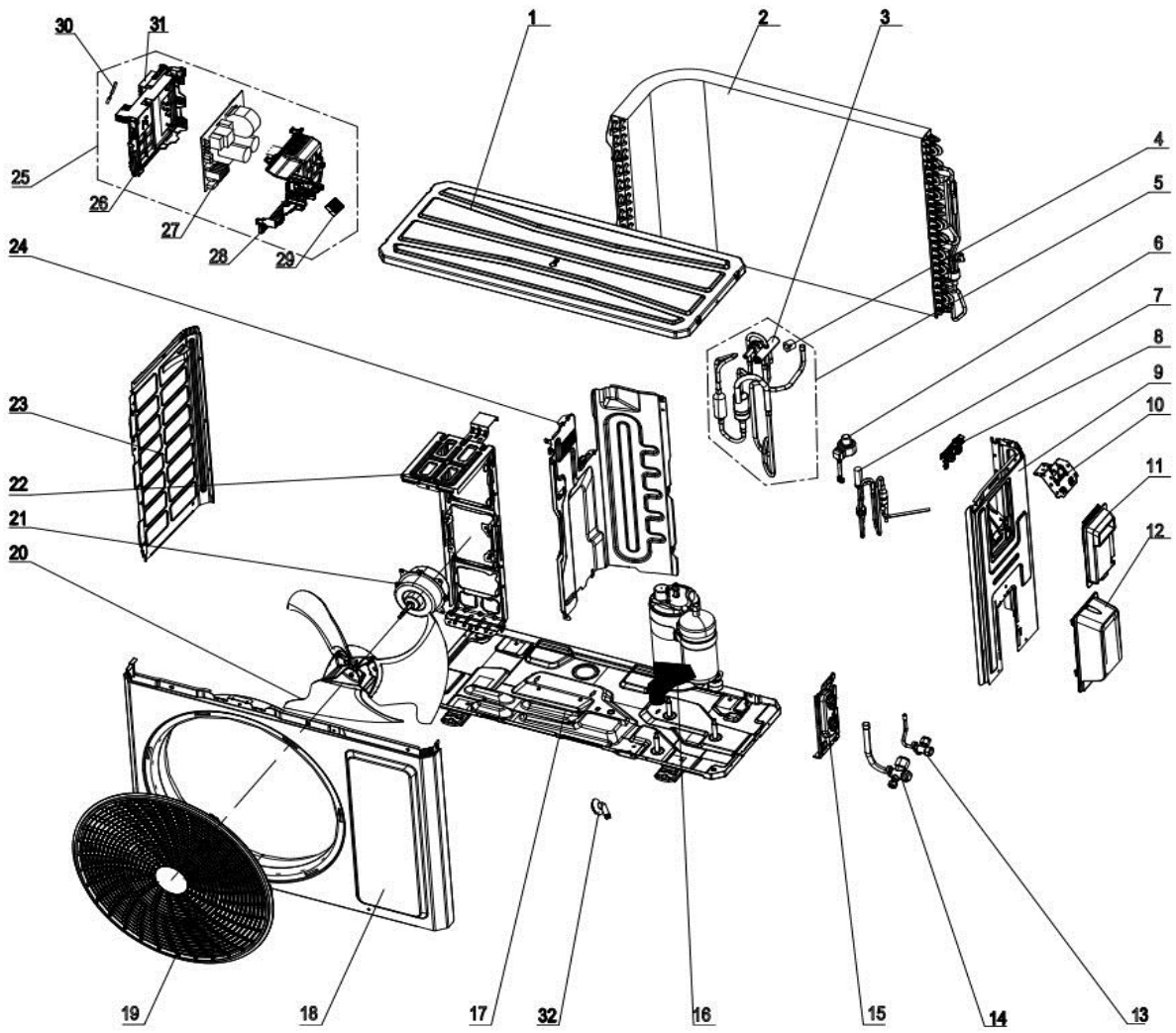


SOH-24BIM OUTDOOR



No	Description	Part Code	Note	Qty	Price Code
MODEL: SOH-24BIM (OUTDOOR)					
1					
2	Condenser Assy	01100206208501		1	
3					
4					
5	4-Way Valve Assy	030152061032		1	
6	Electric Expand Valve Fitting	07200206002309		1	
7	Electronic Expansion Valve	072009060006		1	
8					
9	Right Side Plate Assy	00008106021504		1	
10					
11	Handle	200149060018		1	
12	Valve Cover	200087060005		1	
13	Cut-off valve 1/4(N)	070001060022		1	
14	Cut-off valve 5/8(N)	070001060032		1	
15	Valve Support	012044060032P		1	
16	Compressor and Fittings	009001060621		1	
17	Chassis Sub-assy	01700006076102P		1	
18	Front Panel	012073061611P		1	
19	Front Grill	200057060025		1	
20	Axial Flow Fan	10335262		1	
21	Brushless DC Motor	50104060103		1	
22	Motor Support	012048060145		1	
23	Left Side Plate	012055060393P		1	
24	Clapboard Assy	000075060128		1	
25	Electric Box Assy	100002076097		1	
26	Electric Box	20001306008501		1	
27	Main Board	300027062634		1	
28	Electric Box Cover	20008206006801		1	
29	Terminal Board	422000060075		1	
30	Temperature Sensor	3900030912		1	
31	Radiator	43003406011601		1	
32	Drainage Joint	26113009		1	
33	Drainage hole Cap	06813401		3	
34	Coping	012049060117P		1	
35	Condenser Left Border Plate	012009060263		1	

The data are subject to change without notice.